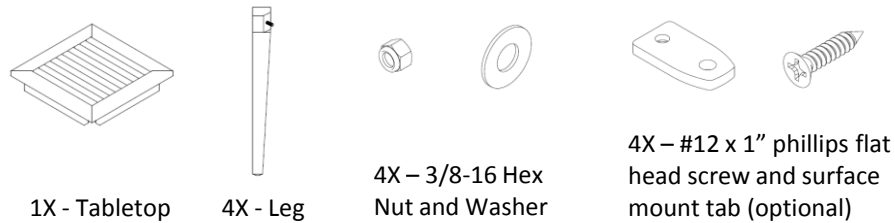


**Included components:**



**Tools required:**

- 11/16" or 17mm wrench
- Phillips head screw driver
- Hand drill with  $\varnothing 11/64$ " drill bit, if optional surface mount is specified.
- Optional surface mount brackets each have (1)  $\varnothing 3/8$ " hole for  $\varnothing 5/16$ " max anchor. Non-corrosive anchoring hardware not included.

**Installation:**

1. Set tabletop upside down on non-marring surface.
2. Install legs as shown in Fig. 1. Legs have glides factory-installed.

**For Freestanding:**

1. Set table in position. If the table is resting on an uneven surface, there is some vertical adjustment in the legs. Loosen the hex nut on the leg to be adjusted and move the leg vertically until the unit is stable. Retighten the hex nut.

**For Surface Mount:**

1. Remove glides as shown in Fig. 2.
2. Drill  $\varnothing 11/64$ " pilot holes to 1" depth as shown in Fig. 3.
3. Install surface mount tabs as shown in Fig. 4.
4. Set table in position. Adjust legs vertically if necessary (see Step 1 for Freestanding)
5. Mark hole locations through anchor tabs.
6. Move table and drill holes according to anchor manufacturer's recommendations.
7. Set table back in position and install anchors.

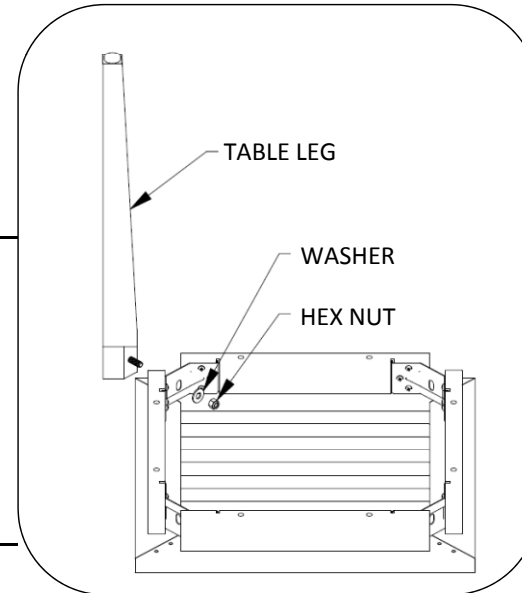


Fig. 1 – Tabletop attachment hardware

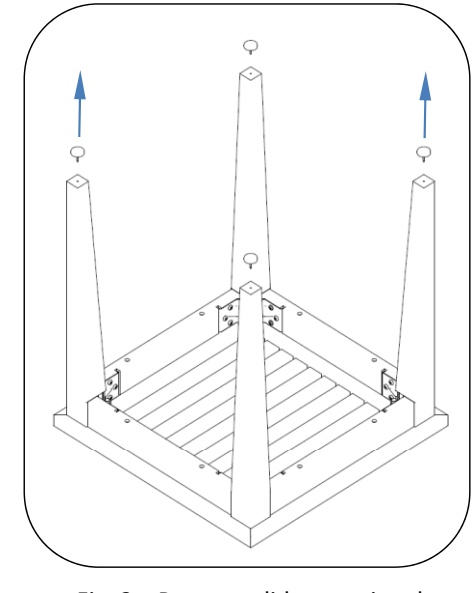


Fig. 2 – Remove glides - optional

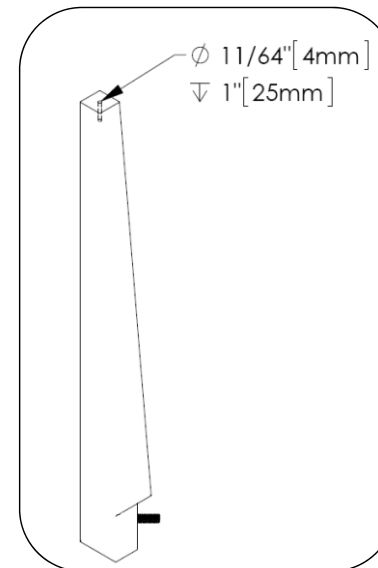


Fig. 3 – Drill hole - optional

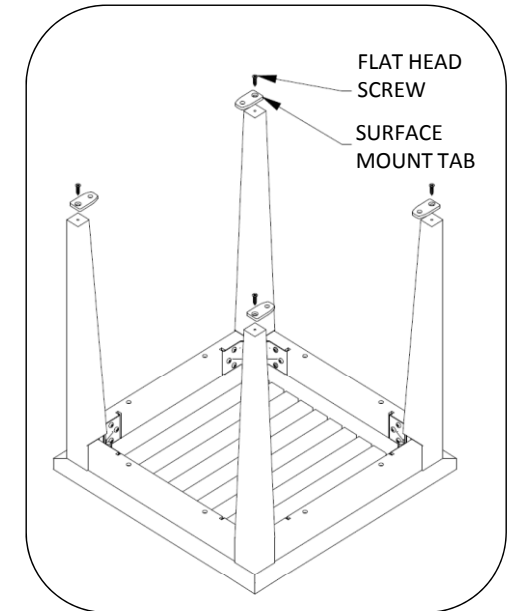


Fig. 4 – Install surface mount tabs - optional