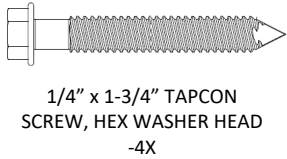


- INSTALLATION:**
1. Set unit in position.
 2. Mark hole locations (2 per end support frame)
 3. Move unit and drill holes, see Fig. 1.
 4. Clear holes of debris using wire brush and compressed air.
 5. Set unit in position and install anchors, see Fig. 2.

Included components:



Tools required:

- Concrete bench or wall as base for Universe System bench
- 5/16" socket
- 7/16" dia drill bit for concrete/masonry

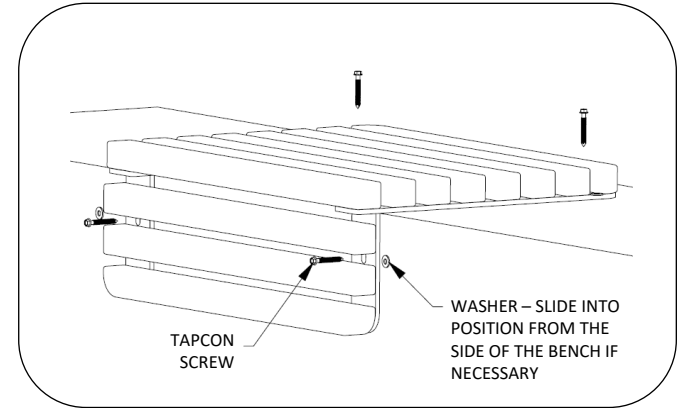


Fig. 2 – install anchors

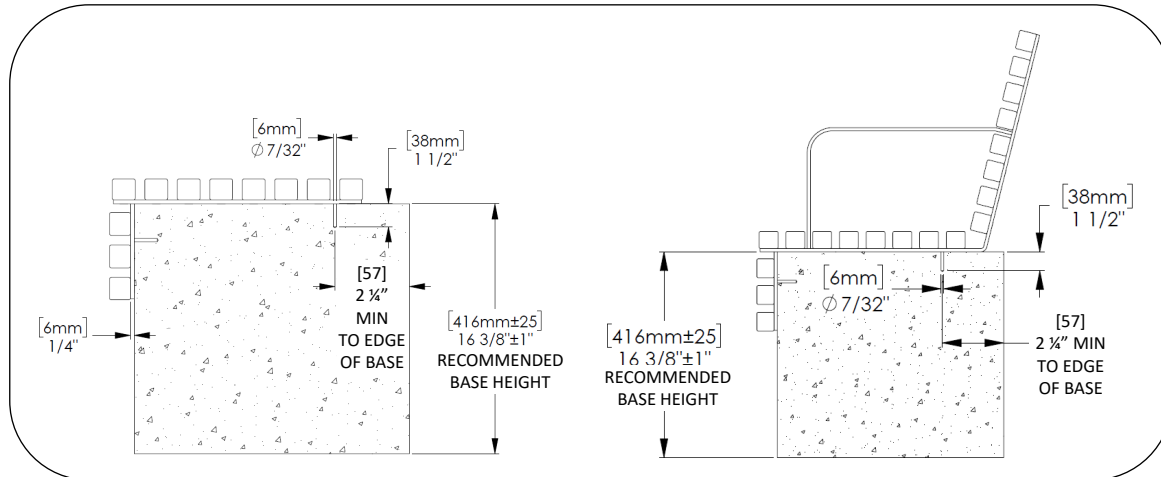


Fig. 1 – anchor hole size