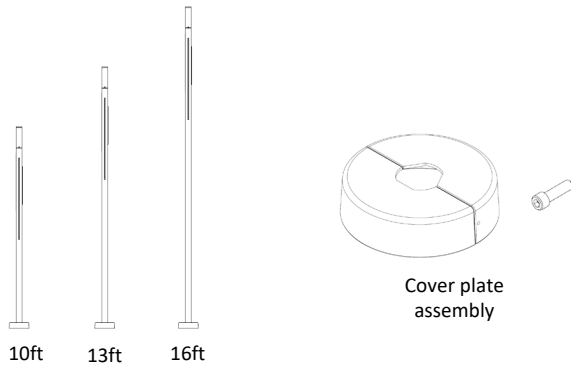


Included components



Tools Required

- Safety glasses
- Wrenches, 1-1/4"
- Wiring tools and connectors
- Level
- Hex keys, long-handled 3/16"
- Wrench, 3/4", for utilizing hinge mechanism
- Twist lock photo eye, if required

ASSEMBLE WITH CARE! Pangard II® Polyester Powdercoat is a strong, long-lasting finish. To protect this finish during assembly, place unwrapped powdercoated parts on packaging foam or other non-marring surface. Do not place or slide powdercoated parts on concrete or other hard or textured surface – this will damage the finish causing rust to occur. Use touch-up paint on any gouges in the finish caused by assembly tools.

Important: Read all installation instructions before proceeding.

Landscape Forms is not responsible for site preparation and footings. Refer to the installation guide for the Typology Stick Light anchor kit for installing the anchor bolts.

WARNING! LED cartridge and driver are not rated for connection or disconnection while energized. Doing so may damage LEDs and will void the warranty. Disconnect incoming power before making or breaking any electrical connections.

INSTALLATION INSTRUCTIONS:

Line-in wiring connections are made at the bottom of the pole. The pole does not have a handhole for wiring access.

1. Refer to Stick Light Anchor Kit Installation Guide for anchor installation. Cut conduit to max height indicated on Fig. 2. Clearance for installed pole to be rotated to access wiring should be considered when placing anchors, see Fig. 1.
2. Set pole near anchors, on protective padding.
3. Connect line-in voltage wires to pre-installed wires in pole, see Fig. 3. Waterproof wiring connectors provided by others.
4. Connect incoming ground wire to grounding lug in base of pole, see Fig. 3.
5. Install component in twist-lock receptacle, if specified.
6. Set pole in position over anchors, inserting excess wiring and connectors into base of pole as high as possible, taking precautions not to pinch wiring.
7. Install (4) washer and (4) hex nuts. Tighten securely. Cut anchors to max height indicated on Fig. 2 to allow for pole rotation for future access to wiring.
8. Install cover plate, see Fig. 4.

HINGE OPERATING INSTRUCTIONS:

To access wiring after pole has been installed and wiring connections have been made:

1. Remove cover plate.
2. Remove front hex nuts and washers, see Fig. 5.
3. Remove (2) side hex bolts and locking washers, see Fig. 5.
4. Carefully rotate pole to access wiring, see Fig. 6.
5. Rotate pole back into upright position.
6. Install front hex nuts and washers loosely.
7. Install side hex bolts and locking washers and tighten fully.
8. Tighten front hex nuts and washers.
9. Reinstall cover plate.

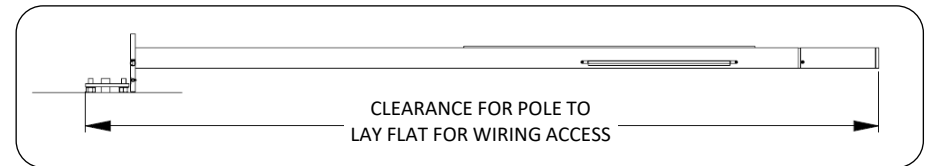


Fig. 1 - Installation clearance for pole

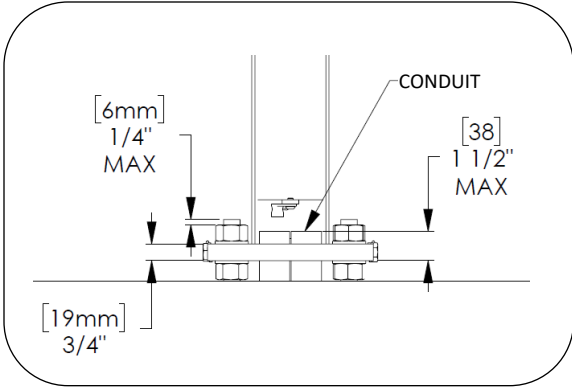


Fig. 2 – MAX conduit and anchor bolt heights

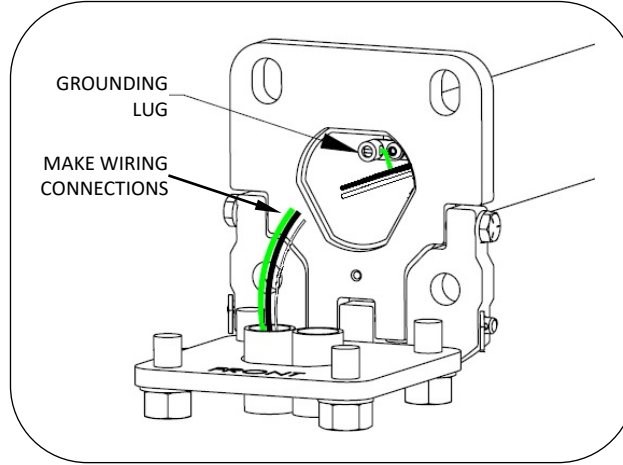


Fig. 3 - Make wiring connections

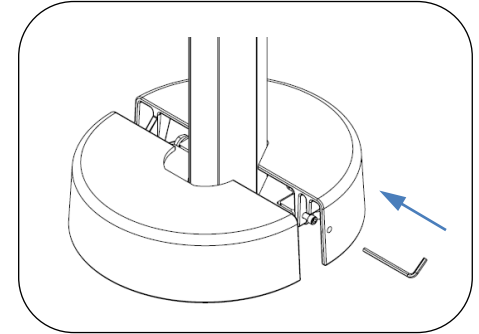


Fig. 4 – Install cover plate

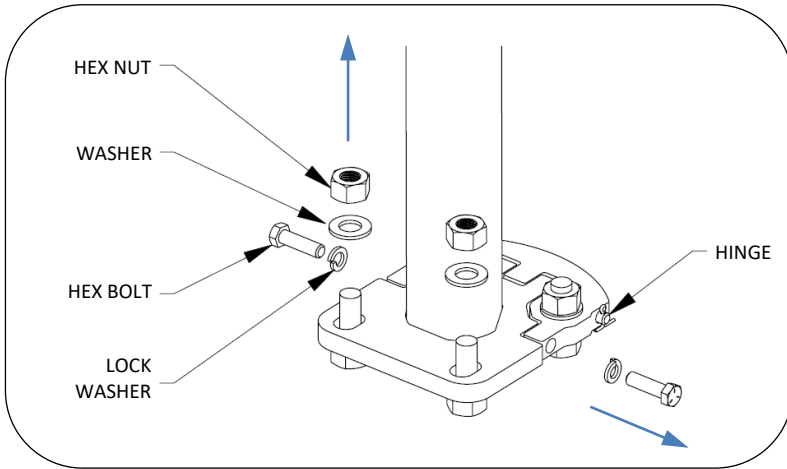


Fig. 5 – Remove locking bolts to utilize hinge

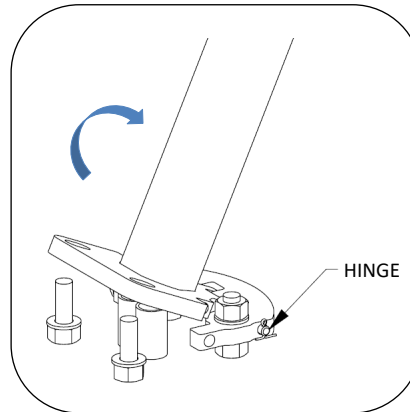


Fig. 6 – rotation of pole

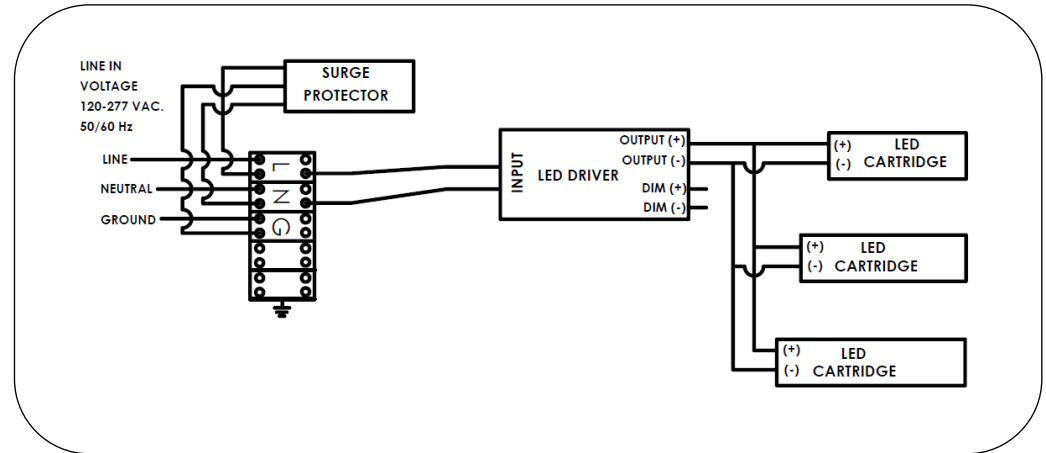
PROCEDURE FOR WIRING:

The Typology Stick light is fully assembled at the factory. The LEDs will not need to be removed during installation. Use of LED drivers other than the supplied unit is not recommended and will void the warranty.

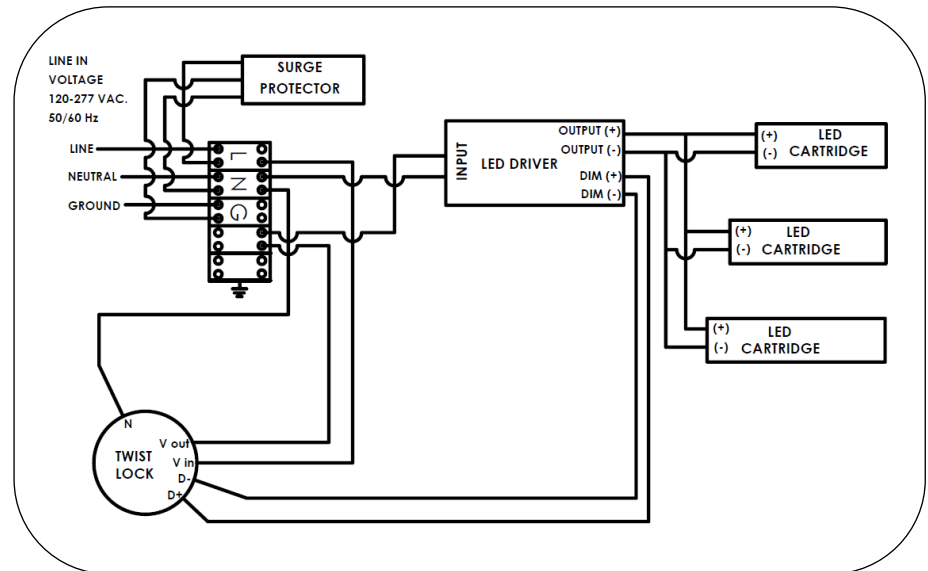
The wiring schematics are to be used to connect the unit to line voltage. It is the responsibility of the installer to make sure that all connections are made in accordance with the NEC and local building codes. Connection hardware not included.

Line-in wires should be connected as shown. Optional dimming control is not included.

WARNING: LED units and driver are not rated for connection or disconnection while energized. Doing so may damage LEDs and will void the warranty. Disconnect incoming power before making or breaking any electrical connections.

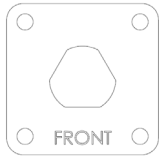


WIRING DIAGRAM: no twist lock

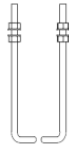


WIRING DIAGRAM: with twist lock

Included components



1x – wooden drill template



Anchor kit

Included: hardware is galvanized

- (4) anchor bolts, 3/4"-10 x 17" x 3" hook ,
- (8) heavy hex nuts, 3/4" x 10, (8) flat washers, .81 ID" x 1.5" OD x 0.13" thick

Tools Required

- Safety glasses
- Wrenches, 1-1/4"
- Level

LIGHTING LAYOUT RECOMMENDATIONS:

Refer to the product data sheet available at www.landscapeforms.com for recommendations for light pole spacing.

Landscape Forms is not responsible for site preparation and footings. The following chart gives necessary information for calculating proper footing size, depending on the specified light pole.

Pole Size	Base Overturning Moment (ft-lbf)	Base Shear (lbf)
10ft	551	110
13ft	925	142
16ft	1395	174

*Calculations per AASHTO 1994, assuming base of the pole is at grade level, with 90mph fastest mile wind speed with 1.3 gust max.

INSTALLATION PROCEDURE FOR ANCHOR BOLTS:

1. Prepare footing as required by local codes.
2. Install anchor hooks, hex nuts, washers and wooden template as shown in Fig 2. Level template in all directions. **Note:** template thickness is less than base plate thickness. Dimensions given account for the difference.
3. After footing has properly cured, remove wooden template. Do not remove lower hex nuts or washers.

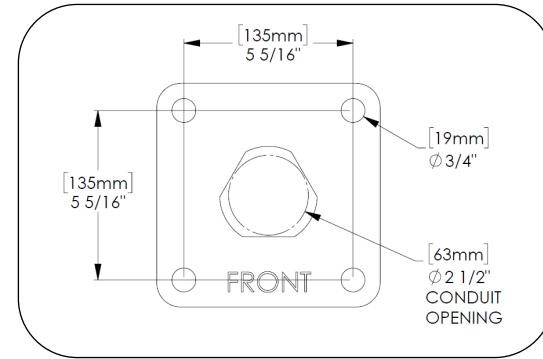


Fig. 1 – wooden template

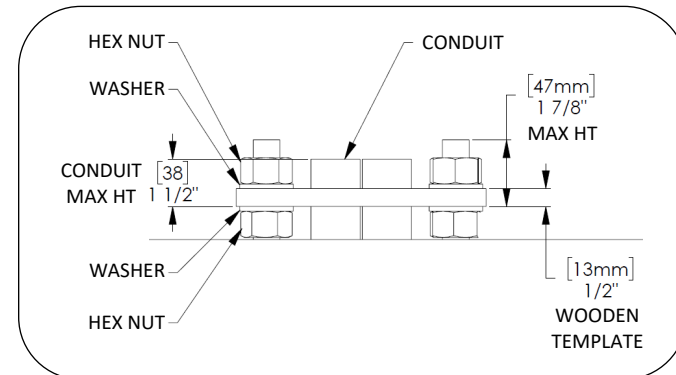


Fig. 2 – MAX conduit and anchor bolt heights