

Typology Ring Light

Spec Sheet | CQ700



The Typology Collection, designed and engineered in collaboration with BMW Designworks, opens a new realm of possibility in the way the urban landscape is experienced. Intelligent, systemic engineering complements existing architecture in meaningful and practical ways - defining and connecting spaces, and intuitively guiding the movement of visitors in and among them. Typology's ring light is stunning, seemingly levitating light fixtures recognized instantly from almost a mile away. Perched atop an aluminum mast, a circular strip of LEDs creates a solid ring of ambient light that, when viewed from underneath, is like a looking glass to the sky.

Housing & Materials

Cast aluminum construction. Flexible LED light engine is clamped into fixture housing with aluminum segmented arcs. Housing features a spun aluminum gloss white powdercoat reflector. All hardware is magni-coated steel.

Electrical

Surge protected 120V through 277V 50/60Hz electronic driver, 0-10V dimming. -40°C start temperature. Cast aluminum driver housing assembly located at top of pole. Available with optional ANSI C136.41 twist lock receptacle or Wattstopper FSP-311B photo/motion sensor.

Light Engine

Fully encapsulated flexible linear LED fixture delivers downward direct and indirect lighting in conjunction with the gloss white metal reflector. A RoHS compliant circuit board is included. Available in 2700K, 3000K, 3500K, and 4000K. >90 CRI across all available color temperatures.

Distribution



TV

Warranty

LED lighting products are warranted for six years.

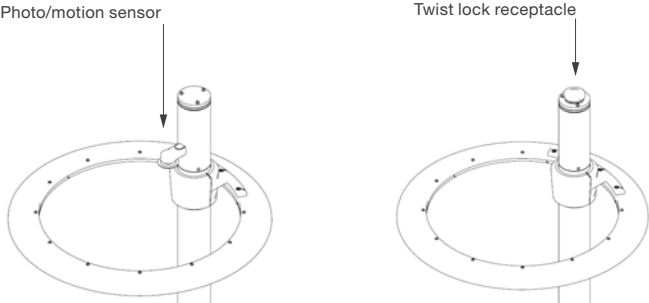
Certification

UL Listed for Wet Location, CE, International Dark Sky Approved, Buy America Compliant, RoHS Compliant

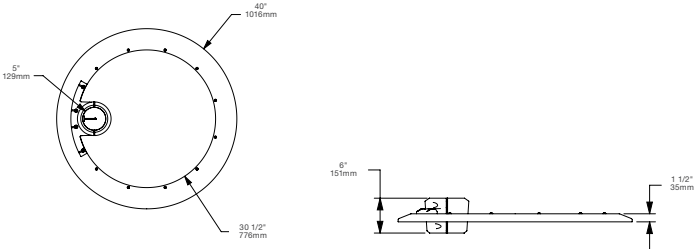


Designed by Designworks, a BMW Group company

[Click here](#) for patent information related to this product.



[Click here](#) to view the technical data sheet for the photo/motion sensor.



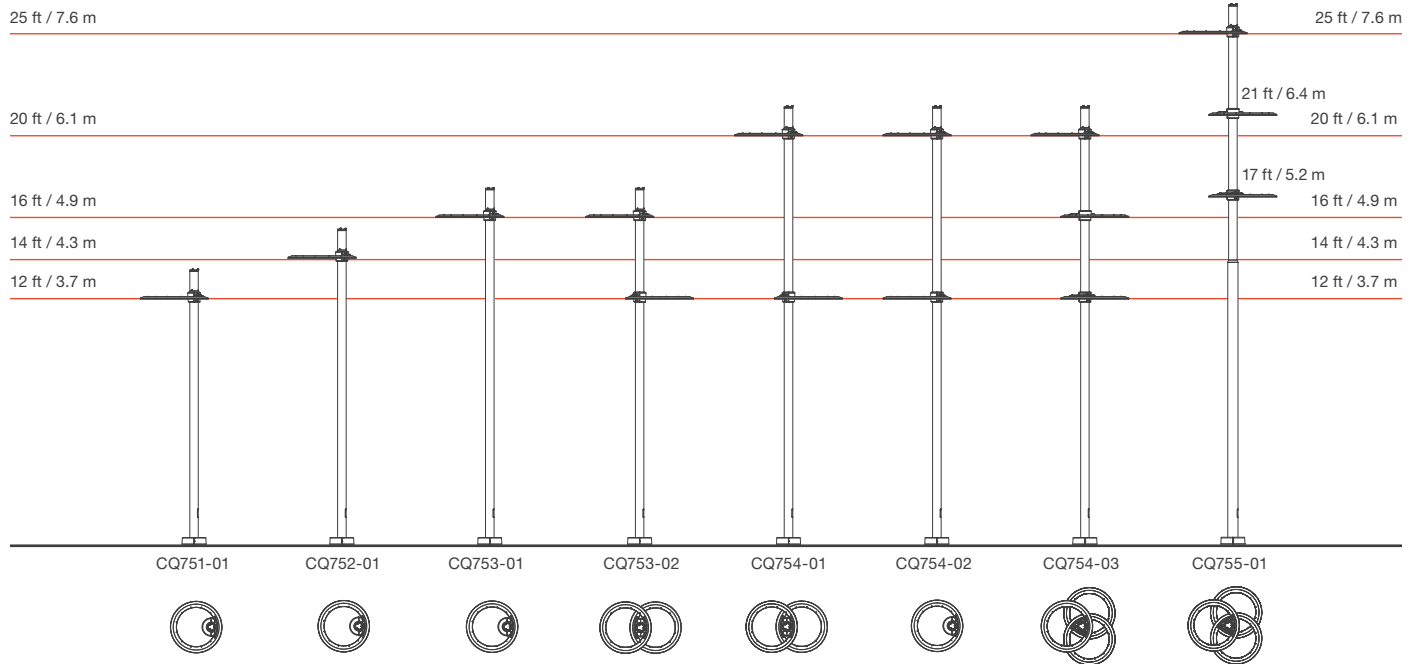
Weight: 48lbs (luminaire and driver housing)
EPA: 1.64ft²

TM21 L70(10k): 60,000hrs
Protection Class: IP67

Typology Ring Light



Spec Sheet | CQ700



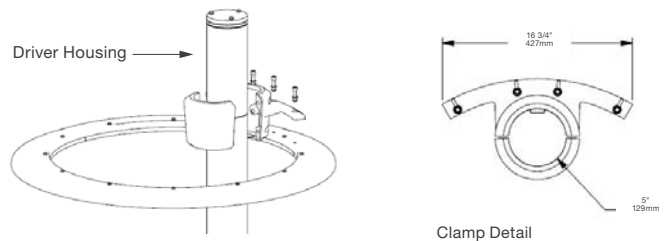
Pole

Round pole is 5" diameter or stepped 6" to 5" diameter depending on height. Manufactured from seamless 6063 aluminum alloy and heat treated to produce a T6 temper. Pole is topped with aluminum driver housing assembly. Flush mounted hand hole cover includes two magni-coated fasteners.

Base plate is cast aluminum A356 alloy heat treated to a T6 temper. Base options include four cast aluminum nut covers or a two-piece cast aluminum cover plate. Pole is mounted at grade with galvanized steel anchor bolts. Template and anchor hardware included.

Mounting

Housing is attached to a 5" diameter section of pole with a two-piece permanent mold cast compression clamp. All hardware is magni-coated steel.



Typology Ring Light

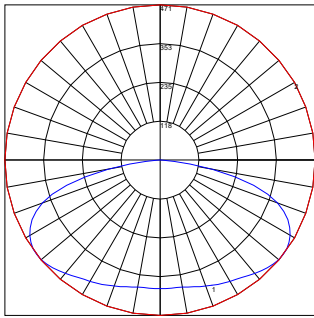


Spec Sheet | CQ700

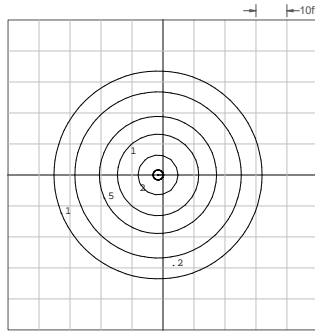
Model	Distribution Type	Drive Current	Delivered Lumens	System Watts	Bug Rating
CQ701-01	Type V	1400mA	2175	39.8	B1-U0-G1

This data is subject to change.

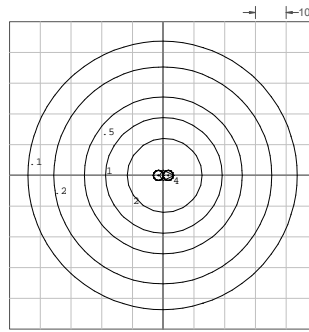
CQ701-01



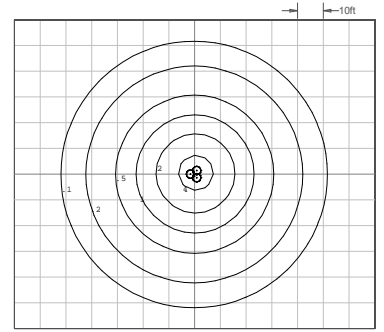
Maximum Candela=471
 Located at Horizontal Angle=0,
 Vertical Angle=52.5



12ft single luminaire



16ft double luminaires staggered



20ft triple luminaires spiraled

Typology Ring Light

landscapeforms®

Spec Sheet | CQ700

Luminaire

Product	Distribution	Drive Current	Color Temperature *	Input Voltage
CQ701 (Ring Light)	01 (Type V)	140A (Standard Output)	27K (2700K) 30K (3000K) 35K (3500K) 40K (4000K)	UV1 (120-277V)

Example: CQ701 – 01 – 140A – 27K – UV1 – Powdercoat

* For Dark Sky certification, 3000K or warmer must be selected.

Pole

Height	No. of Luminaires	Pole Part Number	Description	Wall Thickness	Pole Weight
12ft (3.7m)	1	CQ751-01	5" (127mm) Straight Round Aluminum Pole; Single Luminaire at 12ft (3.7m)	0.125" (3.175mm)	35 lbs
14ft (4.3m)	1	CQ752-01	5" (127mm) Straight Round Aluminum Pole; Single Luminaire at 14ft (4.3m)	0.125" (3.175mm)	40 lbs
16ft (4.9m)	1	CQ753-01	5" (127mm) Straight Round Aluminum Pole; Single Luminaire at 16ft (4.9m)	0.125" (3.175mm)	45 lbs
16ft (4.9m)	2	CQ753-02	5" (127mm) Straight Round Aluminum Pole; (2) Luminaire at 16ft (4.9m) and 12ft (3.7m)	0.125" (3.175mm)	45 lbs
20ft (6.1m)	2	CQ754-01	5" (127mm) Straight Round Aluminum Pole; (2) Luminaires at 20ft (6.1m) and 12ft (3.7m) 180 Degree Orientation	0.156" (3.962mm)	76 lbs
20ft (6.1m)	2	CQ754-02	5" (127mm) Straight Round Aluminum Pole; (2) Luminaires at 20ft (6.1m) and 12ft (3.7m) with Same Orientation	0.156" (3.962mm)	76 lbs
20ft (6.1m)	3	CQ754-03	5" (127mm) Straight Round Aluminum Pole; (3) Luminaires at 20ft (6.1m), 16ft (4.9m), and 12ft (3.7m) in CCW Spiral Configuration with 120 Degree Orientation Offset	0.188" (4.775mm)	87 lbs
25ft (7.6m)	3	CQ755-01	6" (152.4mm) to 5" (127mm) Stepped Round Aluminum Pole; (3) Luminaires at 25ft (7.6m), 21ft (6.4m), and 17ft (5.2m) in CCW Spiral Configuration with 120 Degree Orientation Offset	0.188" (4.775mm)	105 lbs

Base Options

Nut Covers	Cover Plate
NUT	CVR

Example: CQ754-01 – CVR – MS1 – Powdercoat

* FSP-311B-S-L7-G photo/motion sensor will be used.

[Click here to view the technical data sheet.](#)

Control Options

Twist Lock Receptacle	Photo/Motion Sensor*
TW1	MS1

Typology Ring Light

Material / Colors Sheet | CQ700





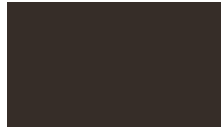

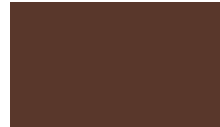
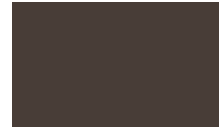



Vivid Series - Powdercoated Metal* (Fine Texture)

					
CLY (Clay)	LMN (Lemon)	MNG (Mango)	STG (Loll Sunset Orange)	CHL (Chili)	APR (Loll Apple Red)
					
LFG (Loll Leaf Green)	MSS (Moss)	FOR (Forest)	NVY (Loll Navy Blue)		

Neutral Series - Powdercoated Metal*

				
SIL (Silver Metallic)	MER (Mercury Metallic)	STL (Steel Metallic)	BRZ (Bronze Metallic)	TNM (Titanium Metallic)
				
BLK (Gloss Black)	WHT (Gloss White)			

Architectural Series - Powdercoated Metal* (Fine Texture)

					
FOG (Fog)	OBD (Obsidian)	MBK (Matte Black)	TER (Terra)	NMG (Nutmeg)	ONX (Onyx)
					
SAG (Sage)	BLA (Blue Ash)	DSK (Dusk)			

Typology Ring Light

landscapeforms®

Material / Colors Sheet | CQ700

Powdercoated Metal

Powdercoated Metal Pangard II® Polyester Powdercoat is a hard, yet flexible, finish that resists rusting, chipping, peeling and fading. In addition to colors shown, a wide selection of optional and custom colors may be specified for an upcharge.

* All colors and patterns shown are approximate and may vary from sample and final.

Visit landscapeforms.com for more information. Specifications are subject to change without notice. Landscape Forms supports the Landscape Architecture Foundation at the Second Century level. ©2023 Landscape Forms, Inc.

landscapeforms.com | specify@landscapeforms.com