



landscapeforms®

Typology Ribbon Bench Planning Guide

The Typology ribbon bench is the flowing centerpiece that bridges all elements of the Typology Collection created in collaboration with Designworks, a BMW Group company. Modular segments in a straight configuration and two different degrees of small and large radius enable the ribbon bench to meander seamlessly throughout the landscape, responding to existing architecture and adapting to complex streetscapes. The Typology ribbon bench defines spaces, connects places, guides pedestrians, and can even form amphitheater-like hubs that inspire social interaction. Concentric circular or arced configurations invite people to rest, repose and connect with others sharing the space, a counterpoint to the anonymity of a bustling urban environment.

The central gap between the two concrete profiles facilitates water drainage, but also serves as a mounting point for optional backrests, armrests and extended functional surfaces to be implemented in strategic locations throughout the installation. Protrusions on the underside of the concrete profiles nestle seamlessly into a support structure, enabling the components to join without fasteners. Contrasting the smooth, radiused form of the concrete profiles, the cast aluminum supports and end caps—with faceted surfaces like cut gems—communicate heft, angularity and precision in manufacturing. Emanating from within the ribbon bench, integral downward-facing lighting illuminates the space around the feature, eliminating glare and creating an illusion that the entire structure almost levitates. The ribbon bench is easily expandable to support future changes and developments to the urban landscape.

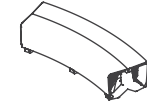
The following examples demonstrate the different ways in which the Typology ribbon bench can be specified and the mechanics of how the modular components and different features work together. This guide is by no means exhaustive, but rather it is intended to inspire the many new possibilities this innovative seating system offers.



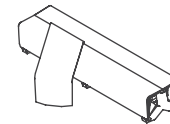
Straight Bench
24.5" x 96" x 17.75"



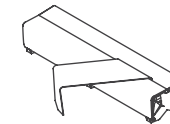
Small Radius Bench
24.5" x 77" x 17.75"



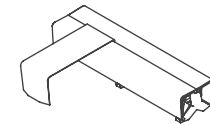
Large Radius Bench
24.5" x 78.25" x 17.75"



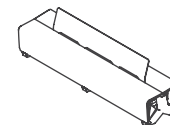
Left Angled Surface



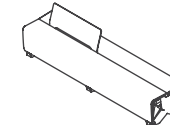
Right Angled Surface



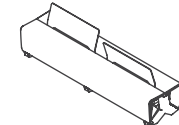
Perpendicular Surface



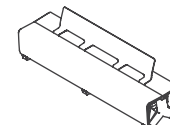
Full Perch Back



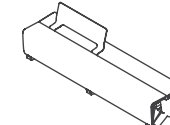
Partial Perch Back



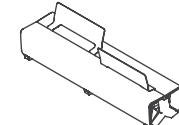
Opposing Partial Perch Backs



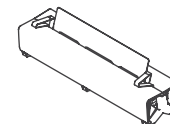
Full Lean Back



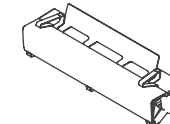
Partial Lean Back



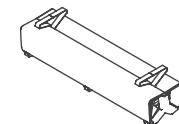
Opposing Partial Lean Backs



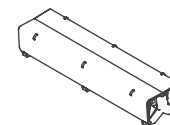
Perch Backed Arms



Lean Backed Arms



Backless Arms

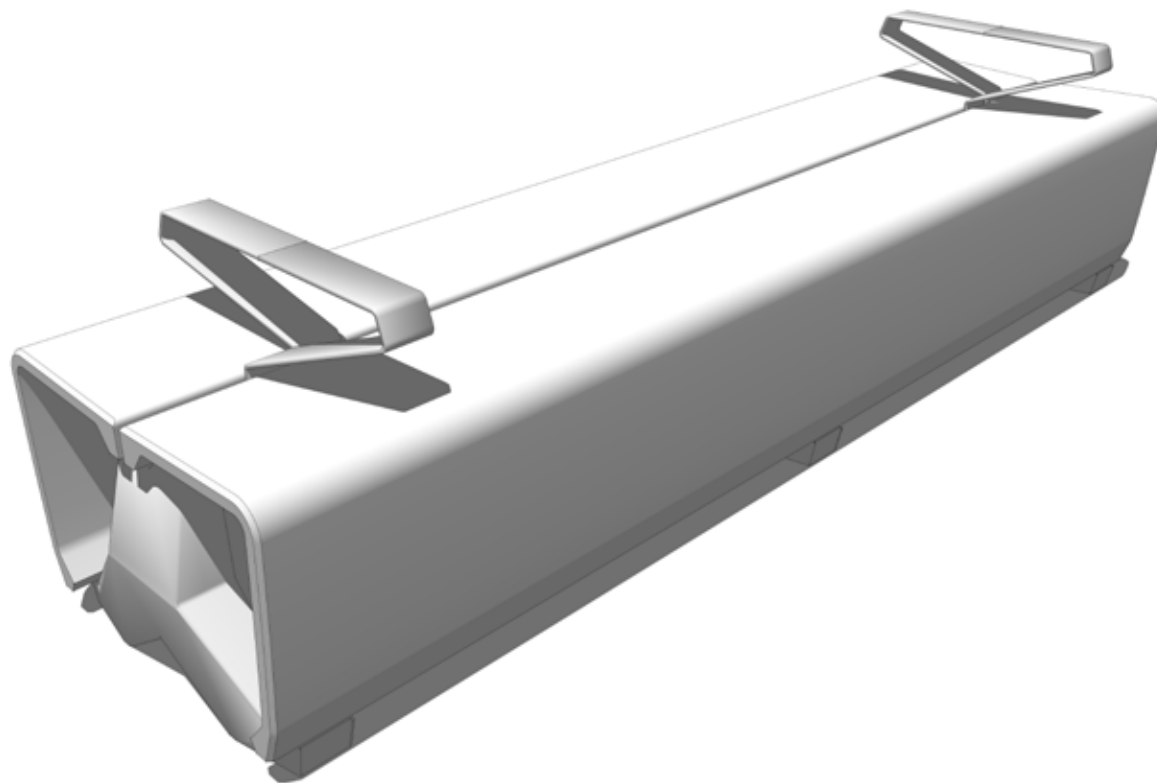


Skatestops

Components

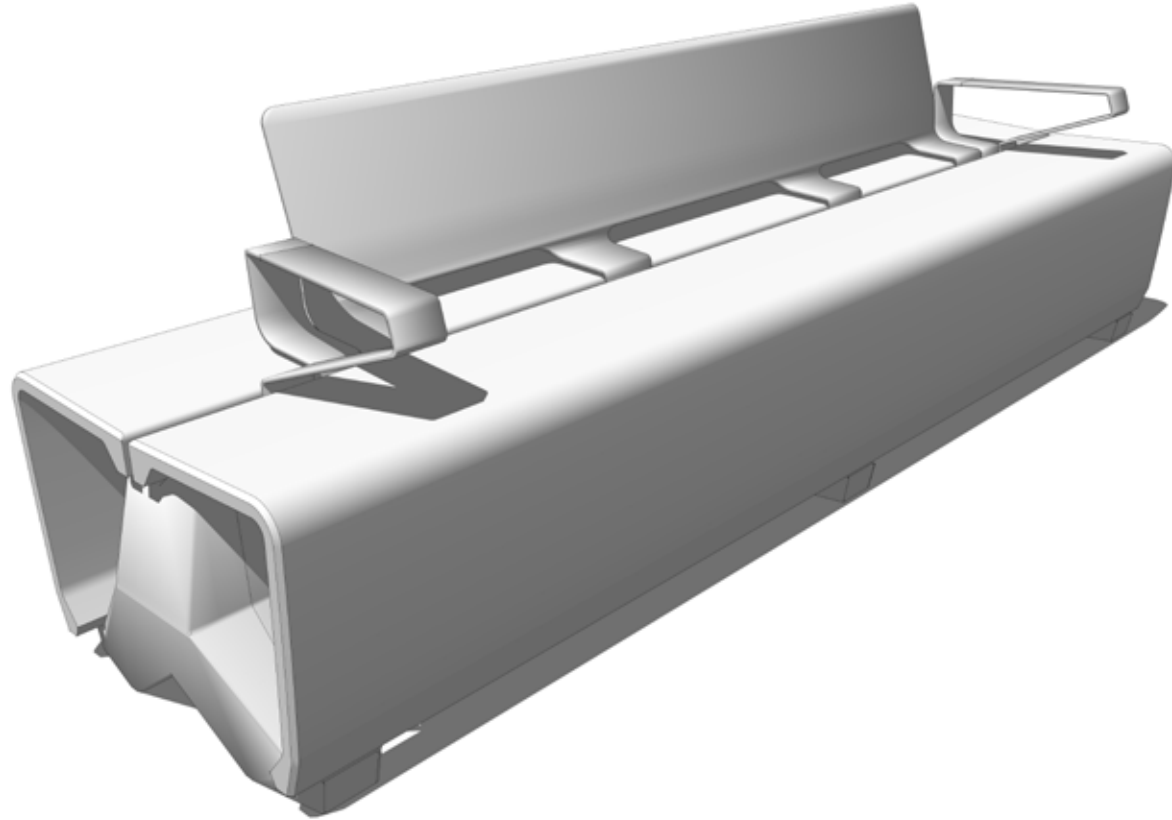
(1) Straight Ribbon Bench

(1) Pair Backless Arms



Components

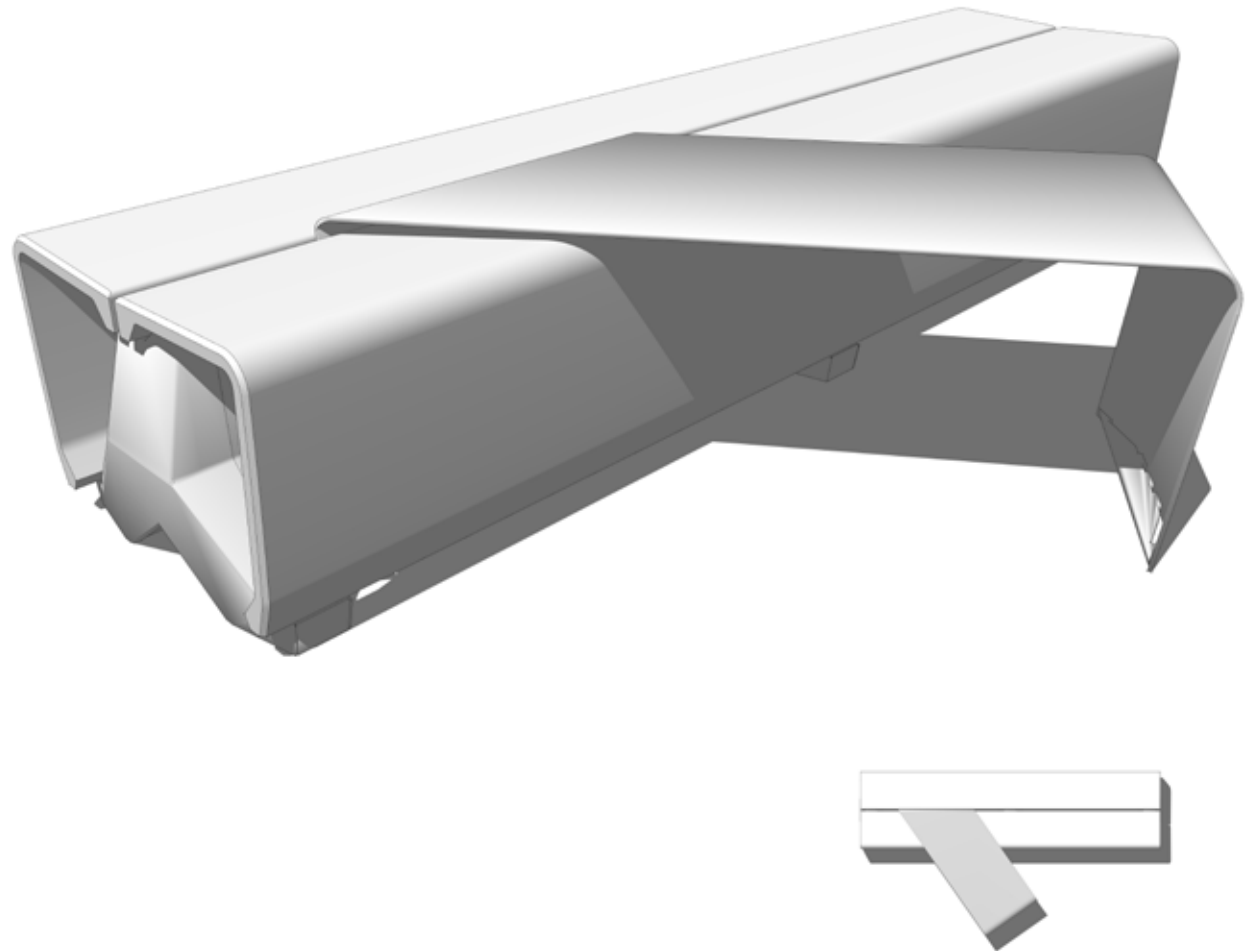
- (1) Straight Ribbon Bench
- (1) Full Lean Back
- (1) Pair Lean Backed Arms



Components

(1) Straight Ribbon Bench

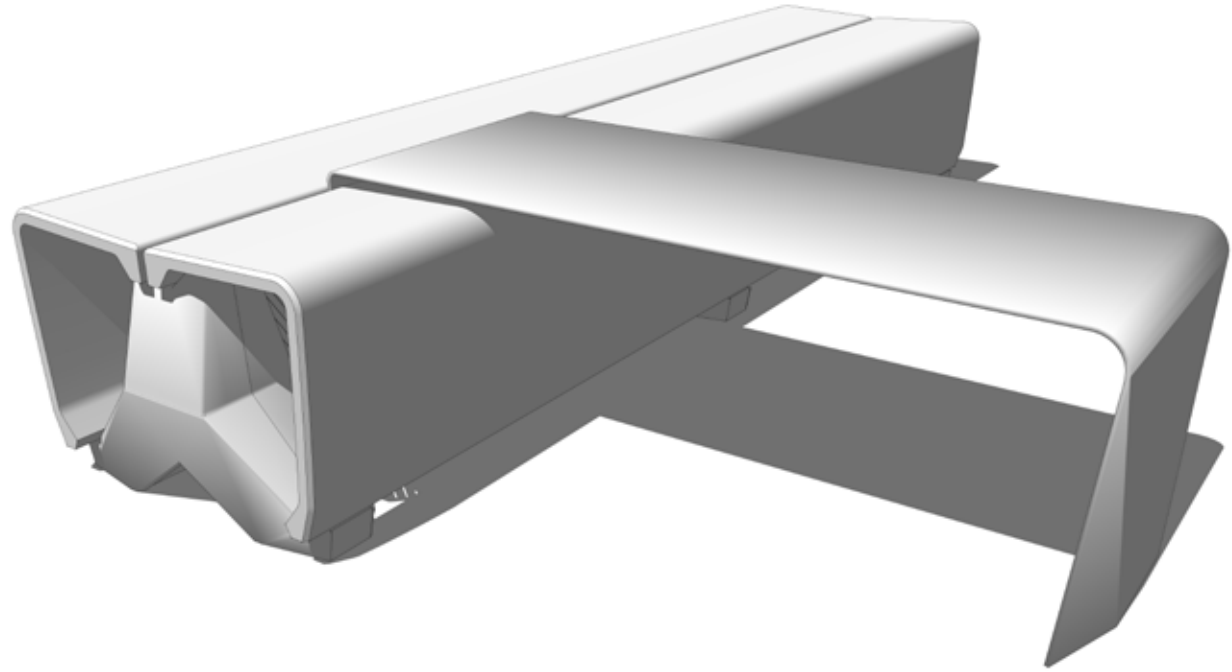
(1) Left Angle Surface



Components

(1) Straight Ribbon Bench

(1) Perpendicular Surface

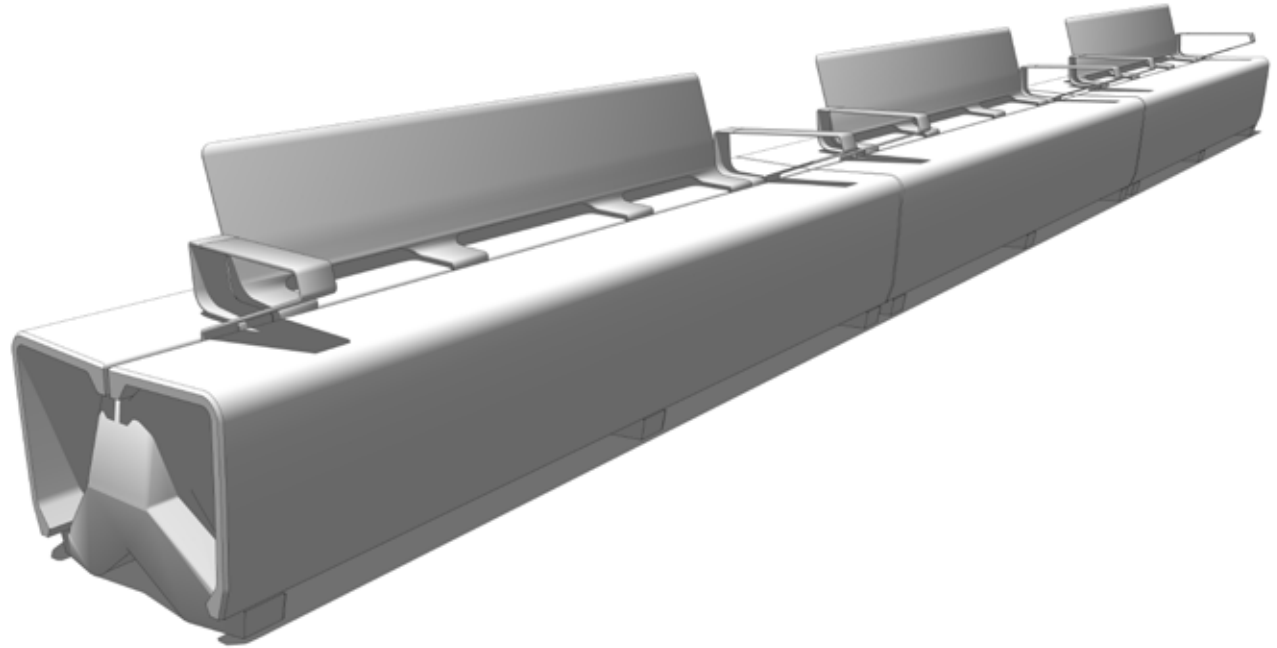


Components

(3) Straight Ribbon Bench

(3) Full Lean Back

(3) Pairs Lean Backed Arms

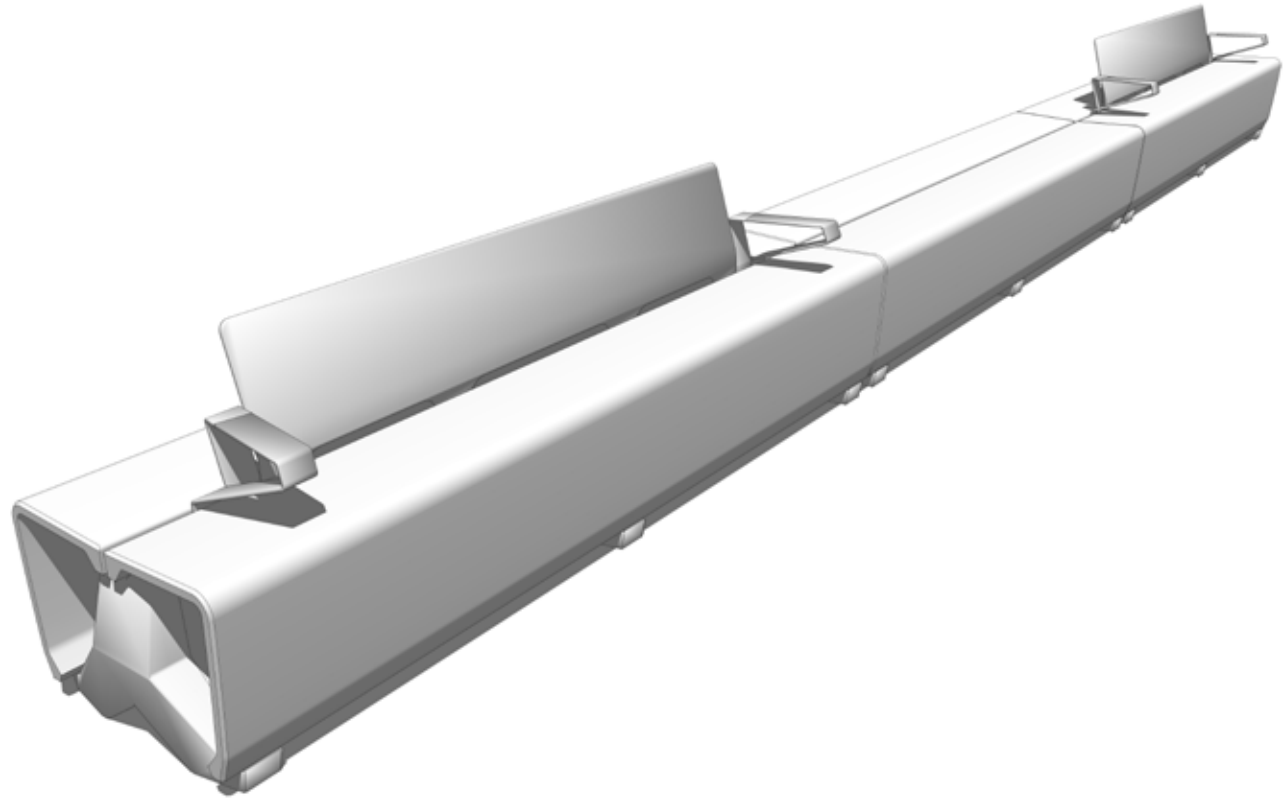


Components

(3) Straight Ribbon Bench

(2) Full Perch Back

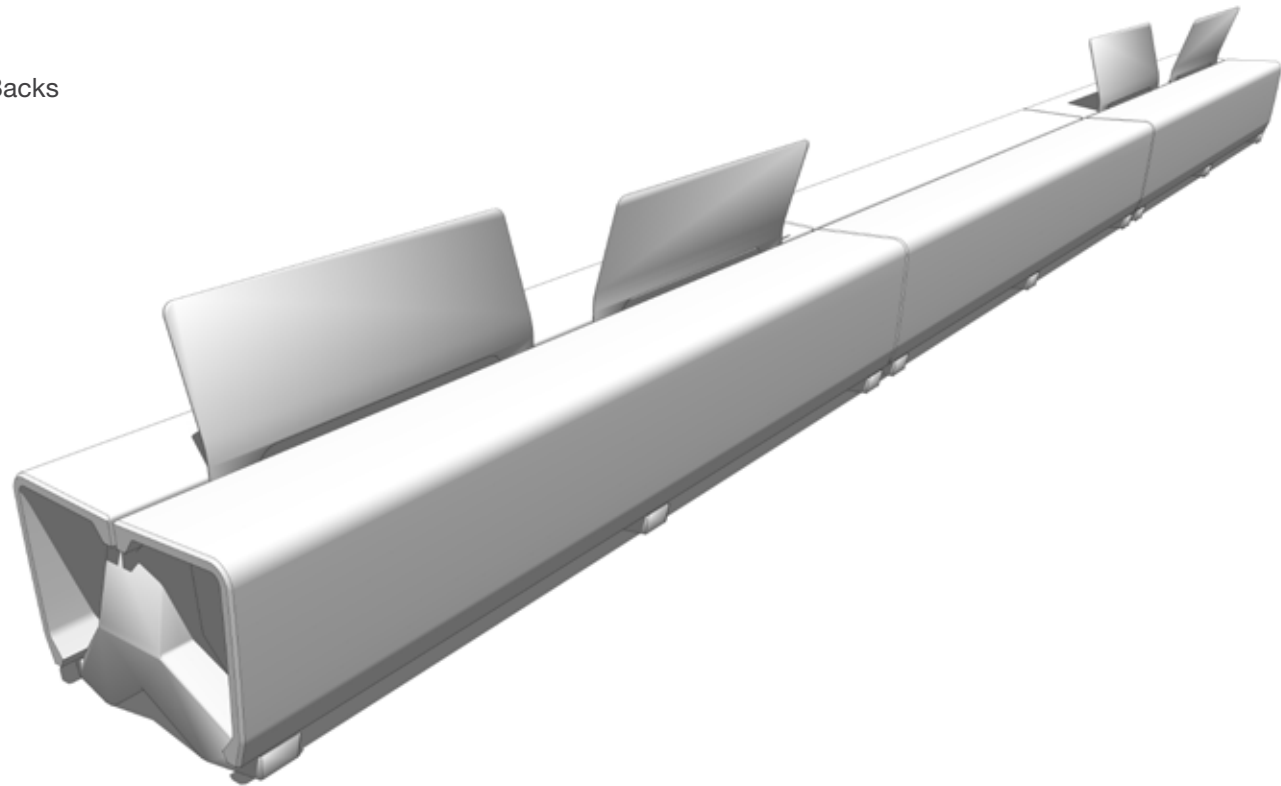
(2) Pairs Perch Backed Arms



Components

(3) Straight Ribbon Bench

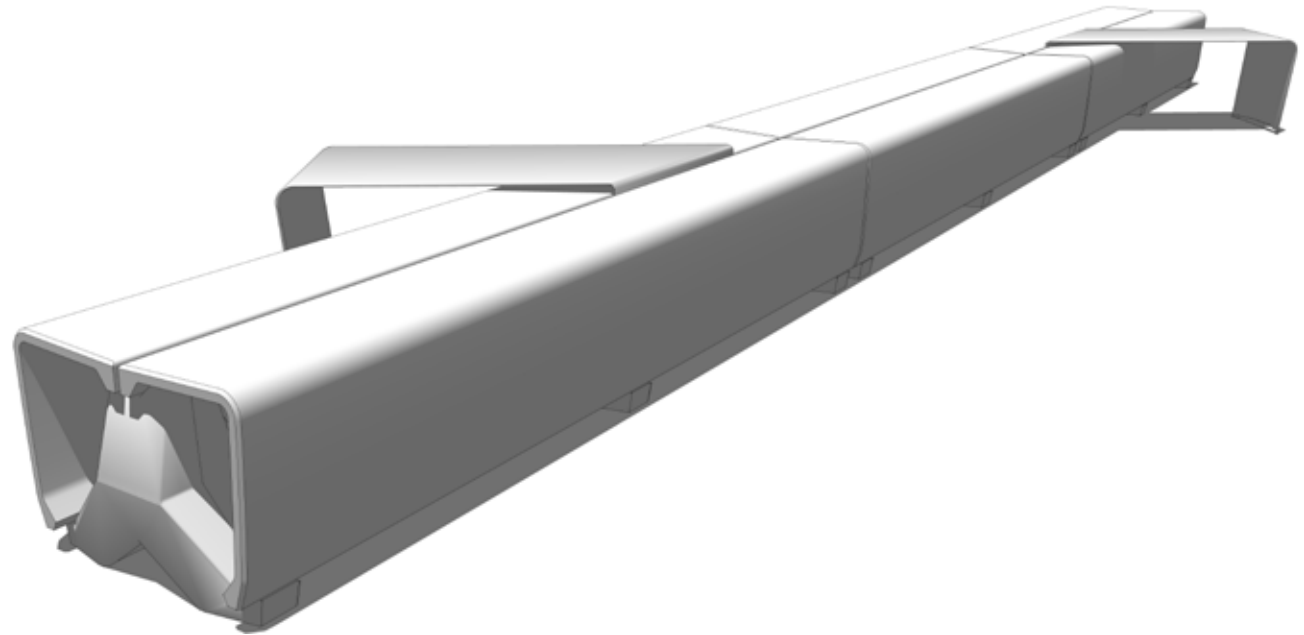
(2) Pairs Opposing Partial Perch Backs



Components

(3) Straight Ribbon Bench

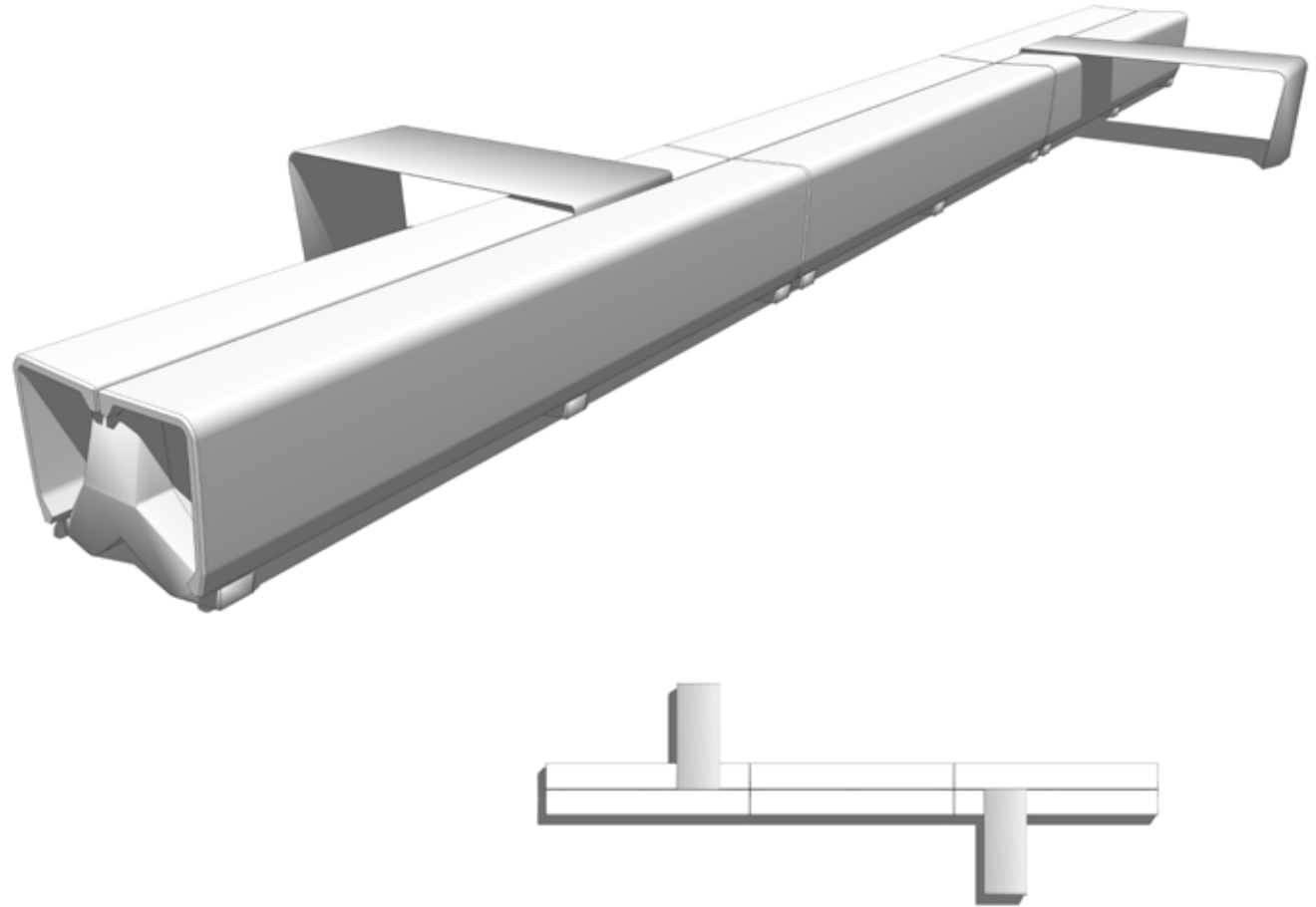
(2) Left Angle Surface



Components

(3) Straight Ribbon Bench

(2) Perpendicular Surface

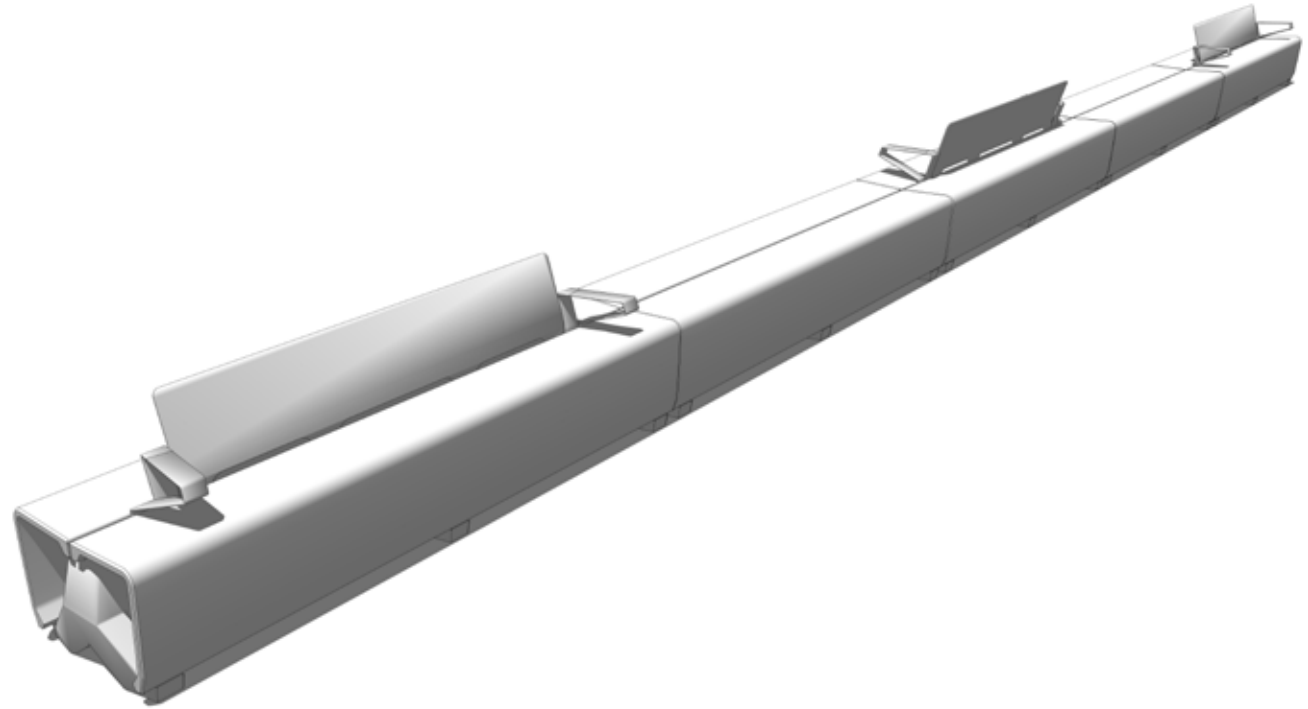


Components

(5) Straight Ribbon Bench

(3) Full Perch Back

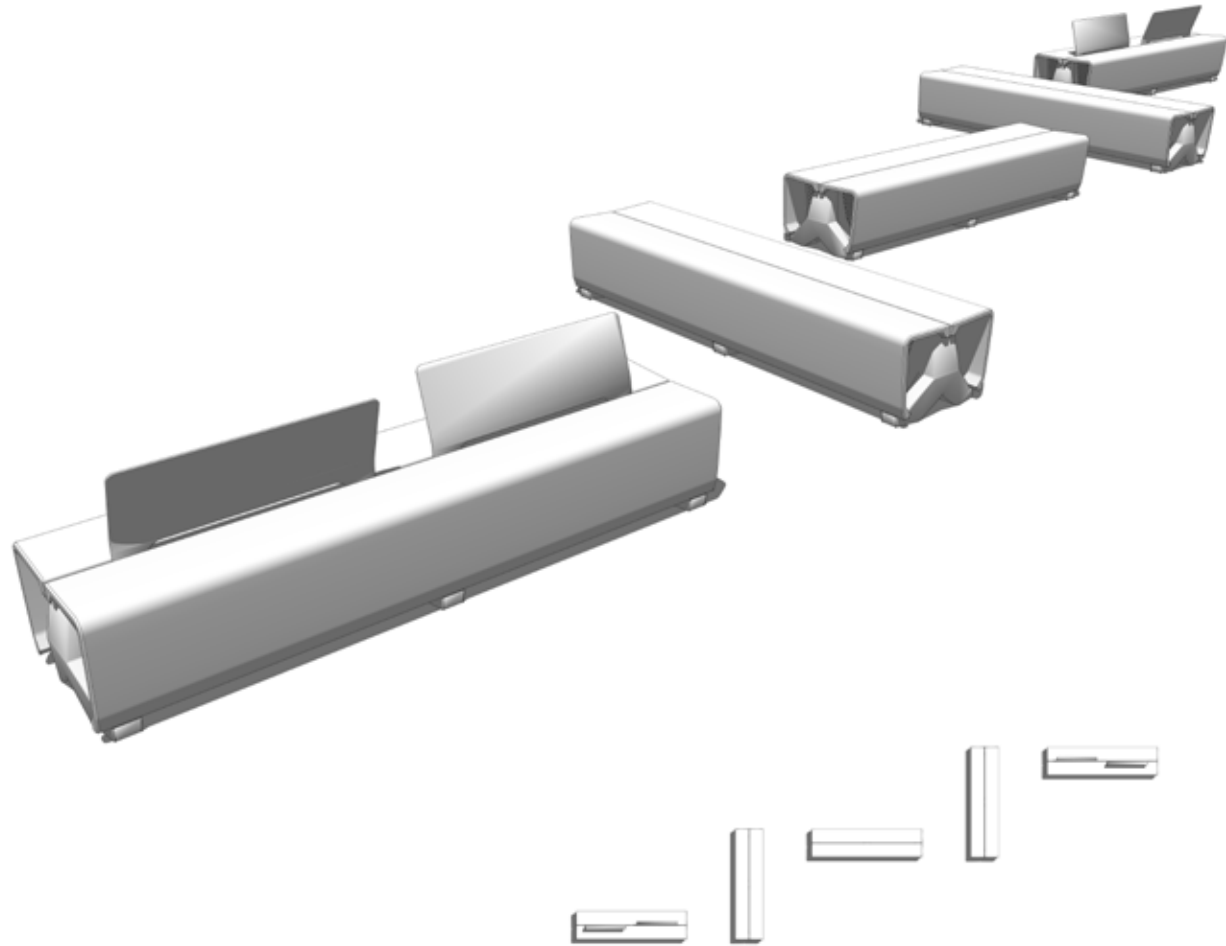
(3) Pairs Perch Back Arms



Components

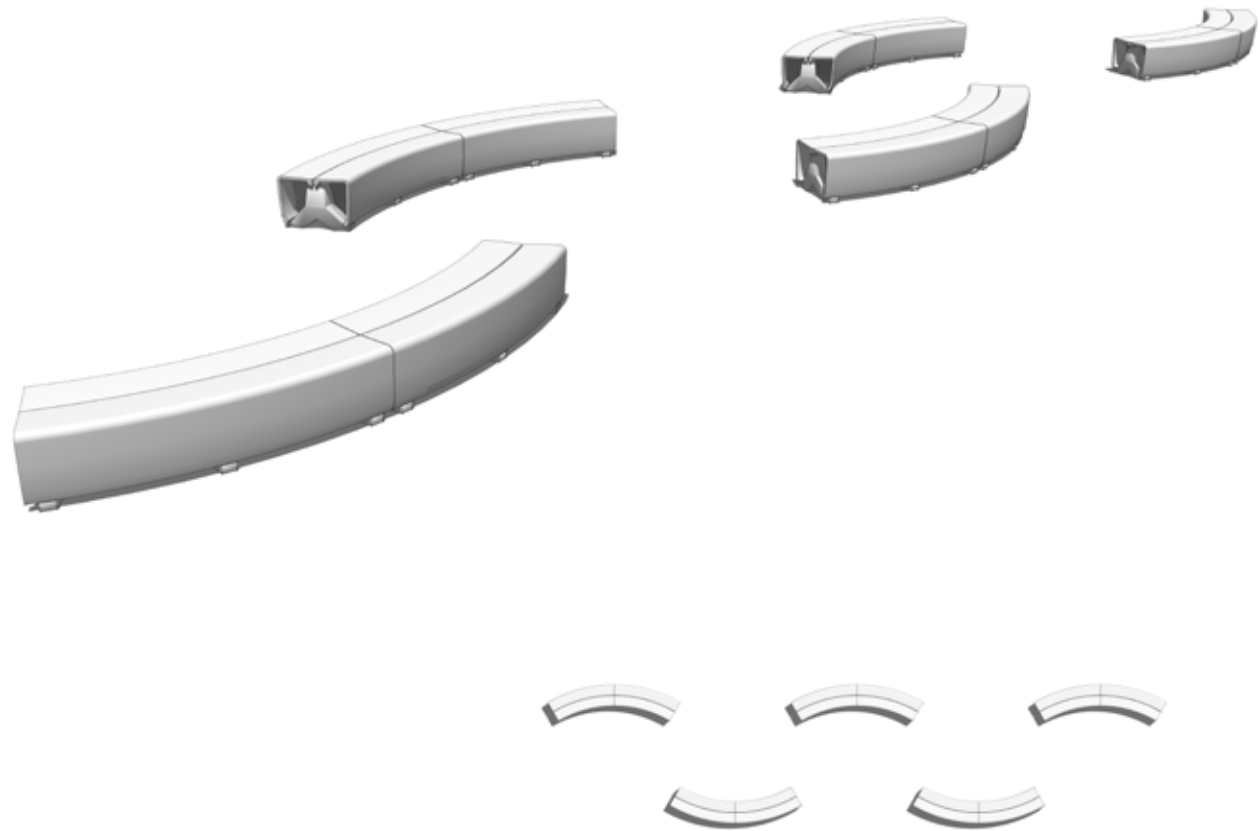
(5) Straight Ribbon Bench

(2) Pairs Opposing Perch Backs



Components

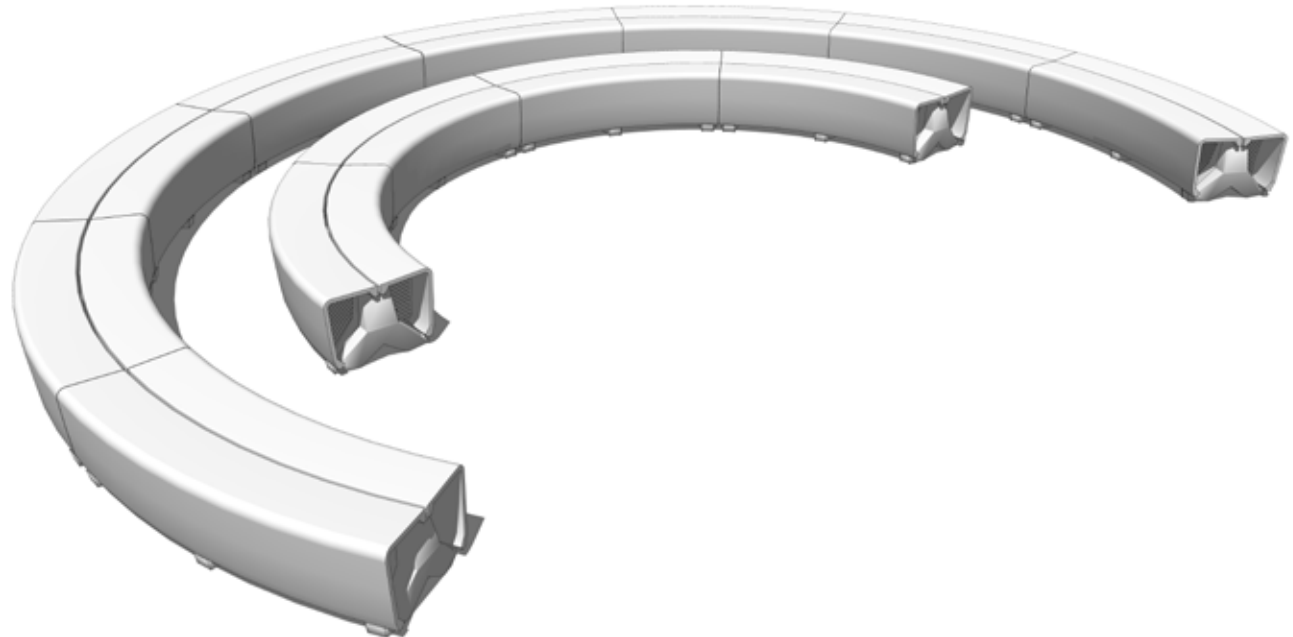
(10) Large Radius Ribbon Bench



Components

(8) Large Radius Ribbon Bench

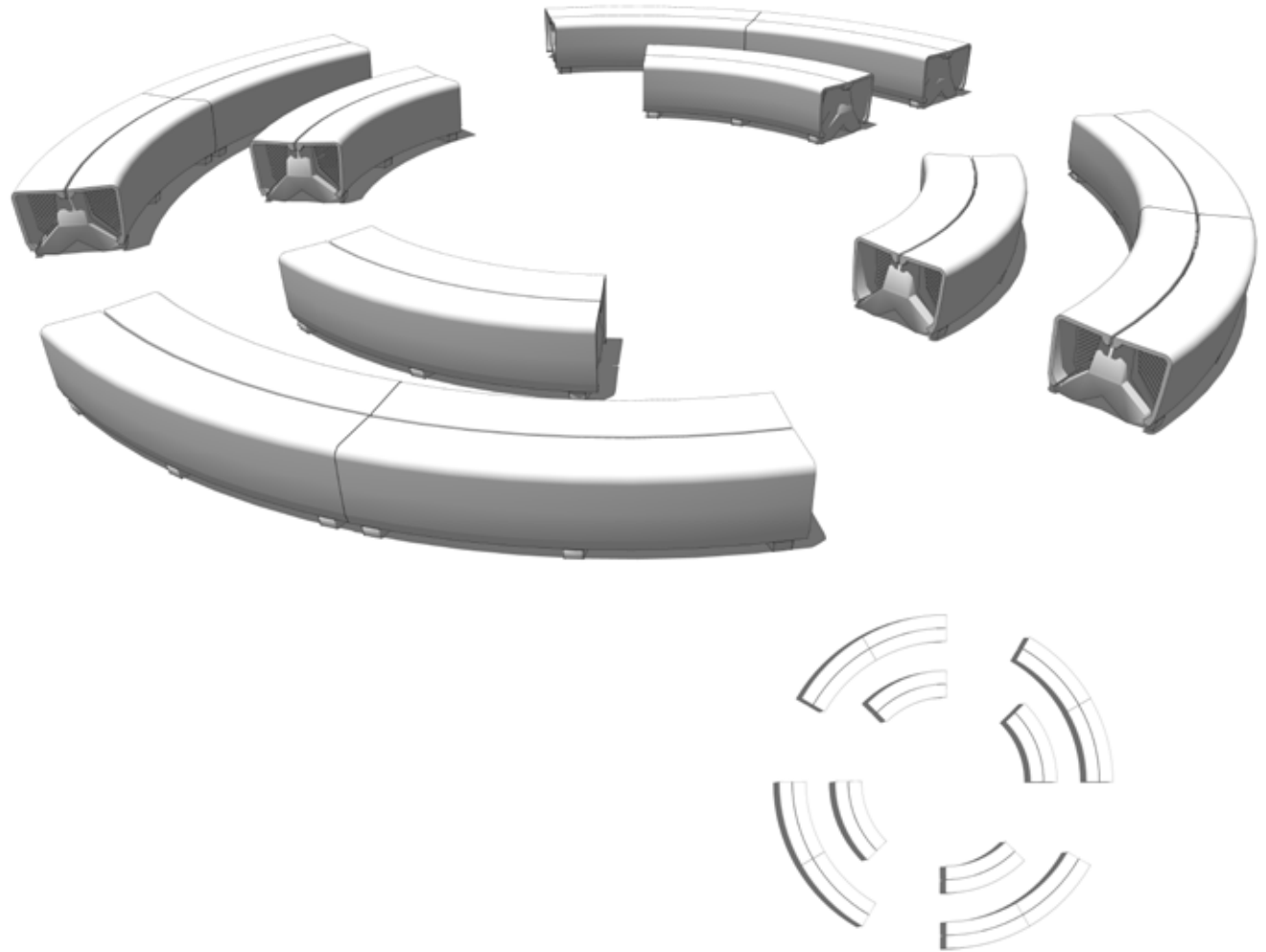
(4) Small Radius Ribbon Bench



Components

(8) Large Radius Ribbon Bench

(4) Small Radius Ribbon Bench

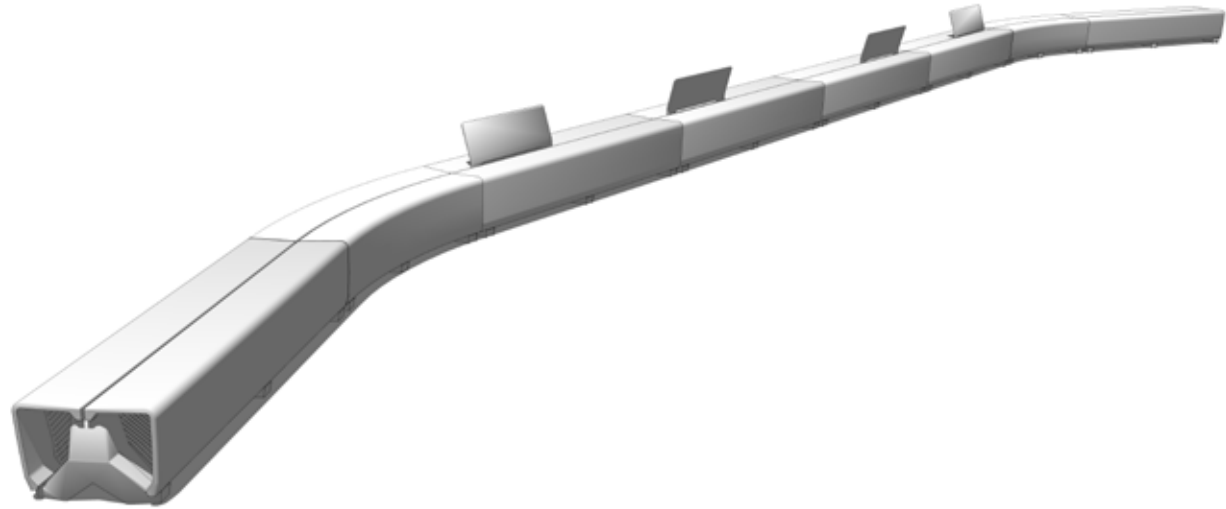


Components

(6) Straight Ribbon Bench

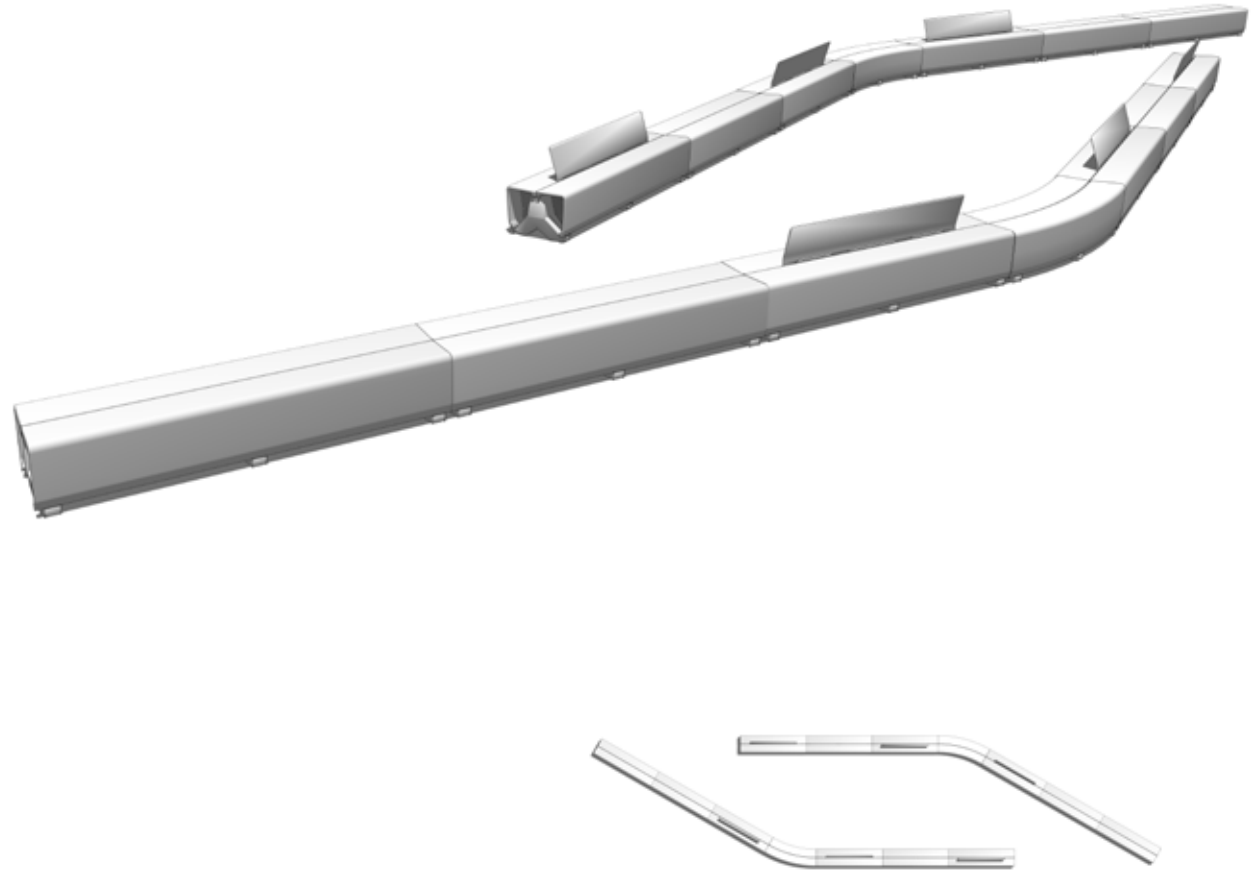
(2) Small Radius Ribbon Bench

(4) Partial Perch Back



Components

- (12) Straight Ribbon Bench
- (2) Small Radius Ribbon Bench
- (6) Full Perch Back



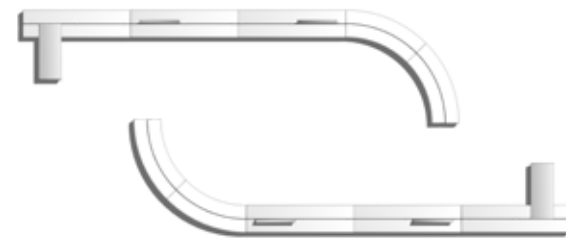
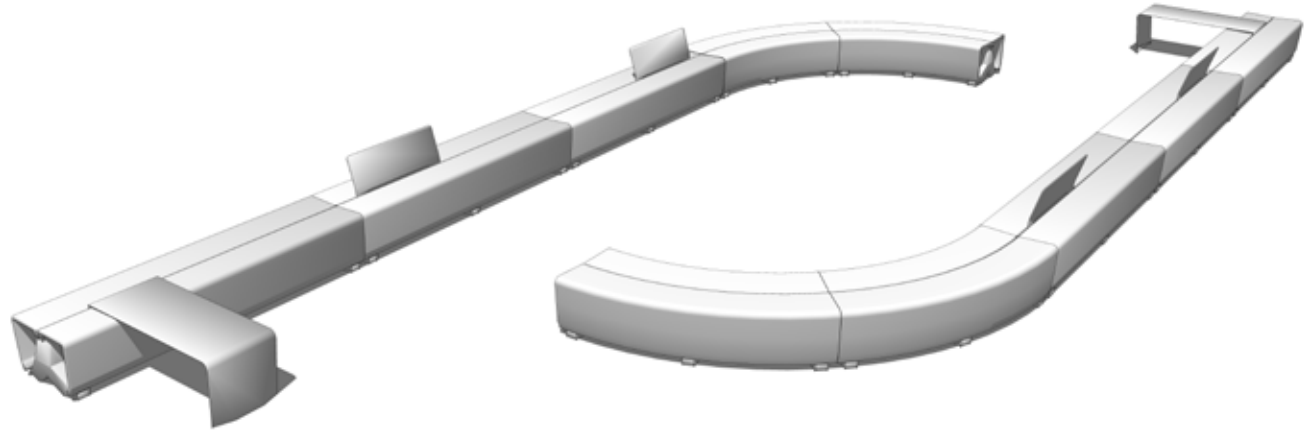
Components

(6) Straight Ribbon Bench

(4) Small Radius Ribbon Bench

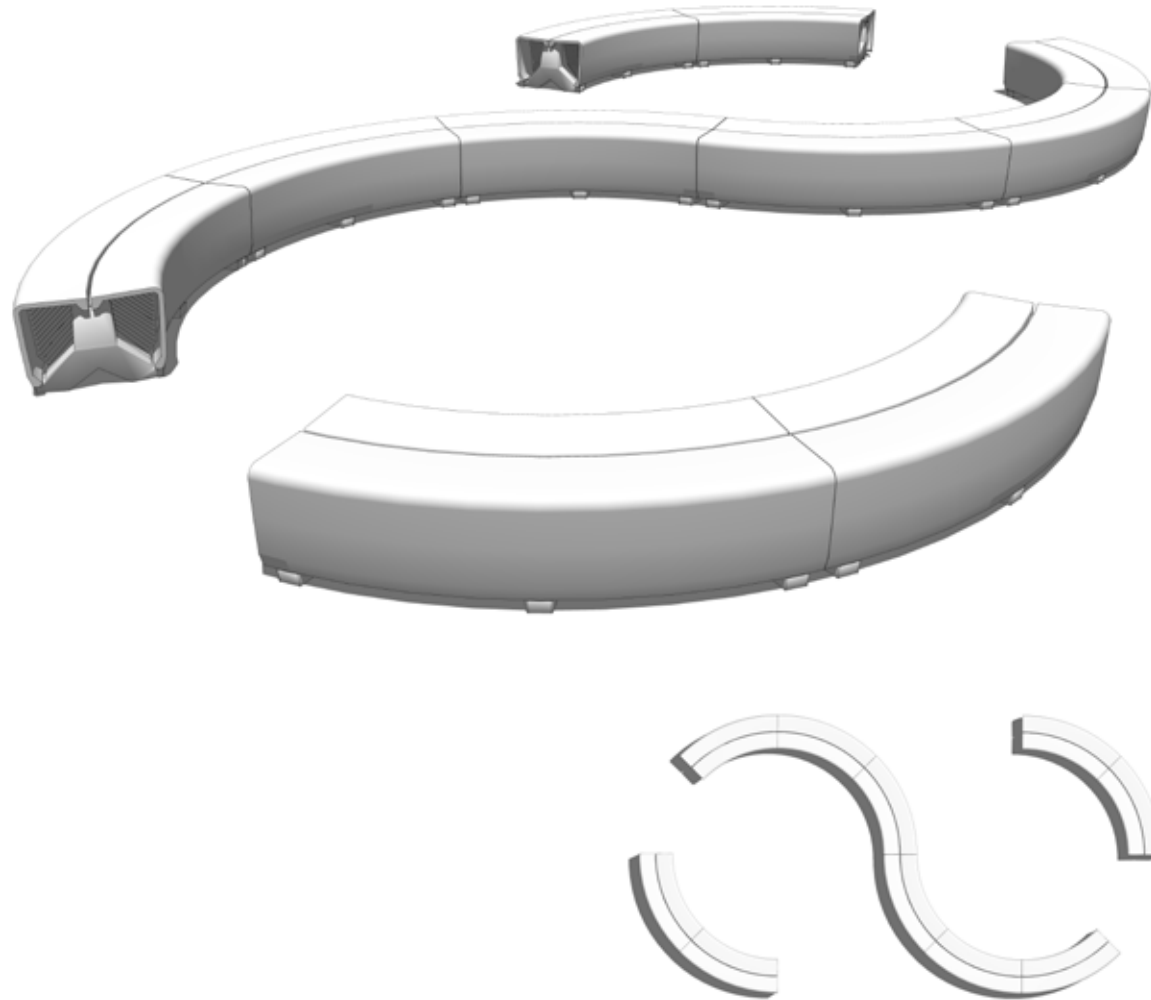
(4) Partial Perch Back

(2) Perpendicular Surface



Components

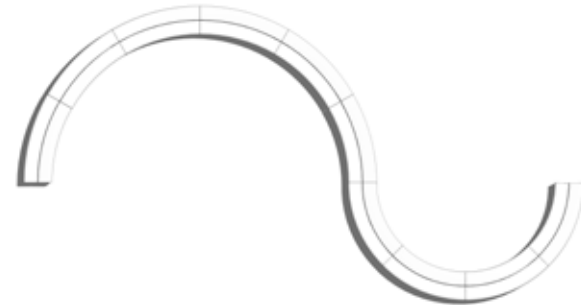
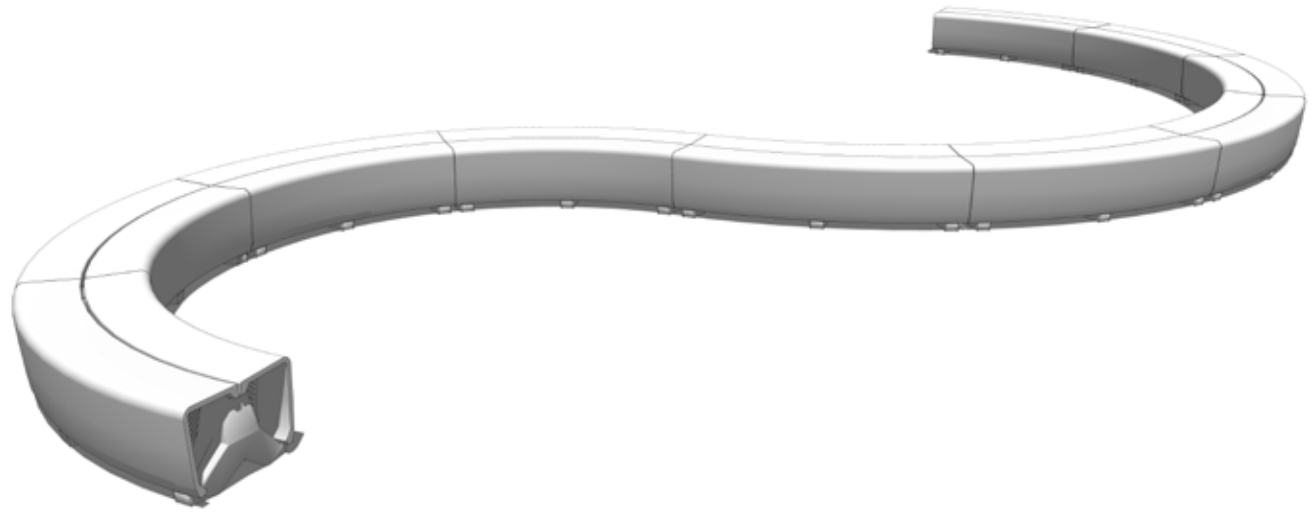
(10) Small Radius Ribbon Bench



Components

(6) Large Radius Ribbon Bench

(4) Small Radius Ribbon Bench



landscapeforms.com

Typology Ribbon Bench:
Design by Designworks,
a BMW Group Company

Specifications are subject
to change without notice.
Landscape Forms supports
the Landscape Architecture
Foundation at the Second
Century level. ©2021
Landscape Forms, Inc.

landscapeforms®

