

# Typology Ribbon Bench

landscapeforms

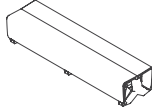
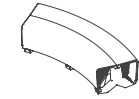
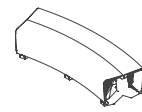
## Product Data Sheet

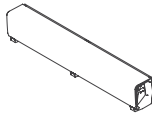


The ribbon bench is the centerpiece of the Typology Collection. Modular segments in straight, small radius and large radius configurations enable the bench to meander seamlessly throughout the landscape. It defines spaces, connects spaces, guides pedestrians, and can even form amphitheater-like semicircular hubs that encourage community interaction.

### Seating System

- The Typology ribbon bench is a modular seating system with the ability to fit multiple applications.
- The Typology bench is available either as a ribbon bench or a straight ribbon semi bench.
- Ribbon benches are available in straight, small radius, or large radius styles.
- Straight ribbon semi bench are only available as a single straight bench.
- Bench angle for the small curve is 45° and bench angle for the large curve is 30°.
- Centerline radius for the small curve is 88.5", and centerline radius for the large curve is 139".
- Compatible benches can be connected to make a run of benches, follow a serpentine path, fit in or around a corner, and/or make semicircular formations.
- Seats are constructed from Glass Fiber Reinforced Concrete (GFRC), with a soft, radiused edge.
- All bench styles come standard backless, with back options available only for straight benches.
- These back options for straight benches include a lean back and a perch back, both are available in full or partial lengths.
- Two (2) opposing partial perch backs can be specified on a straight bench.
- All backs are made of 1/4" steel and are finished with powdercoat.
- Optional arms are available for both backed and backless specifications.  
Note: backed arms are only available on straight benches
- Optional arms mount to central gap on bench seat.
- Central gap on bench seat also facilitates water drainage.
- Optional extended surfaces are made of 1/4" steel and are finished with powdercoat.
- Optional extended surfaces are available only for the straight benches in right 55° angle, left 55° angle, and perpendicular orientations.
- Optional surfaces mount to central gap on bench seat.

RIBBON BENCHES				
STRAIGHT RIBBON BENCH	DEPTH	LENGTH	HEIGHT	PRODUCT WEIGHT
	24.5"	96"	17.75"	511 lbs
SMALL RADIUS RIBBON BENCH	DEPTH	LENGTH	HEIGHT	PRODUCT WEIGHT
	24.5"	77"	17.75"	385 lbs
LARGE RADIUS RIBBON BENCH	DEPTH	LENGTH	HEIGHT	PRODUCT WEIGHT
	24.5"	78.25"	17.75"	400 lbs

STRAIGHT RIBBON SEMI BENCHES				
STRAIGHT RIBBON SEMI BENCH	DEPTH	LENGTH	HEIGHT	PRODUCT WEIGHT
	13"	96"	17.75"	356 lbs

# Typology Ribbon Bench

landscapeforms

## Product Data Sheet





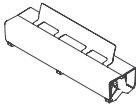
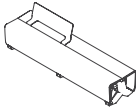
### Seating System (cont.)

- Supports are cast aluminum with faceted appearance, and finished with powdercoat.
- Aluminum perforated screens finished with powdercoat are attached to the end supports to protect internal components and prevent the ingress of pests.
- Mounting for all bench styles is surface mounted.
- Protrusions on the underside of concrete seat nest into supports with the use of fasteners.
- All ribbon bench style includes optional integral, downward facing 7 watt lighting.
- Lighting color temp is only available in 3000K CCT.
- Lighting input voltage is 100/277.
- Stainless steel skate stops can be specified with all bench styles (up to six (6) per bench).
- Benches do not ship fully assembled.

### Finishes

- All metal is finished with Landscape Forms' proprietary Pangard II® polyester powdercoat, a hard yet flexible finish that resists rusting, chipping, peeling, and fading.
- A wide range of standard, optional and custom colors are available.
- Glass Fiber Reinforced Concrete (GFRC) is available in three standard color options - natural white, natural ecru, or natural gray.
- The finish of natural concrete surfaces is porous and has a unique texture when fully cured. Consequently, as compared to smooth mechanically applied finishes, the surface of this concrete finish will naturally exhibit some voids as well as absorb discoloring tannins.

MOUNTING OPTIONS				
STANDARD SURFACE MOUNT	DEPTH	LENGTH	HEIGHT	PRODUCT WEIGHT
	7.5"	21.5"	16.25"	21 lbs
STRAIGHT RIBBON SEMI MOUNT	DEPTH	LENGTH	HEIGHT	PRODUCT WEIGHT
	7"	11.5"	16"	14 lbs

BACK OPTIONS – (STRAIGHT BENCHES ONLY)				
LEAN BACK				
FULL LEAN BACK	SEAT DEPTH WHEN INSTALLED	LENGTH	HEIGHT	PRODUCT WEIGHT
	17.25"	68"	30"	75 lbs
PARTIAL LEAN BACK	SEAT DEPTH WHEN INSTALLED	LENGTH	HEIGHT	PRODUCT WEIGHT
	17.25"	35.5"	30"	37 lbs

\*dimensions shown per back

# Typology Ribbon Bench

landscapeforms

## Product Data Sheet



BACK OPTIONS – (STRAIGHT BENCHES ONLY)				
PERCH BACK				
FULL PERCH BACK	SEAT DEPTH WHEN INSTALLED	LENGTH	HEIGHT	PRODUCT WEIGHT
	12.25"	68"	29.75"	73 lbs
PARTIAL PERCH BACK	SEAT DEPTH WHEN INSTALLED	LENGTH	HEIGHT	PRODUCT WEIGHT
	12.25"	35.5"	29.75"	37 lbs
OPPOSING PARTIAL PERCH BACKS	SEAT DEPTH WHEN INSTALLED	LENGTH	HEIGHT	PRODUCT WEIGHT
	12.25"	35.5"	29.75"	76 lbs.

\*dimensions shown per back

ACCESSORIES - SURFACES				
RIGHT ANGLE SURFACE	DEPTH	LENGTH	HEIGHT	PRODUCT WEIGHT
	41.75"	20"	18.25"	107 lbs
LEFT ANGLE SURFACE	DEPTH	LENGTH	HEIGHT	PRODUCT WEIGHT
	41.75"	20"	18.5"	107 lbs
PERPENDICULAR SURFACE	DEPTH	LENGTH	HEIGHT	PRODUCT WEIGHT
	37.5"	20"	18.5"	116 lbs

# Typology Ribbon Bench

landscapeforms

## Product Data Sheet

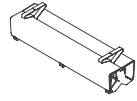
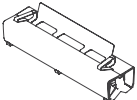
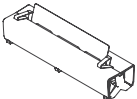


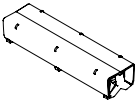
### To Specify

- Specify the Typology bench and select either a ribbon bench or straight ribbon semi bench and the number of units for the configuration. The straight ribbon semi bench is only available as a single straight unit. If ribbon bench is specified, select style (straight, small radius, or large radius) for each bench segment. All bench styles come surface mounted. Select optional accessories, backs (lean or perch, available only with straight benches in full or partial lengths), arms (backed or backless, backed arms are only available with straight benches), surfaces (right angle, left angle, or perpendicular, only available with straight benches), skate stops, and/or the bench light kit. Choose a powdercoat color for supports and powdercoat color for optional accessories, and select Glass Fiber Reinforced Concrete (GFRC) color for seating. Benches do not ship fully assembled.

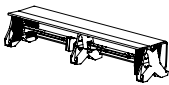
*Designed by Designworks, a BMW Group company*

U.S. Patent No. Pending

ACCESSORIES - ARMS				
BACKLESS ARM	DEPTH	LENGTH	HEIGHT	PRODUCT WEIGHT
	21"	3"	6"	15 lbs
LEAN BACKED ARM	DEPTH	LENGTH	HEIGHT	PRODUCT WEIGHT
	15.75"	3"	6"	13 lbs
PERCH BACKED ARM	DEPTH	LENGTH	HEIGHT	PRODUCT WEIGHT
	12.25"	3"	6"	11 lbs

SKATE STOPS	DEPTH	LENGTH	HEIGHT	PRODUCT WEIGHT
	2.75"	0.75"	2.75"	0.5 lbs

\*dimensions shown per skate stop

LIGHT KIT


Visit [landscapeforms.com](https://landscapeforms.com) for more information. Specifications are subject to change without notice. Landscape Forms supports the Landscape Architecture Foundation at the Second Century level. ©2026 Landscape Forms, Inc. Printed in U.S.A.