

Included components: No assembly required

Tools required:

- Crane or proper equipment to lift bench.
- Straps

INSTALLATION:

1. Determine placement of bench.
2. Set in place with proper equipment such as a crane. See Fig. 1.

Twig	Backless	Backed
Weight (lbs)	3858	4189
Area of Base (in ²)	1942	1942
Pressure (lb/in ²)	1.99	2.16

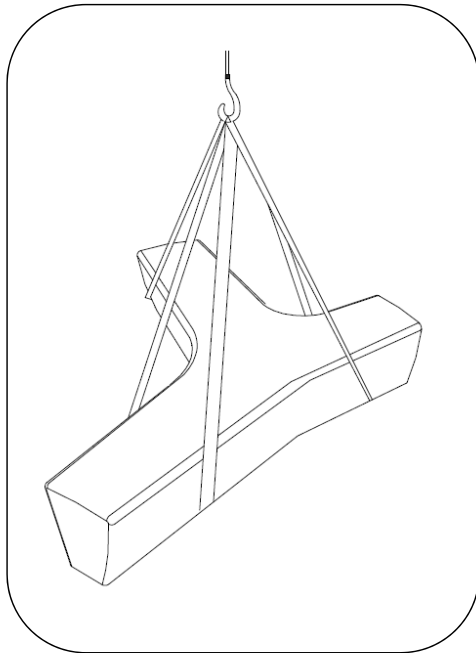


Fig. 1 – Crane install – strap locations

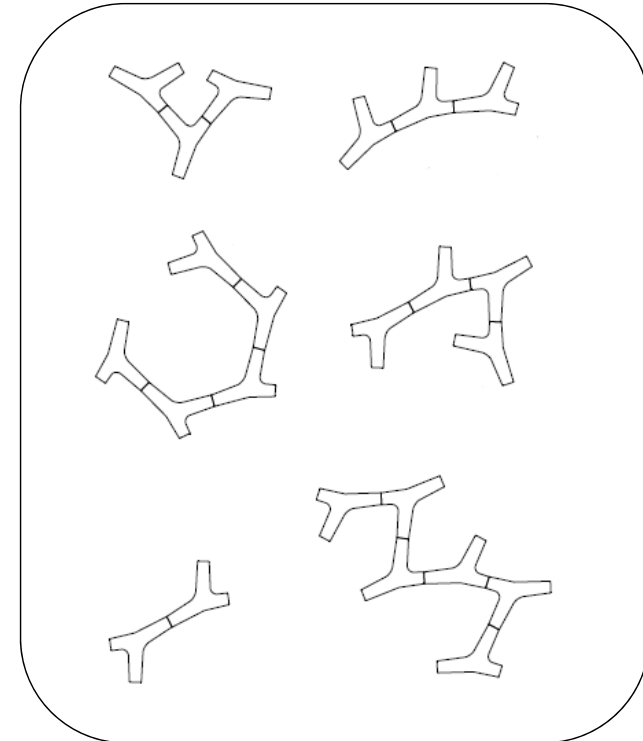


Fig. 2 – Optional configurations