

# Torres Wall Mount Light

landscapeforms®

## Product Data Sheet



Torres lights are a beautiful complement to urban landscapes and traditional and contemporary architecture, improving, but not altering, the composition. The advanced LED array and optic design provides directed warm white light with superior visibility to extend the safe use of outdoor spaces. Torres lights are cast aluminum and offered in a full color palette finished with Landscape Forms proprietary Pangard II® HAPS, VOC, and lead-free polyester powdercoat.

### General Description

- Aluminum wall mount bracket included
- Cast aluminum luminaire ships prewired and fully assembled
- Zero up-light, International Dark-Sky approved
- UL Listed, suitable for wet locations

### Electrical

Surge protected 100V-277V 50/60 Hz, Class 2 integrated dimmable driver. LED cartridge with weatherproof quick disconnect provides ease of installation and serviceability. Torres wall mount light ships prewired

### Torres Wall Mount Light i4

Type 3 Distribution

CCT: 2700K, 3000K, 3500K, 4000K

L70: >100,000 hrs

Drive Current: 1050mA

Optic: LEDiL

Lens: Diffused Acrylite®

Power Supply: 100V-277V


LED Driver: 30W

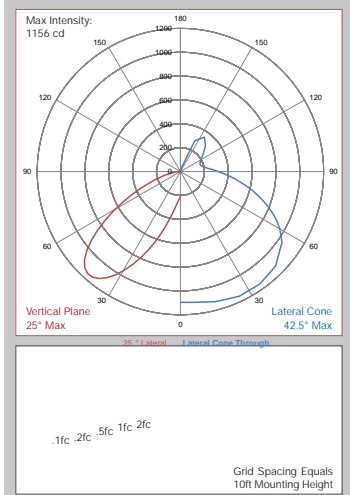
Dimmable: 0-10V

BUG Rating: B0 U0 G1

IP Rating: IP66 for LED Cartridge

Weight: 23 lbs

Torres  Light i4



# Torres Wall Mount Light

landscapeforms®

## Product Data Sheet



### Finish

Pangard II®, offered exclusively by Landscape Forms, is a 19 step program of cleaning, priming, and powdercoating that resists rusting, chipping, peeling and fading to produce the finest metal finish available for site furniture and outdoor lighting. In addition, Pangard II® contains no heavy metals and is free of Hazardous Air Pollutants.

### Product Modifications

Don't see what you are looking for? Our goal is to partner with you as the designer to manufacture solutions needed for the space you are creating. We offer the option to modify our standard product to meet certain design specifications or needs. Contact your local Landscape Forms representative to learn more about these offerings.

### To Order

Specify in order: Product, Lamp, Drive Current, Color Temperature, Input Voltage, Mounting Option, and Powdercoat Color.

Product	Lamp	Drive Current	Color Temp.	Input Voltage	Configuration
AH TORRES	004L3 (i4, 4 LED Type 3)	100F (1050mA)	40K (4000K) 35K (3500K) 30K (3000K) 27K (2700K)	UV1 (100-277VAC)	MW1 (Wall Mount)

EXAMPLE: AH - 004L3 - 100F - 35K - UV1 - MW1 - Powdercoat Color

### Warranty

LED lighting products are warranted for six years.

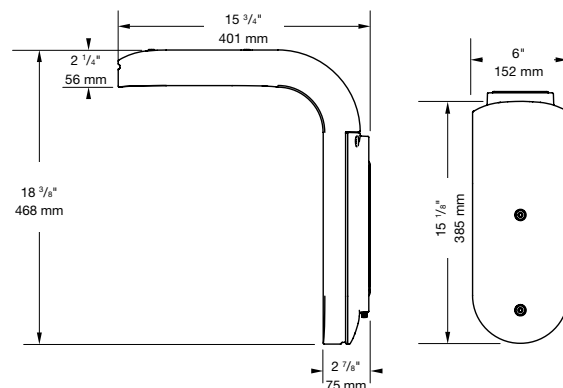
### Other

UL Listed, RoHS Compliant, Dark-Sky Approved



Torres is designed by Rodrigo Torres

[Click here](#) for patent information related to this product.



Visit [landscapeforms.com](http://landscapeforms.com) for more information. Specifications are subject to change without notice. Landscape Forms supports the Landscape Architecture Foundation at the Second Century level.  
©2022 Landscape Forms, Inc. Printed in U.S.A.

[landscapeforms.com](http://landscapeforms.com) | [specify@landscapeforms.com](mailto:specify@landscapeforms.com)