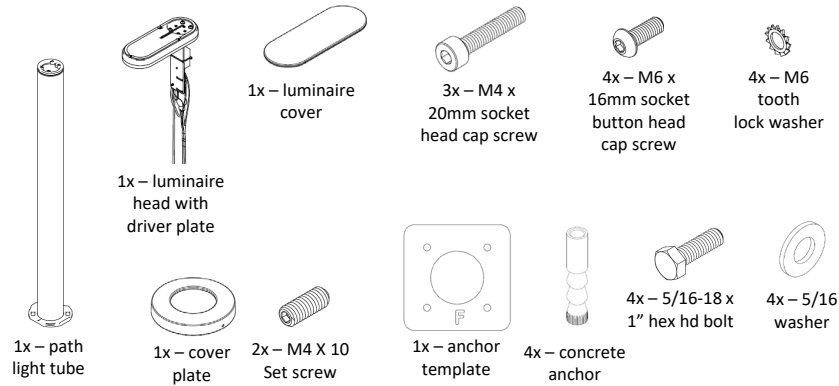




Surface Mount

Included hardware



Tools Required

- Safety glasses
- Screwdrivers
- Wiring tools and connectors
- 1/2" wrench or socket
- Hammer drill, with 1/2" dia bit
- 2mm, 3mm and 4mm hex keys
- Epoxy anchoring system for concrete
- Wire brush and compressed air for clearing anchor holes

WARNING! LED cartridge and driver are not rated for connection or disconnection while energized. Doing so may damage LEDs and will void the warranty. Disconnect incoming power before making or breaking any electrical connections.

LIGHTING LAYOUT RECOMMENDATIONS:

Light pole spacing is the responsibility of others. Refer to the Torres Path Light Product Data Sheet, available on www.landscapeforms.com, for light distribution options.

ASSEMBLE WITH CARE! Pangard II® Polyester Powdercoat is a strong, long-lasting finish. To protect this finish during assembly, place unwrapped powdercoated parts on packaging foam or other non-marring surface. Do not place or slide powdercoated parts on concrete or other hard or textured surface – this will damage the finish causing rust to occur. Use touch-up paint on any gouges in the finish caused by assembly tools.

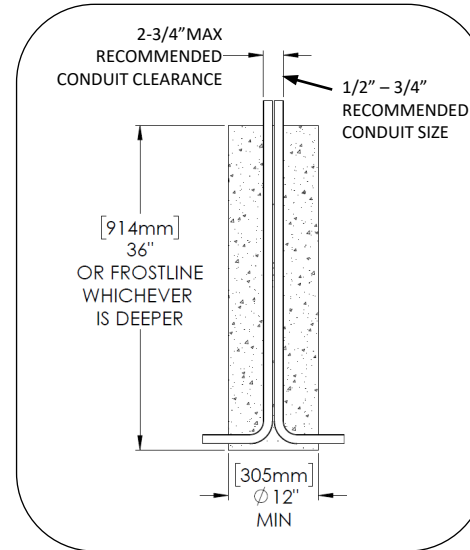


Fig. 1 – Minimum footing recommendation

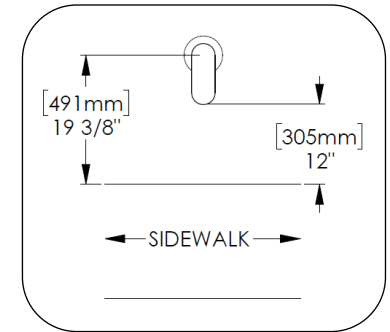


Fig. 2 – Recommended setback from sidewalk

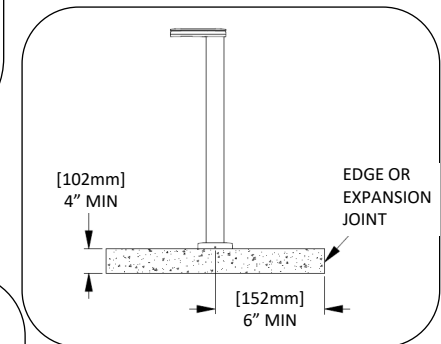


Fig. 3 – Minimum concrete slab size

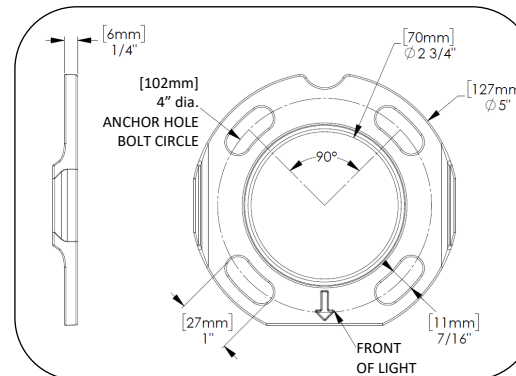


Fig. 4 – Base plate detail

Landscape Forms is not responsible for site preparation and footings. Footing recommendations are included in these instructions.

INSTALLATION PROCEDURE FOR PATH LIGHT:

1. Prepare footing as required by local codes, see Fig. 1, Fig. 2 and Fig. 3 for recommendations.
2. Set wooden anchor template in position over conduit. The 'F' on the template indicates the front of the unit.
3. Mark anchor hole locations and remove the template.
4. Drill holes according to anchor size and depth, see Fig. 6. Clear holes of debris.
5. Attach anchors to wooden anchor template as shown in Fig. 5.
6. Test fit template assembly with anchors into position before installing epoxy. Make any adjustments as necessary to allow concrete anchors to freely install. Concrete anchor should sit centered in hole and not rest against the side of the drilled hole.
7. Add epoxy to anchor holes per epoxy manufacturer's recommendations.
8. Slowly set template assembly with anchors into position. Wipe away any excess epoxy before it cures.
9. Allow epoxy to fully cure. Remove hex bolts and washers. Remove wooden template.
10. Set surface mount pole over concrete anchors and attach using hex bolts and washers as shown in Fig. 6. Align arrow on base plate with front location of path light.
11. Install cover plate over pole. Secure with 2 set screws (included). Align screws with two flat sides of base plate. See Fig. 7.
12. Make wiring connections (refer to page 3) between driver plate and line-in supply wiring, see Fig. 8.
13. Secure luminaire and driver plate assembly to pole with (4) M6 screws and lock tooth washers, see Fig. 8.
14. Attach luminaire cover with (3) M4 screws, see Fig. 9.

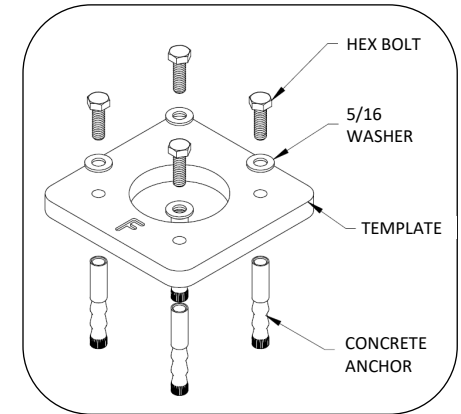


Fig. 5 – Assembly template and anchors

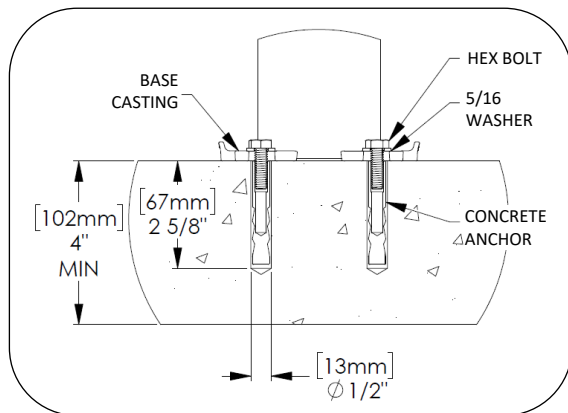


Fig. 6 – Anchor detail

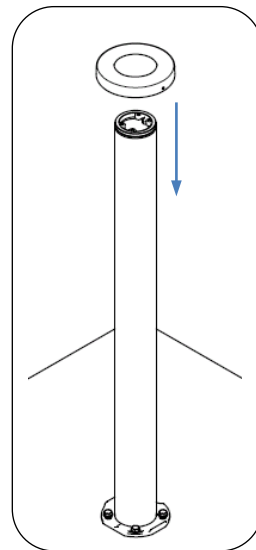


Fig. 7 – Install cover plate

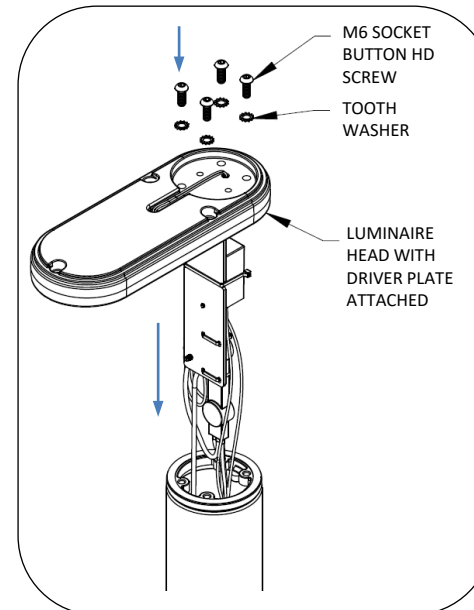


Fig. 8 – Install luminaire and driver plate

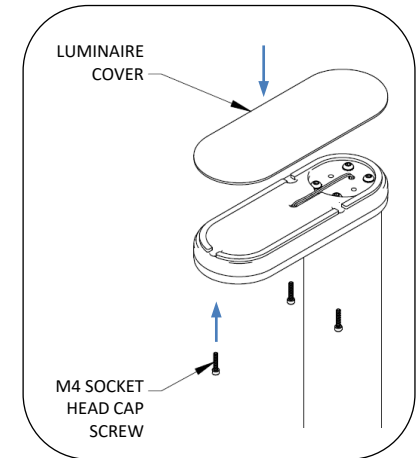


Fig. 9 – Install luminaire cover

PROCEDURE FOR WIRING PATH LIGHT:

The following schematic is to be used to connect the unit to line voltage. It is the responsibility of the installer to make sure that all connections are made in accordance with the NEC and local building codes. Connection hardware not included.

WARNING!: LED cartridge and driver are not rated for connection or disconnection while energized. Doing so may damage LEDs and will void the warranty. Disconnect incoming power before making or breaking any electrical connections.

INSTALLATION AND SERVICE SHOULD ONLY BE PERFORMED BY QUALIFIED PERSONNEL.

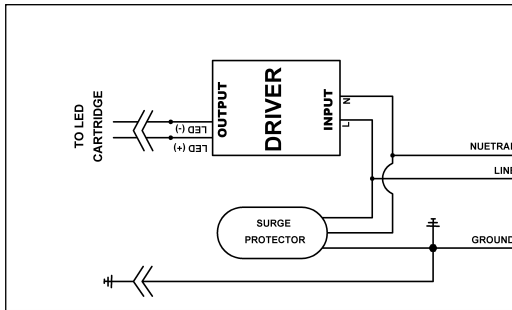


Fig. 10 – Path light wiring schematic



Embedded

Included hardware



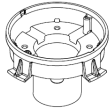
1x – path light tube



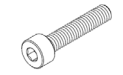
1x – luminaire head with driver plate



1x – luminaire cover



1x – socket



3x – M4 x 20mm socket head cap screw



1x – cover plate



4x – M6 x 16mm socket button head cap screw



4x – 5/16-18 x 1" hex hd bolt



4x – M6 tooth lock washer



4x – 5/16 washer

Tools Required

- Safety glasses
- Screwdrivers
- Wiring tools and connectors
- 1/2" wrench or socket
- 3mm and 4mm hex keys

WARNING! LED cartridge and driver are not rated for connection or disconnection while energized. Doing so may damage LEDs and will void the warranty. Disconnect incoming power before making or breaking any electrical connections.

LIGHTING LAYOUT RECOMMENDATIONS:

Light pole spacing is the responsibility of others. Refer to the Torres Path Light Product Data Sheet, available on www.landscapeforms.com, for light distribution options.

ASSEMBLE WITH CARE! Pangard II® Polyester Powdercoat is a strong, long-lasting finish. To protect this finish during assembly, place unwrapped powdercoated parts on packaging foam or other non-marring surface. Do not place or slide powdercoated parts on concrete or other hard or textured surface – this will damage the finish causing rust to occur. Use touch-up paint on any gouges in the finish caused by assembly tools.

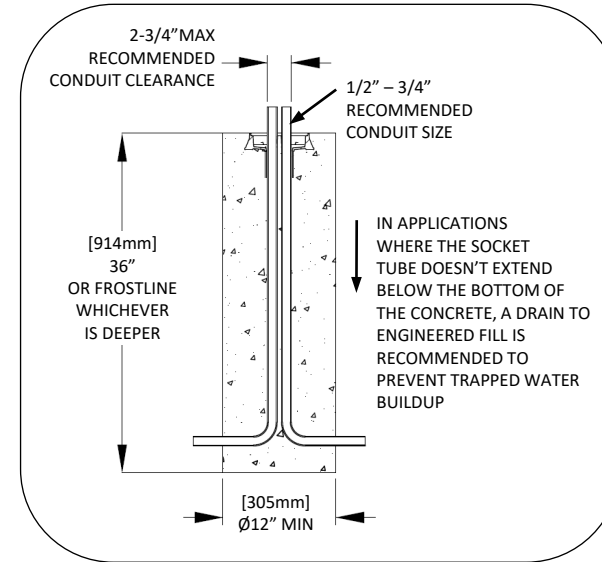


Fig. 1 – Minimum footing recommendation

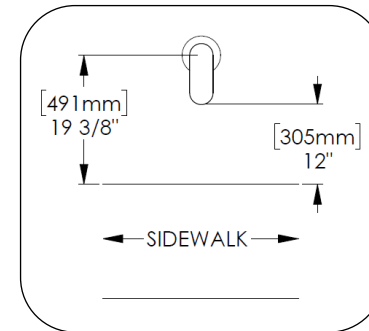


Fig. 2 – Recommended setback from sidewalk

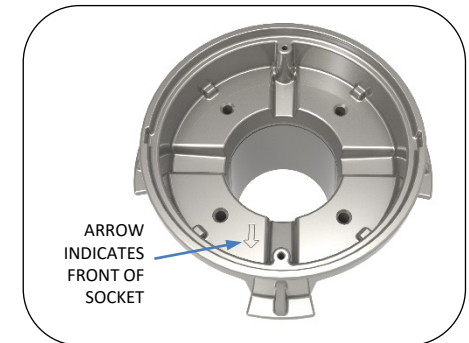


Fig. 3 – embed socket detail

Landscape Forms is not responsible for site preparation and footings. Footing recommendations are included in these instructions.

INSTALLATION PROCEDURE FOR PATH LIGHT:

NOTE: The embedded pathlight is designed to be installed in new concrete.

1. Prepare footing as required by local codes, see Fig. 1 and Fig. 2 for recommendations.
2. Set socket in place. Verify that socket is in the correct orientation. See Fig. 3 and Fig. 4. Seal bottom of socket tube around conduit to prevent concrete from entering the socket. Top of socket should be flush with top of concrete. Concrete should be cured before proceeding with steps 3-7.
3. Set pole in socket and attach using hex bolts and washers as shown in Fig. 5. Align arrow on base plate with front location of path light.
4. Install cover plate over pole. See Fig. 6. Ensure nut on cover plate is facing down.
5. Make wiring connections (refer to page 3) between driver plate and line-in supply wiring, see Fig. 7.
6. Secure luminaire and driver plate assembly to pole with (4) M6 screws and lock tooth washers, see Fig. 7.
7. Attach luminaire cover with (3) M4 screws, see Fig. 8.

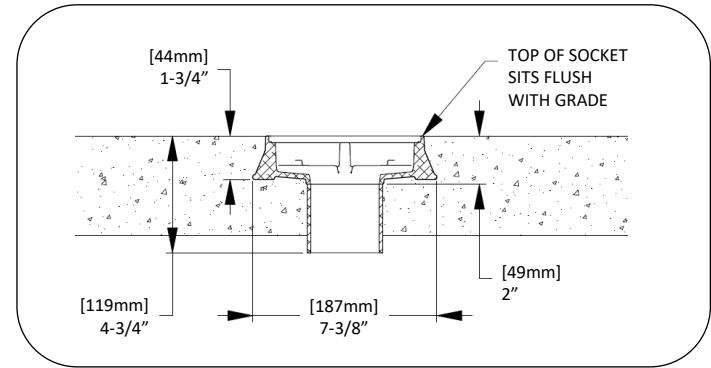


Fig. 4 – socket in new concrete

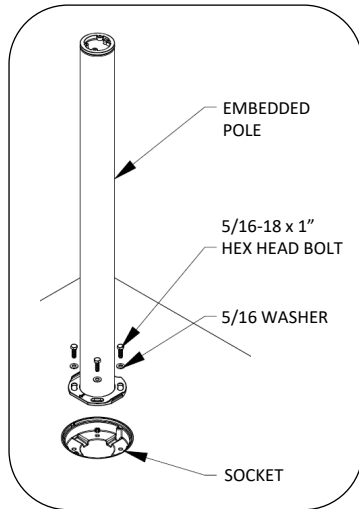


Fig. 5 – Install cover plate

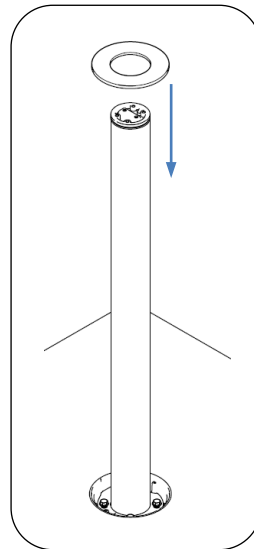


Fig. 6 – Install cover plate

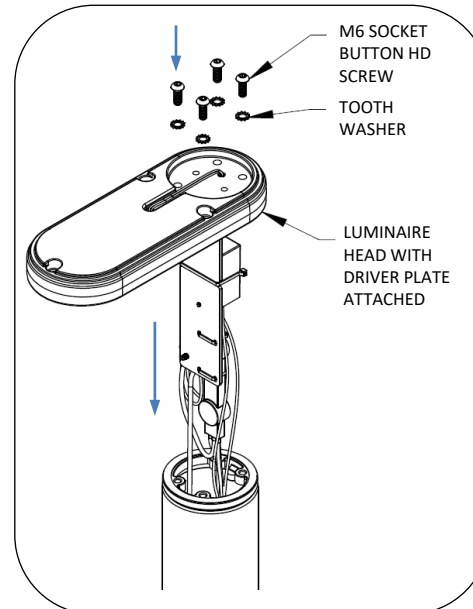


Fig. 7 – Install luminaire and driver plate

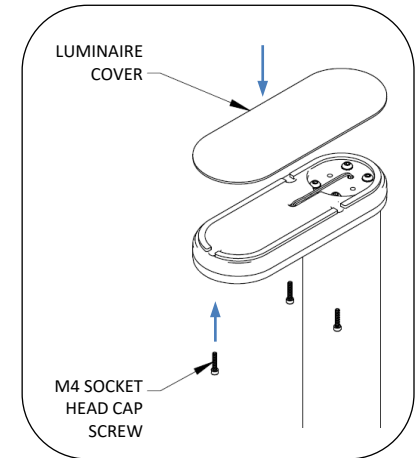


Fig. 8 – Install luminaire cover

PROCEDURE FOR WIRING PATH LIGHT:

The following schematic is to be used to connect the unit to line voltage. It is the responsibility of the installer to make sure that all connections are made in accordance with the NEC and local building codes. Connection hardware not included.

WARNING!: LED cartridge and driver are not rated for connection or disconnection while energized. Doing so may damage LEDs and will void the warranty. Disconnect incoming power before making or breaking any electrical connections.

INSTALLATION AND SERVICE SHOULD ONLY BE PERFORMED BY QUALIFIED PERSONNEL.

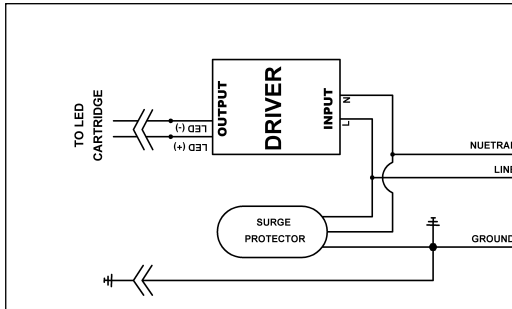


Fig. 9 – Path light wiring schematic