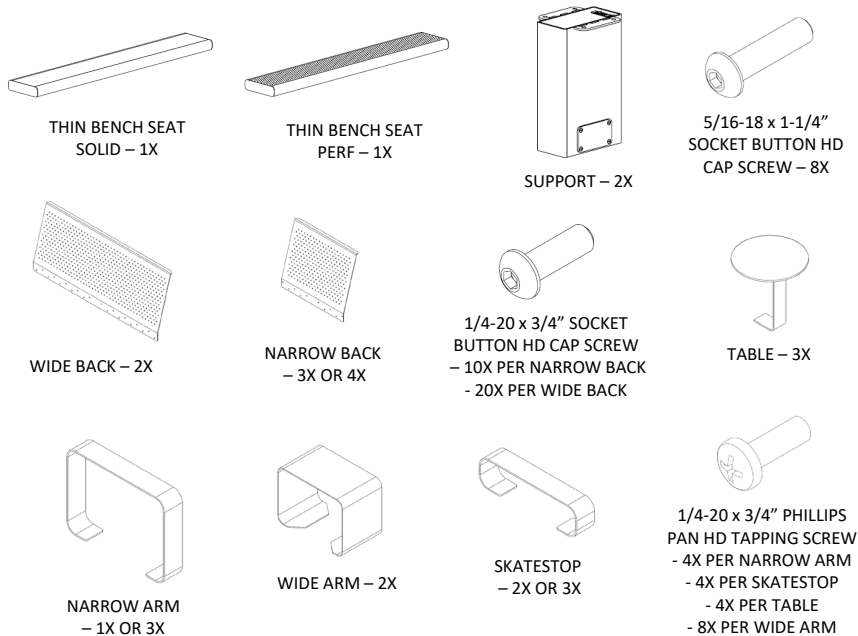


Included components:



ASSEMBLE WITH CARE! Pangard II® Polyester Powdercoat is a strong, long-lasting finish. To protect this finish during assembly, place unwrapped powdercoated parts on packaging foam or other non-marring surface. Do not place or slide powdercoated parts on concrete or other hard or textured surface – this will damage the finish causing rust to occur. Use touch-up paint on any gouges in the finish caused by assembly tools.

Tools required for assembly

- Safety glasses
- (4) anchors per support, max Ø3/8"
- masonry drill bit
- compressed air for clearing holes of debris
- 1/8" hex key for removing cover plate
- 3/16" hex key for attaching support to seat
- 5/32" hex key for attaching backs to seat
- Phillips screwdriver or bit for attaching arms, skatestops or table to seat

PROCEDURE FOR ASSEMBLY:

1. Set thin beam seat upside down on protective surface. Set support columns in position. Refer to site plans for correct placement of support columns. Support columns can be installed in both outside positions, or both inside positions, see Fig. 1. If installing bench in front of a three bay Theory shelter, supports in the outside positions visually align with the shelter posts. Cover plate access hole should be installed toward the middle of the bench.
2. Attach each support column to seat using (4) 5/16-18 x 1-1/4" socket button head cap screws, see Fig. 2. Remove cover plates and set aside for later use, see Fig. 3
3. Set bench in position. NOTE: the seat panel has tapped holes on one side for back attachment, see Fig. 4. Units with two wide backs have a different seat panel than units with three/four narrow backs. When setting bench in position to mark holes, verify that seat panel is oriented correctly to allow for back installation.
4. Mark anchor hole locations. Move bench and drill holes according to anchor manufacturer's recommendations.
5. Set unit back in position and install four anchors per support. Tighten securely.
6. Reattach cover plates.
7. Attach arms or skatestops before attaching backs, if specified. See Figs 5-8. Slide arms or skatestops into position from the ends of the bench. Arms and skatestops will flex enough to slide past support columns. Tighten until snug, do not overtighten.
8. Attach backs, if specified, see Figs. 9-11. Refer to Fig. 4 for hole locations and proper placement of various back configurations.
9. Attach tables, if specified, see Fig. 8. Tighten until snug, do not overtighten.

NOTE: If final placement of bench doesn't allow access for installation of backs or arms, attach the accessories to the bench before anchoring unit in position. Brace bench until it can be anchored.

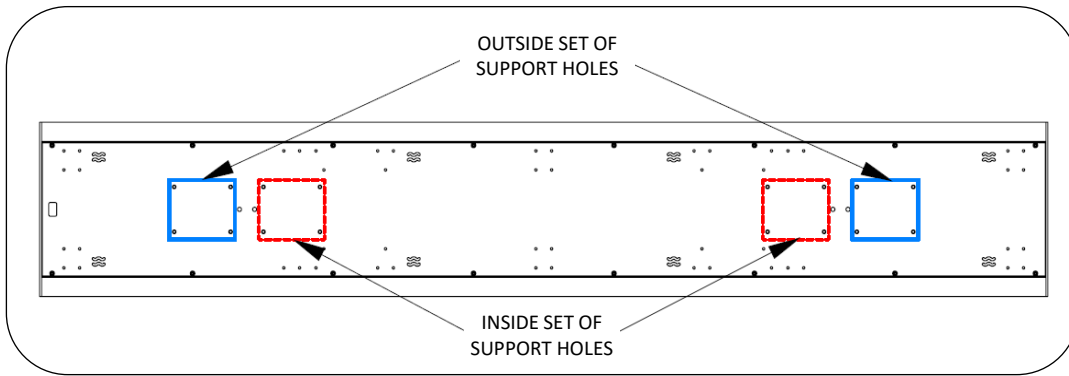


Fig. 1 – support attachment hole locations

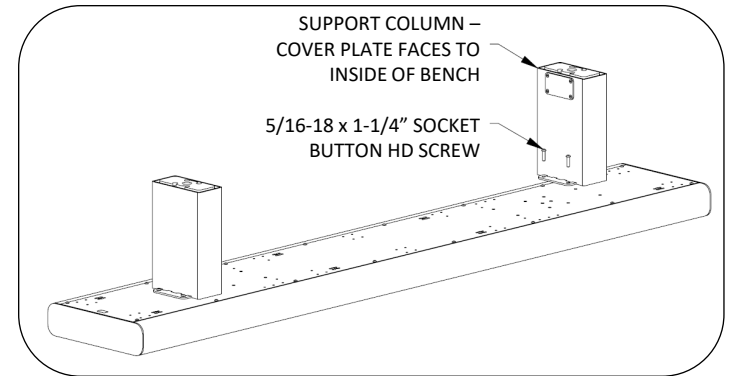


Fig. 2 – attach support to seat panel

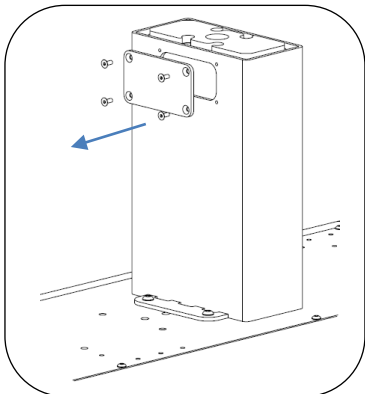


Fig. 3 – remove cover plate

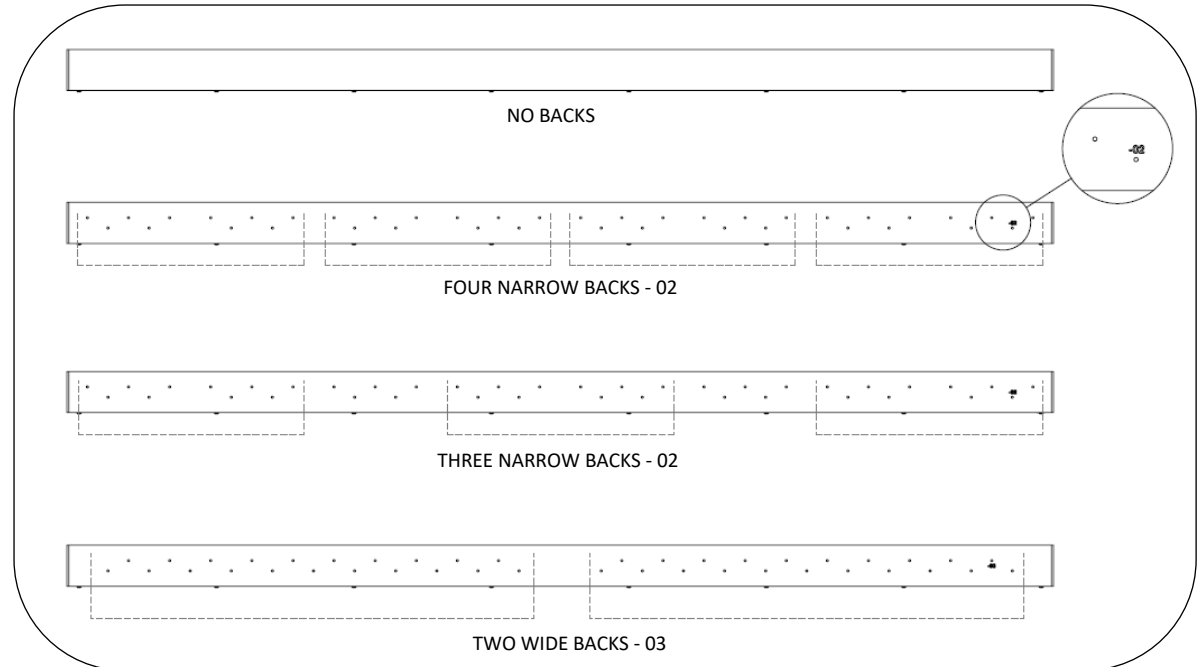


Fig. 4 – hole patterns for narrow and wide backs

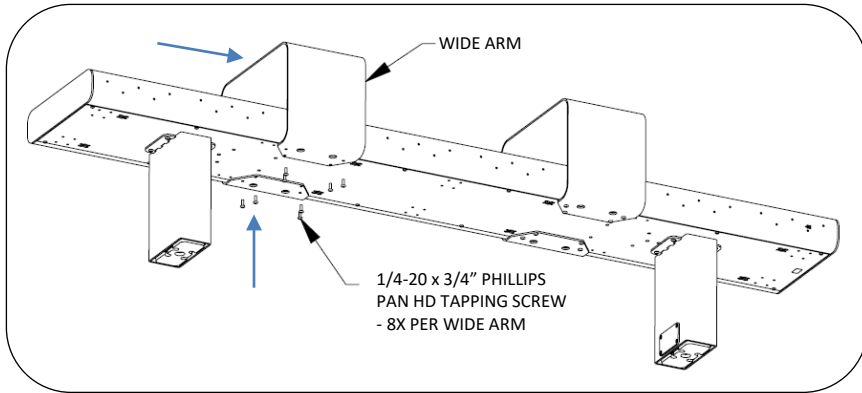


Fig. 5 – attach wide arms

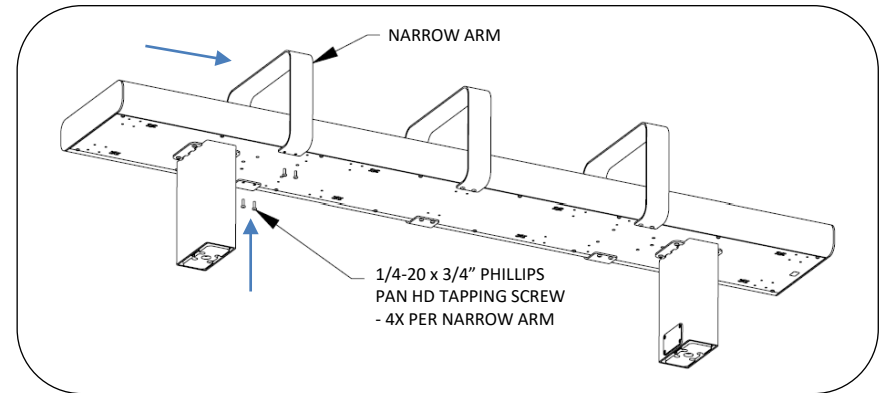


Fig. 6 – attach narrow arms

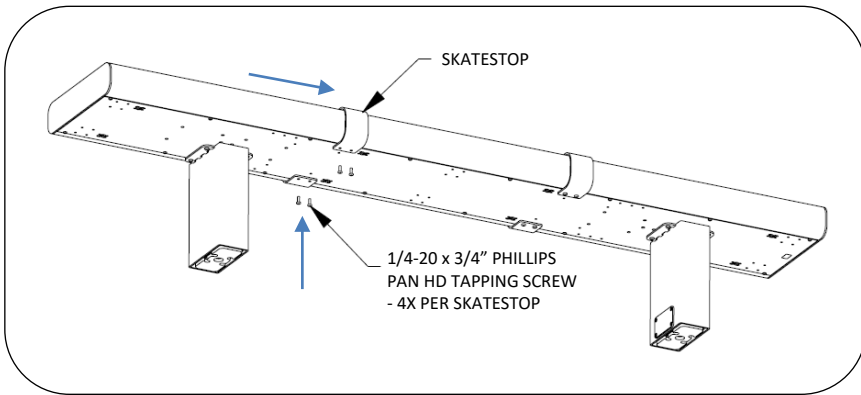


Fig. 7 – attach skatestops

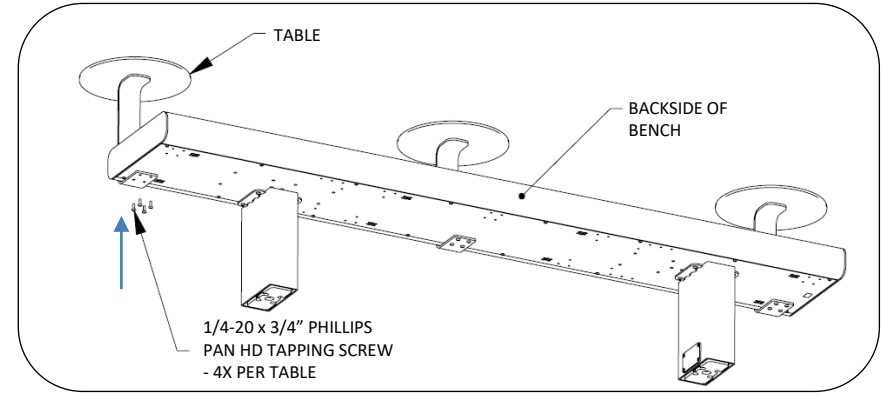


Fig. 8 – attach tables

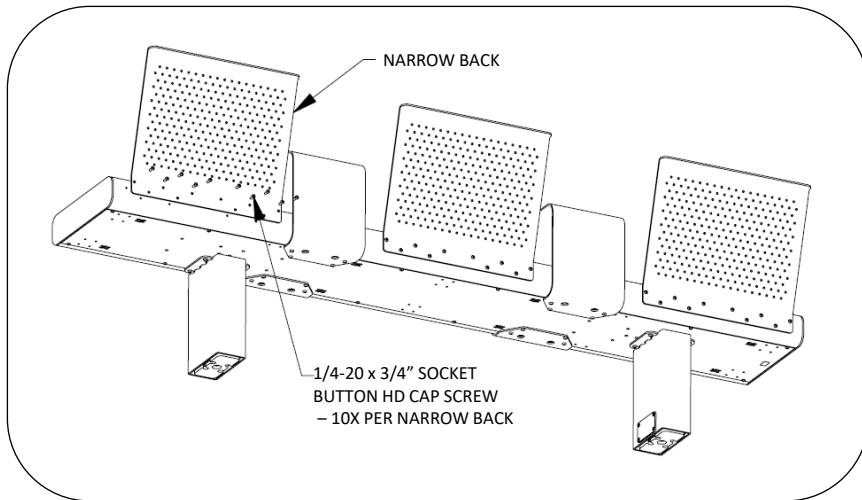


Fig. 9 – attach three narrow backs

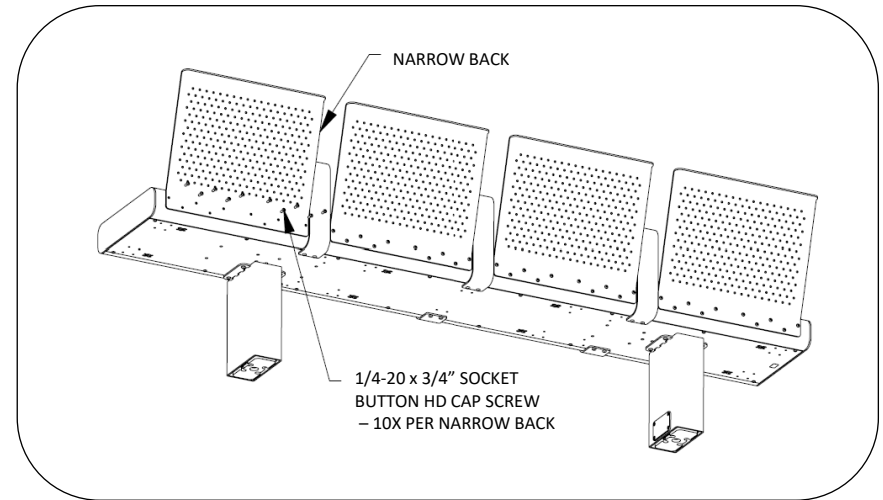


Fig. 10 – attach four narrow backs

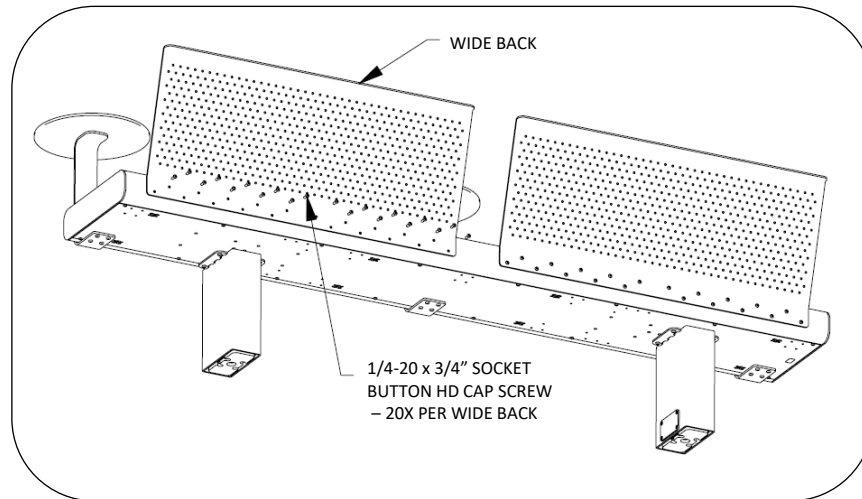


Fig. 10 – attach two wide backs