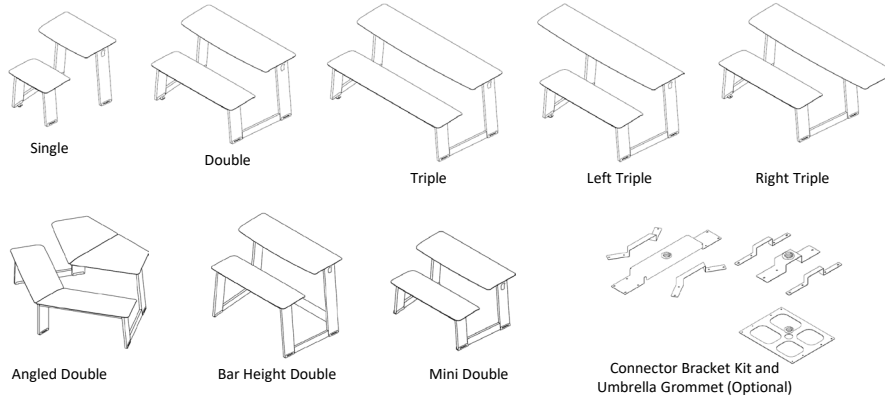


# Take-Out | Tables

## Installation Guide

### INCLUDED COMPONENTS:

- Table ships fully assembled. Reassembly required for connecting tables.



### TOOLS REQUIRED FOR SURFACE MOUNT OPTION

- Safety glasses
- (4) Max  $\varnothing 3/8''$  non-corrosive anchors per table

### TOOLS REQUIRED FOR CONNECTING TABLES

- Hex keys,  $3/16''$

**ASSEMBLE WITH CARE!** Pangard II® Polyester Powdercoat is a strong, long-lasting finish. To protect this finish during assembly, place unwrapped powdercoated parts on packaging foam or other non-marring surface. Do not place or slide powdercoated parts on concrete or other hard or textured surface – this will damage the finish causing rust to occur. Use touch-up paint on any gouges in the finish caused by assembly tools.

### PROCEDURE FOR SURFACE MOUNTING:

**Note:** Unit ships fully assembled. Freestanding unit can be set in place. **DO NOT DRAG** unit across concrete or other rough surfaces. This could damage the powder coat finish.

1. Set unit in position. Mark hole locations.
2. Move unit out of position. Drill holes according to anchor manufacturer's recommendations. Clear holes of debris.
3. Move unit back into position and install anchors (see Fig. 1).

### PROCEDURE FOR CONNECTING TABLES:

**Note:** It is recommended to surface mount units when connected using the connector bracket kit. **Units must be surface mounted if an umbrella is used.** Single units do **not** have an umbrella hole option or a center connector bracket.

1. Set units in position and facing front-to-front. The gap between the tabletops will be approximately  $1/8''$  (see Fig. 2). Left and Right Triple units must be aligned as shown in Fig. 3.
2. Using a  $3/16''$  hex, uninstall the 5/16-18 button head screws and washers on both units on the same side of each unit corresponding to the connector bracket being installed. Install the connector bracket with the previously removed hardware as shown in Fig 2.  
**WARNING! Do not uninstall all screws as tabletops will become unstable and may detach from the units and cause damage or injury.**  
**Note:** Connector brackets with the umbrella hole will be positioned in the center.
3. Repeat steps 2 and 3 for the next connector bracket if applicable.
4. Adjust units to final position for surface mounting according to procedure for surface mounting.
5. If the umbrella hole option is present on units, install the provided umbrella grommet in the opening of the connected tables (see Fig. 3). Follow umbrella installation instructions.

# Take-Out | Tables

Installation Guide

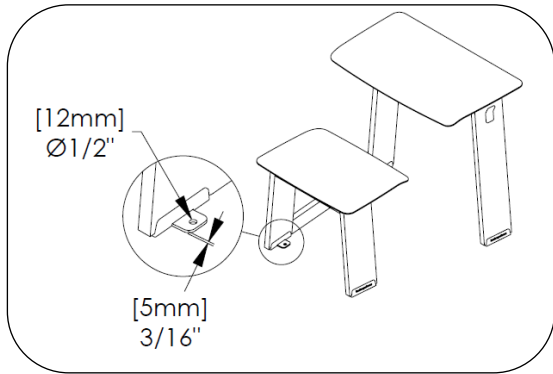


Fig. 1

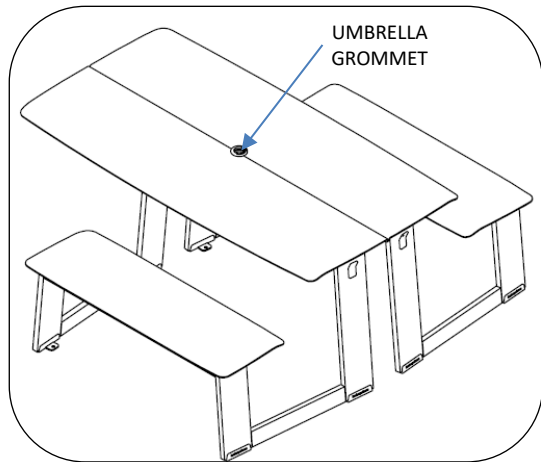


Fig. 3

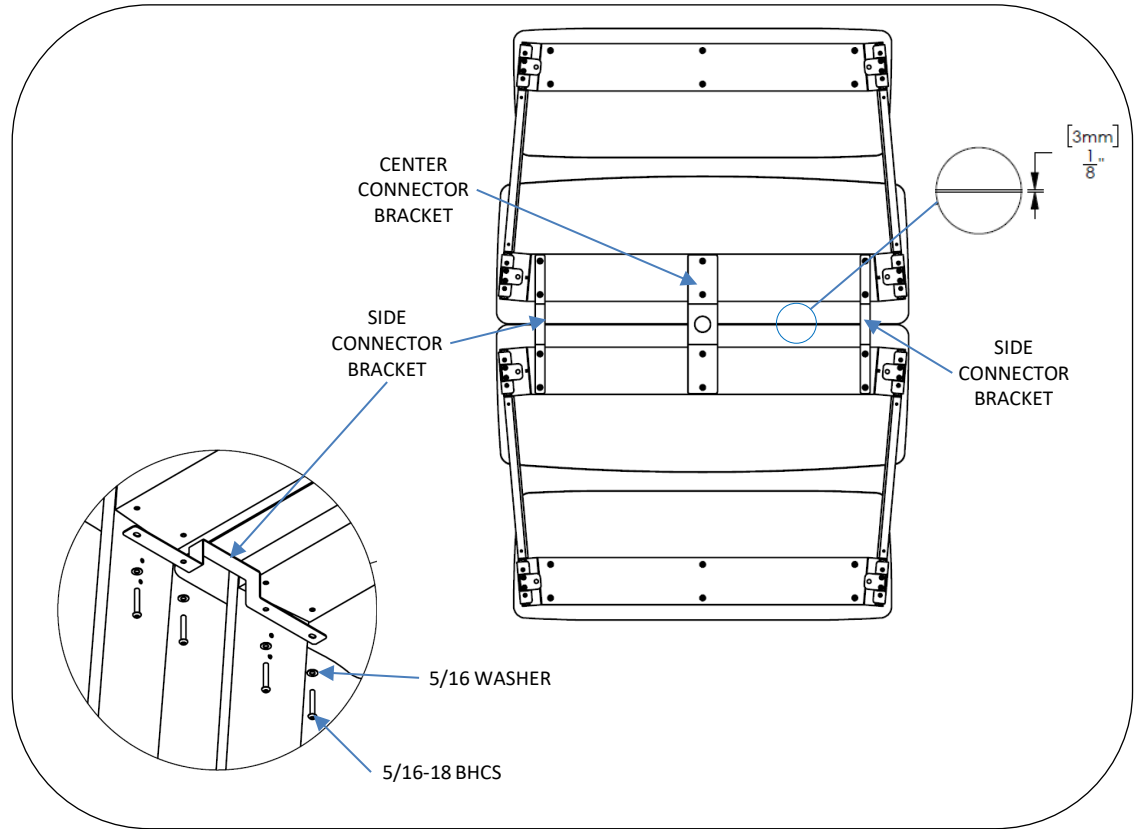


Fig. 2