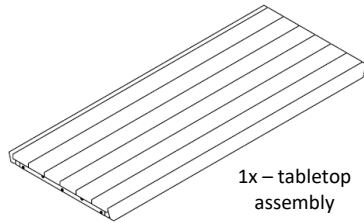


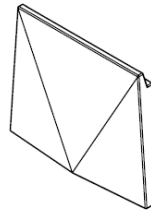
proper lifting

Included components:

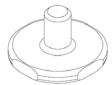
- (1) tabletop assembly
- (2) end supports
- (1) hardware pack for attaching tabletop to supports
- For freestanding: (2) stainless steel adjustable glides
- For surface mount: (4) each surface mt tabs, 3/8-16 x 5/8" Flat head cap screws
- For embedded: (4) 3/8-16 threaded rods



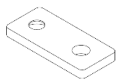
1x – tabletop assembly



2x – end supports



4x – glide (freestanding)



4x – surface Mount tabs



4x – FHCS (surface mt only)



4x – threaded rod (embedded only)



10x – 3/8-16 x 1" Torx button head screws And washers

Tools Required for Surface mount or Embedded option:

- Safety glasses
- T45 Torx bit
- Hammer drill with masonry bits
- (4) non-corrosive anchors, max 3/8" diameter (surface mount option)
- 7/32" hex key (surface mount option)
- 1-1/4" thin wrench for adjusting or removing freestanding glides
- Chemical anchoring adhesive (Hilti HIT RE 500 or equivalent) (embedded option)
- Proper lifting equipment with protective padding (table weighs approx. 500 lbs)

PROCEDURE FOR INSTALLATION:

1. Prepare proper concrete slab as required.

**Important!**

- Do NOT drag table across concrete or other rough surfaces.
- Do NOT drop the table – lower gently into place.

For table assembly:

1. Install glides (Fig. 1), surface mount tabs (Fig. 2) or embedded rods (Fig. 3) into each Meldstone support.
2. Set supports in approximate location of table placement on site.
3. Attach tabletop assembly to supports using (5) 3/8-16" x 1" Torx button head cap screws and washers on each support. Ensure that adhesive backed pad is attached to each side of tabletop to create barrier between metal frame and concrete support, see Fig. 4.

For FREESTANDING table:

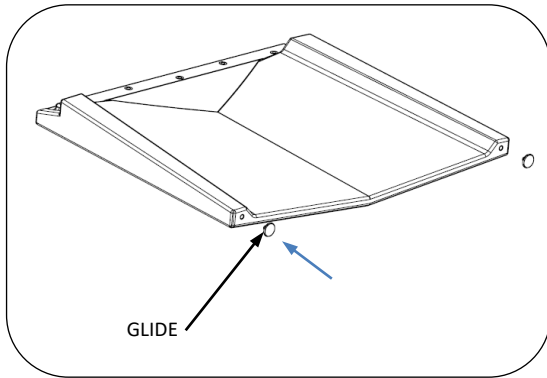
1. The stainless steel glides have flat sides to allow a 1-1/4" thin wrench to adjust.

For SURFACE MOUNT table:

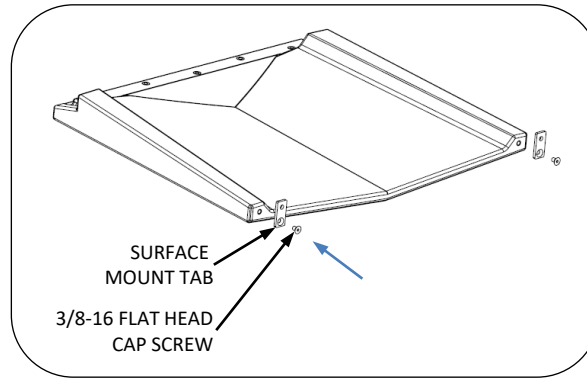
1. Set table in place and mark hole locations.
2. Move table and drill holes according to diameter and depth required by surface mount anchor manufacturer. Clear holes of debris.
3. Set table back in position and install surface mount anchors per manufacturer's instructions.

For EMBEDDED table:

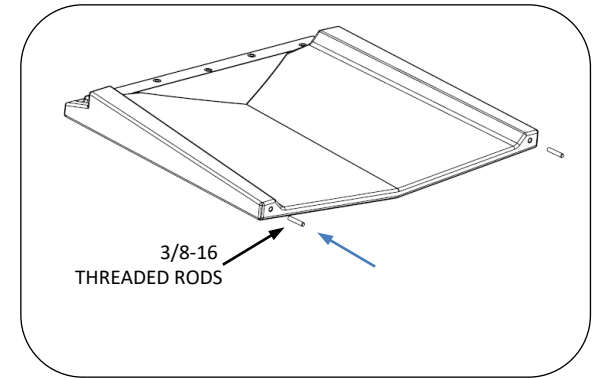
1. Support table and set into position.
2. Trace around threaded rods to mark hole locations.
3. Move table and drill holes per anchoring epoxy manufacturer's recommendations. Clear holes of debris.
4. Test fit table into position, ensuring that the threaded rods are not resting on the bottom of the drilled holes.
5. Remove table and fill holes with epoxy.
6. Set table in position. Wipe away excess epoxy before it begins to cure.



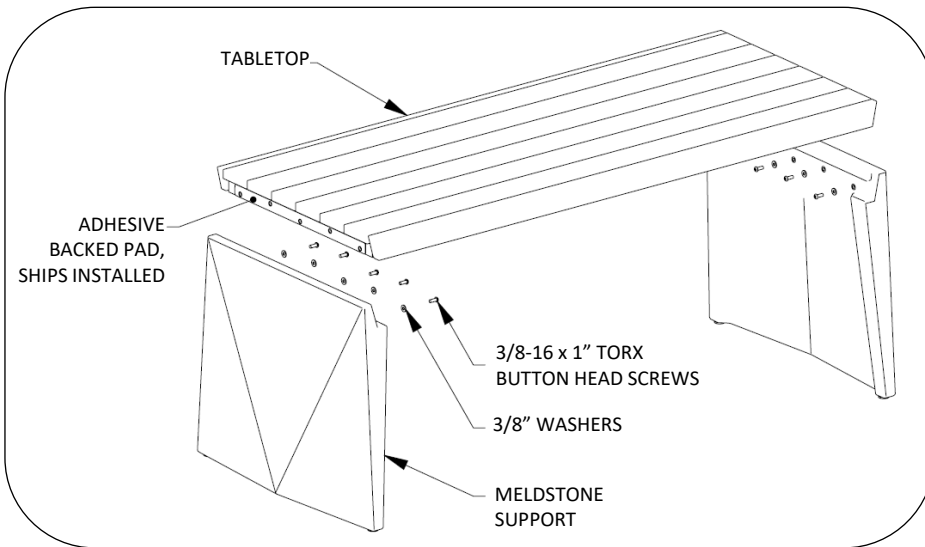
**Fig. 1 – Attach glides - FREESTANDING**



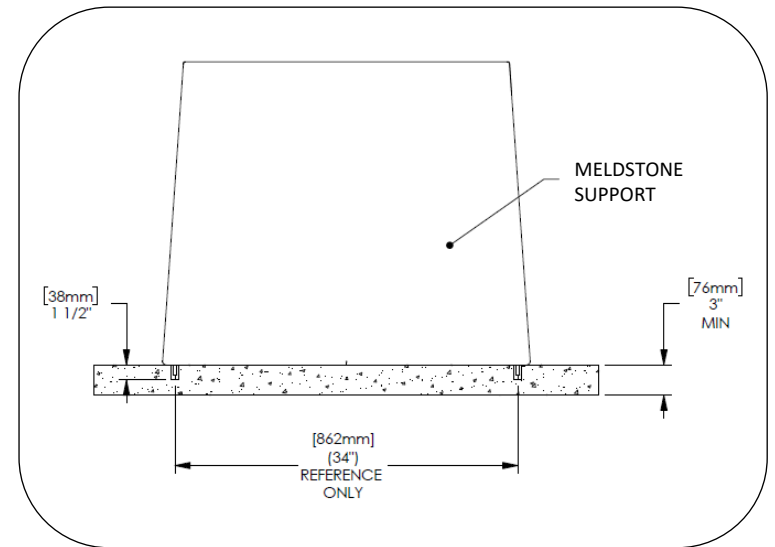
**Fig. 2 – Attach anchor tabs – SURFACE MOUNT**



**Fig. 3 – Attach threaded rods - EMBEDDED**



**Fig. 4 – Assemble tabletop to supports**



**Fig. 5 – Embedded anchoring detail**

**ASSEMBLE WITH CARE!** Pangard II® Polyester Powder coat is a strong, long-lasting finish. To protect this finish during assembly, place unwrapped powder coated parts on packaging foam or other non-marring surface. Do not place or slide powder coated parts on concrete or other hard or textured surface – this will damage the finish causing rust to occur. Use touch-up paint on any gouges in the finish caused by assembly tools.