

Included components:

- (2) M16 x 140mm bolts for anchoring.
- Unit must be anchored.

Tools required:

- Proper equipment to move 375lbs.
- Wood supports or straps if using crane or forklift to move unit
- Wrench, 24mm
- Chemical anchoring adhesive
- Hammer drill with $\varnothing 1\text{-}1/2''$ [40mm] dia masonry drill bit

INSTALLATION:

Determine placement of bench. (MUST BE ANCHORED)

1. Set in place with proper equipment such as a forklift or crane. See Fig. 1.
2. Mark hole locations.
3. Drill holes according to Fig. 2 and Fig. 3.
4. Lift unit and install M16 x 140mm bolts. Thread in until tight.
5. Fill holes with chemical anchoring adhesive
6. Lower unit over holes.
7. Unit can be installed over pavers.

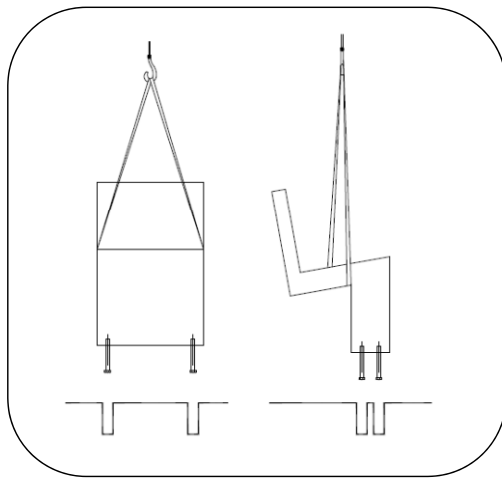


Fig. 1 – Crane install

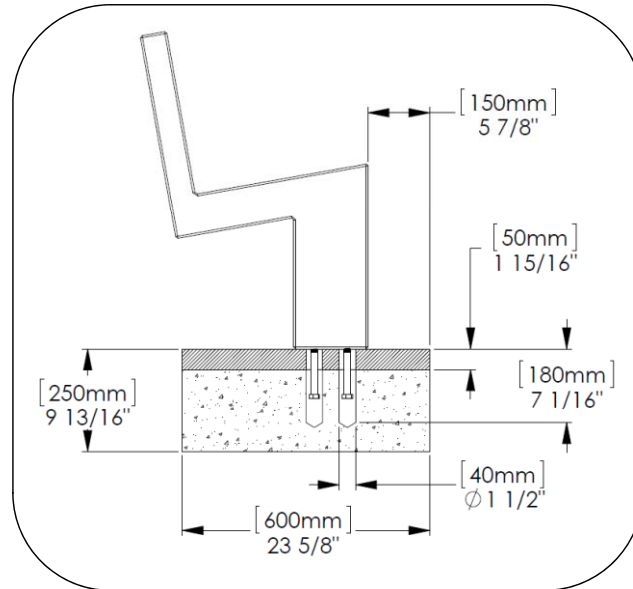


Fig. 2 – Side elevation of footing detail

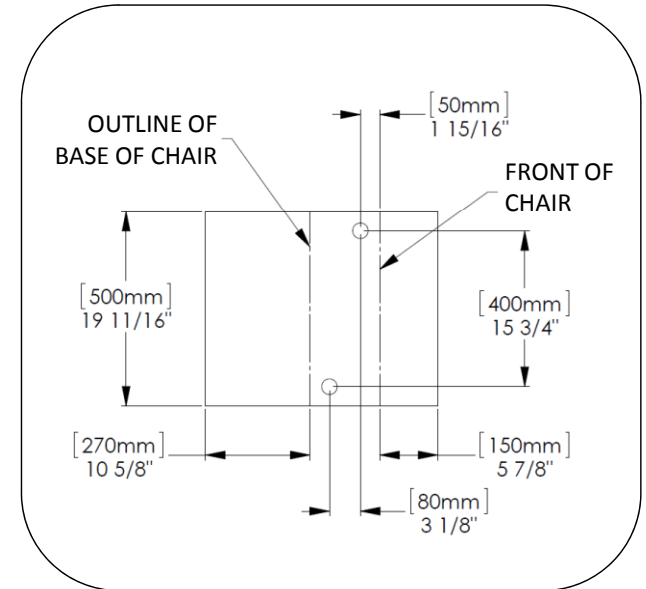


Fig. 3 – Plan view of footing detail