

Single

Double

Triple

Included components:

- Unit ships fully assembled

Tools required:

- Non-corrosive anchoring hardware, if specified. (2) required per unit. Maximum 3/8" diameter.
- Flat head screwdriver for adjusting glides

INSTALLATION:

1. Set unit in position.
2. Level unit if necessary. Open door and remove liner. Adjust glides using flat head screwdriver.

CONTINUE FOR SURFACE MOUNT INSTALLATION:

3. Mark hole locations. Larger 1/2" diameter holes are for surface mounting. Smaller 5/16" diameter holes are drain holes.
4. Move unit and drill holes according to anchor manufacturer's recommendations. See Fig. 3 for base casting dimensions. Dimensions apply to all unit sizes. See product drawings for center to center hole spacing.
5. Set unit back in place and install anchors according to anchor manufacturer's recommendations.

ASSEMBLE WITH CARE! Pangard II® Polyester Powdercoat is a strong, long-lasting finish. To protect this finish during assembly, place unwrapped powdercoated parts on packaging foam or other non-marring surface. Do not place or slide powdercoated parts on concrete or other hard or textured surface – this will damage the finish causing rust to occur. Use touch-up paint on any gouges in the finish caused by assembly tools.

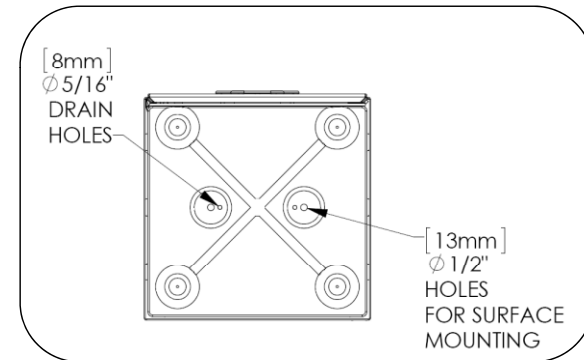


Fig. 1 – Bottom view of single unit base

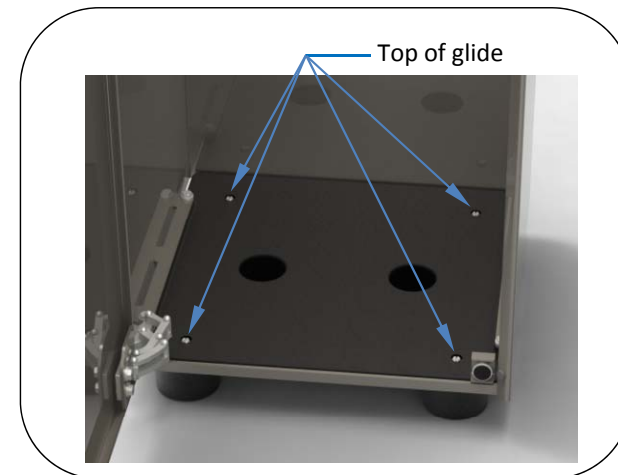


Fig. 2 – Base view showing tops of glides

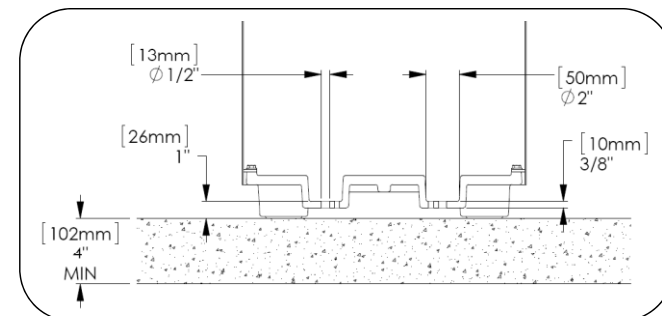


Fig. 3 – Section view of single unit base