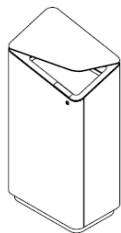


Top opening



Side opening

Tools Required:

- Unit ships assembled

Surface mounting:

- Hammer drill with masonry bits
- Non-corrosive anchoring hardware, (2) required per unit (not included). Landscape Forms, Inc. recommends maximum $\varnothing 1\frac{1}{2}$ " anchors, with max $\varnothing 1\text{-}3\frac{1}{8}$ " washers.

INSTALLATION PROCEDURE:

Note: Freestanding unit ships fully assembled. Unit can be set in position.

Warning! Units are heavy. Proper personnel and equipment required to lift/move 217lbs (top opening litter) or 237lbs (side opening litter). Do not lift unit by the lid.

FOR SURFACE MOUNT:

1. Set unit in position. Open door to access anchor hole locations in base. Check for door opening clearances before anchoring. See Fig. 3 for recommended spacing of multiple units.
2. Mark hole locations using the center of the slots, see Fig. 1.
3. Move unit and drill holes. Clear debris from holes.
4. Set unit in place and install anchor bolts (not supplied by Landscape Forms) according to anchor manufacturer's instructions. Anchor bolts should be long enough to account for base thickness, see Fig. 2.

ASSEMBLE WITH CARE! Pangard II® Polyester Powdercoat is a strong, long-lasting finish. To protect this finish during assembly, place unwrapped powdercoated parts on packaging foam or other non-marring surface. Do not place or slide powdercoated parts on concrete or other hard or textured surface – this will damage the finish causing rust to occur. Use touch-up paint on any gouges in the finish caused by assembly tools.

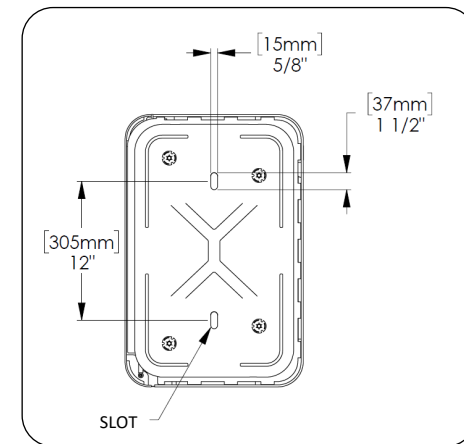


Fig. 1 – Slots for anchoring

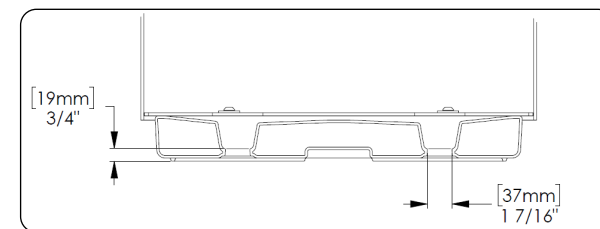


Fig. 2 – Base section detail

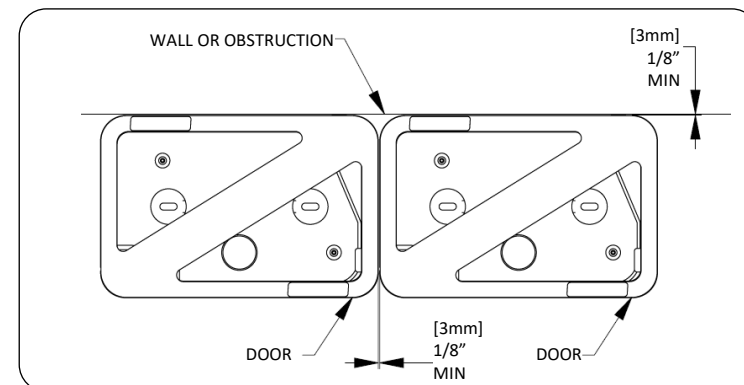


Fig. 3 – Recommended spacing