

Profile Area Light

landscapeforms®

Spec Sheet | BW400



The Profile family of lights creates beautiful and intentional light emanating from a refined, minimalist design. Shadows from Profile's I-beam channels and modular design build a light experience like no other, creating poetry between the sculptural form and the play of light upon the object and its surroundings. Profile features a palette of configurable options that creates an aesthetic and performance to fit a variety of applications - from large, open areas and narrow pathways to landscape beds and building entrances.

Housing & Materials

One-piece welded pole made from hollow extruded aluminum 'H' sections with machined aluminum base and transition plates. Two-piece cast aluminum base cover with hidden fasteners.

Electrical

Surge protected 120V through 277V 50/60Hz electronic driver, 0-10V dimming, -40°C start temperature. Cast aluminum driver compartment doors with weather-tight seal assembly located at bottom of pole. Available with optional ANSI C136.41 twist lock receptacle.

Light Engines

The Profile area light includes performance light(s) and optional grazing lights. The performance light has a die-cast aluminum cover with a replaceable LED cartridge with die-cast aluminum heatsink, high power LEDs on RoHS compliant circuit board, and secondary optics. Sealed, UV stable, impact modified frosted or clear acrylic lens. Unit mounts to pole with magni-coated hardware.

The optional grazing light has a replaceable LED cartridge that consists of a die-cast aluminum body with high power LEDs on RoHS compliant circuit board, secondary optics, and injection molded cutoff baffle. Sealed, UV stable, impact modified clear acrylic lens. Unit mounts to pole with magni-coated hardware.

The optional foot light has a replaceable LED cartridge that consists of machined aluminum body with high power LED on RoHS compliant circuit board, Sealed, UV stable, impact modified diffused acrylic lens. Unit mounts to driver compartment door with magni-coated hardware.

All lighting engines are available in 2700K, 3000K, 3500K, and 4000K. >80CRI across all available color temperatures.

Distributions



TII



TIII



TIV

Warranty

LED lighting products are warranted for six years.

Certification

UL Listed for Wet Location, CE, Buy America Compliant, RoHS Compliant, Dark-Sky Approved



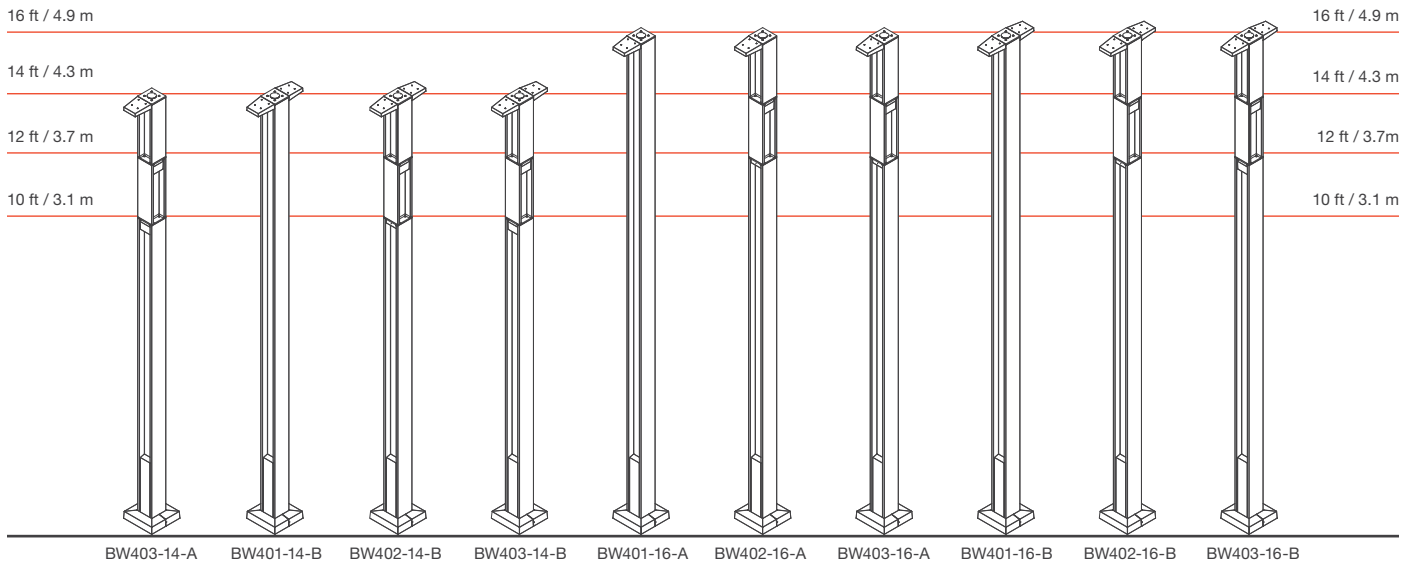
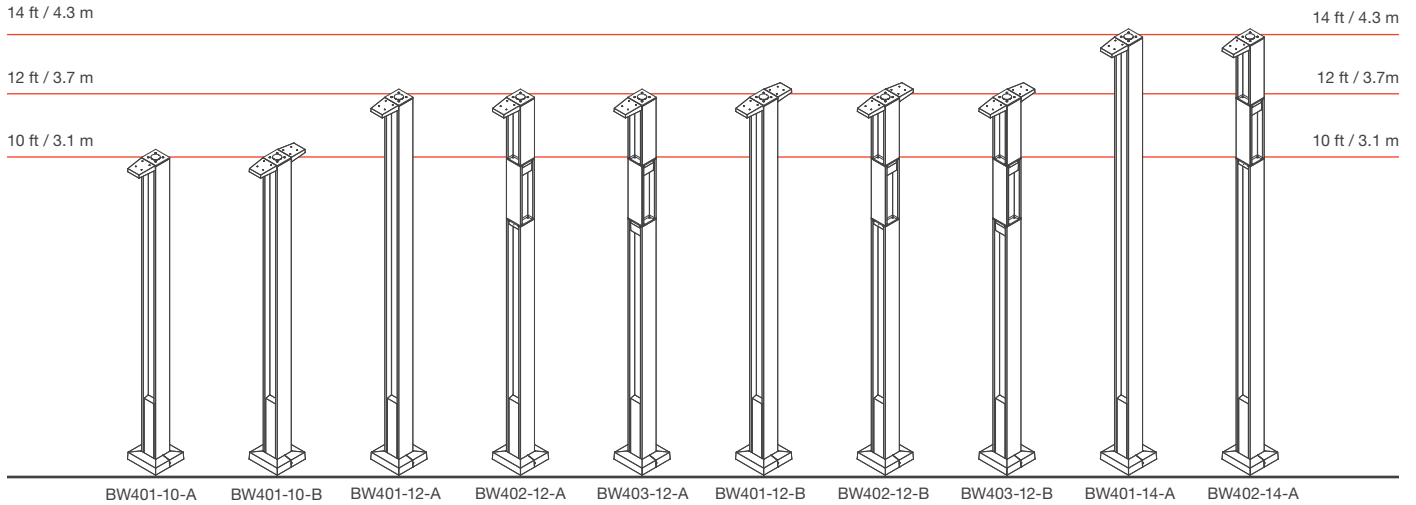
Designed by *Linnaea Tillett & Tillett Lighting Design Associates*

[Click here](#) for patent information related to this product.

Profile Area Light

landscapeforms®

Spec Sheet | BW400



Mounting

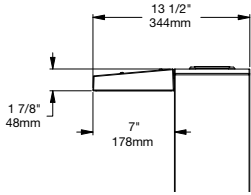
Pole is mounted at grade with galvanized steel anchor bolts. Template and anchor hardware included.

See customer drawings for luminaire mounting height details.

Profile Area Light

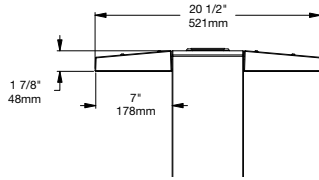


Spec Sheet | BW400



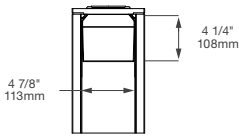
Single Area Light

Weight: 3.5 lbs
(luminaire only)
TM21 L70(10k): >60,000 hrs
Protection Class: IP66



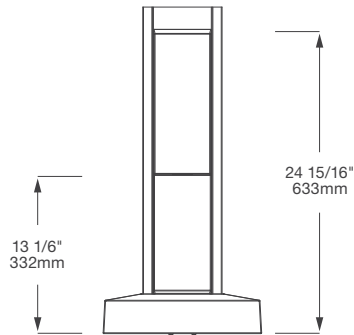
Double Area Light

Weight: 7 lbs
(luminaires only)
TM21 L70(10k): >60,000 hrs
Protection Class: IP66



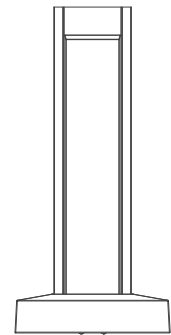
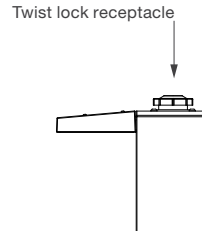
Optional Grazing Light

Weight: 1 lb (luminaire only)
TM21 L70(10k): >60,000 hrs
Protection Class: IP66



Optional Foot Light

Weight: 7 lbs
TM21 L70(10k): >60,000 hrs
Protection Class: IP66



Driver Cover

Weight: 7 lbs

Profile Area Light

landscapeforms®

Spec Sheet | BW400

Model	Distribution Type	Drive Current	Delivered Lumens	System Watts	Bug Rating	Lens
T2-LO-FRS	Type II	350mA	2261	27	B1-U0-G1	Frosted
T2-LO-CLR	Type II	350mA	2700	27	B1-U0-G1	Clear
T2-HO-FRS	Type II	650mA	3711	52	B1-U0-G1	Frosted
T2-LO-CLR	Type II	650mA	4450	52	B1-U0-G1	Clear
T3-LO-FRS	Type III	350mA	2170	27	B1-U0-G1	Frosted
T3-LO-CLR	Type III	350mA	2599	27	B1-U0-G1	Clear
T3-HO-FRS	Type III	650mA	3631	52	B1-U0-G1	Frosted
T3-HO-CLR	Type III	650mA	4391	52	B1-U0-G1	Clear
T4-LO-FRS	Type IV	350mA	1971	27	B1-U0-G1	Frosted
T4-LO-CLR	Type IV	350mA	2414	27	B1-U0-G1	Clear
T4-HO-FRS	Type IV	650mA	3302	52	B1-U0-G1	Frosted
T4-HO-CLR	Type IV	650mA	4488	52	B1-U0-G1	Clear
Grazer Light	N/A	350mA	136	10	B0-U1-G0	Clear
Foot Light	N/A	350mA	15	4	B0-U1-G0	Frosted

This data is subject to change.

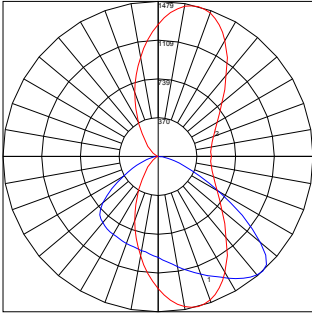
Profile Area Light

landscapeforms®

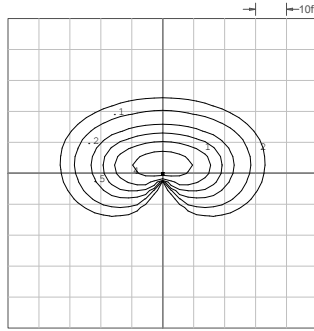
Spec Sheet | BW400

Performance Light

TII-LO-FRS

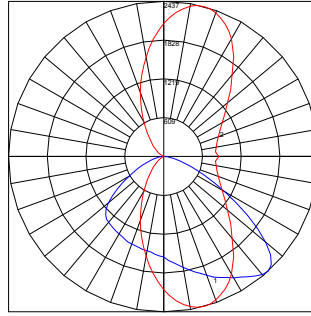


Maximum Candela = 1611.7
 Located At Horizontal Angle = 80
 Vertical Angle = 65

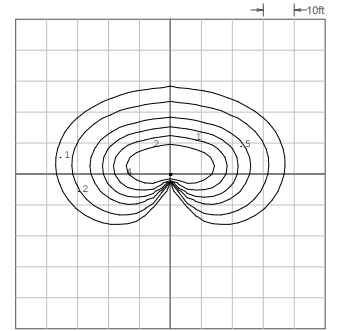


Mounting Height: 14 ft

TII-HO-FRS

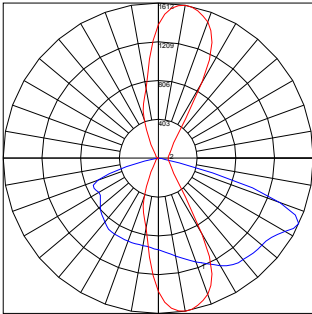


Maximum Candela = 2583.7
 Located At Horizontal Angle = 80
 Vertical Angle = 62.5

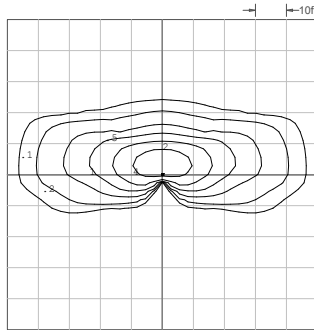


Mounting Height: 14 ft

TII-LO-CLR

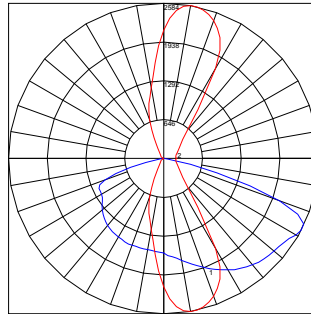


Maximum Candela = 1611.7
 Located At Horizontal Angle = 80
 Vertical Angle = 65

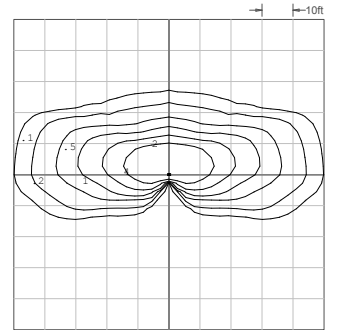


Mounting Height: 14 ft

TII-HO-CLR

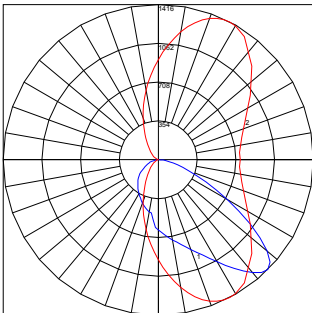


Maximum Candela = 2583.7
 Located At Horizontal Angle = 80
 Vertical Angle = 62.5

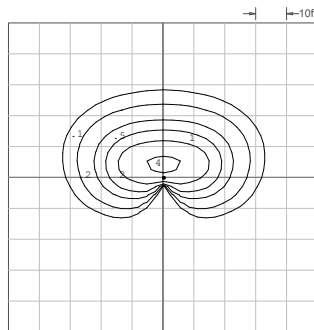


Mounting Height: 14 ft

TIII-LO-FRS

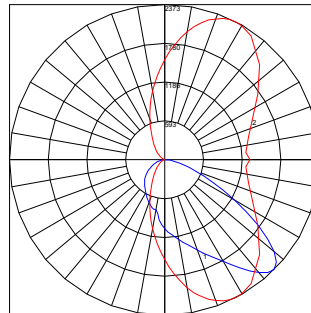


Maximum Candela = 1415.5
 Located At Horizontal Angle = 62.5
 Vertical Angle = 45

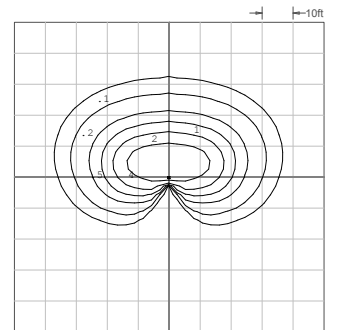


Mounting Height: 14 ft

TIII-HO-FRS



Maximum Candela = 2372.7
 Located At Horizontal Angle = 62.5
 Vertical Angle = 45



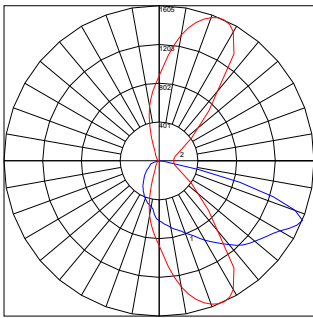
Mounting Height: 14 ft

Profile Area Light

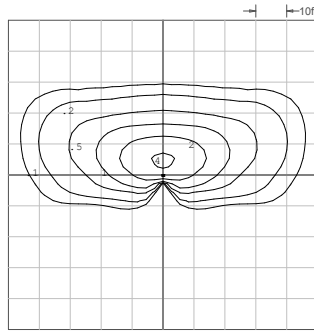
Spec Sheet | BW400

Performance Light (cont.)

TIII-LO-CLR

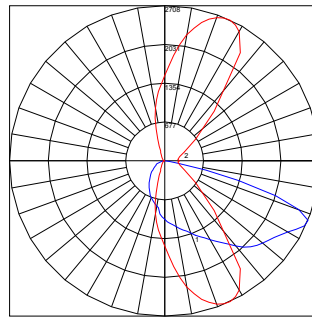


Maximum Candela = 1604.6
 Located At Horizontal Angle = 65
 Vertical Angle = 67.5

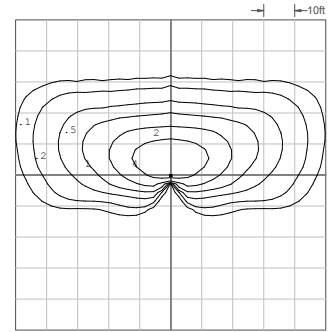


Mounting Height: 14 ft

TIII-HO-CLR

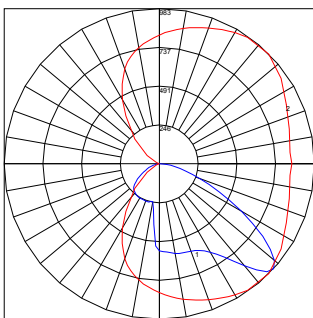


Maximum Candela = 2708.3
 Located At Horizontal Angle = 65
 Vertical Angle = 67.5

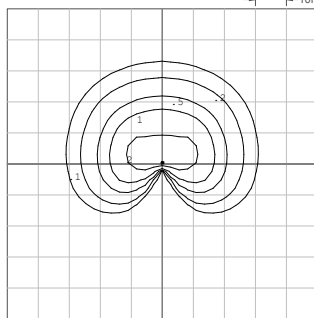


Mounting Height: 14 ft

TIV-LO-FRS

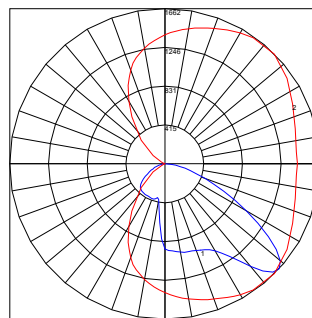


Maximum Candela = 982.5
 Located At Horizontal Angle = 45
 Vertical Angle = 47.5

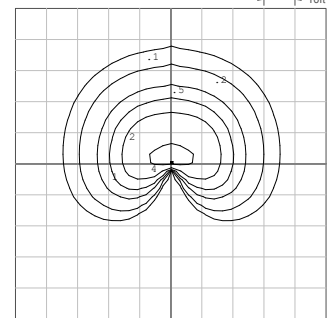


Mounting Height: 14 ft

TIV-HO-FRS

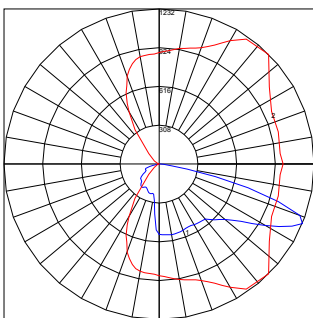


Maximum Candela = 1661.9
 Located At Horizontal Angle = 45
 Vertical Angle = 47.5

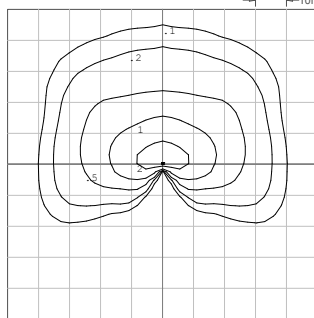


Mounting Height: 14 ft

TIV-LO-CLR

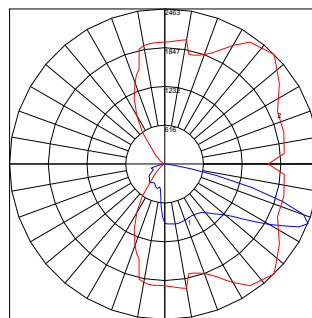


Maximum Candela = 1232
 Located At Horizontal Angle = 45
 Vertical Angle = 67.5

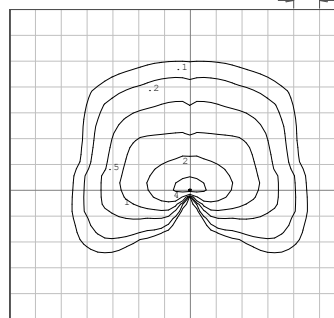


Mounting Height: 14 ft

TIV-HO-CLR



Maximum Candela = 2463
 Located At Horizontal Angle = 45
 Vertical Angle = 67.5



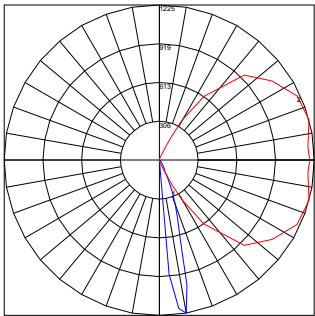
Mounting Height: 14 ft

Profile Area Light

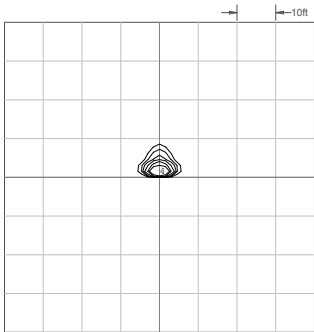
Spec Sheet | BW400



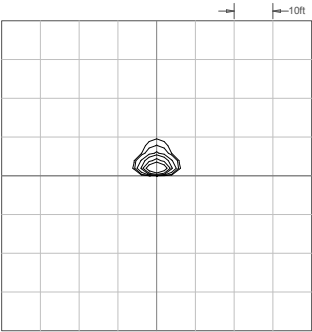
Grazer Light



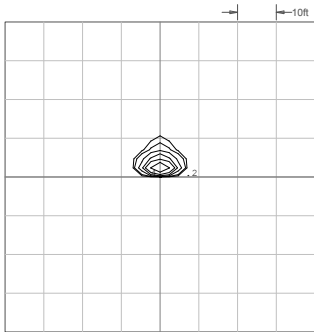
Maximum Candela = 1225.2
Located At Horizontal Angle = 15
Vertical Angle = 10



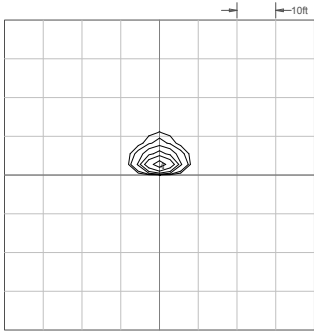
Mounting Height: 8 ft



Mounting Height: 10 ft

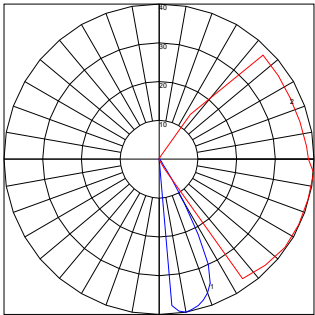


Mounting Height: 12 ft

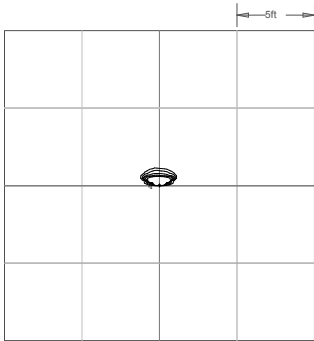


Mounting Height: 14 ft

Foot Light



Maximum Candela = 39.5
Located At Horizontal Angle = 355
Vertical Angle = 10



Profile Area Light

landscapeforms®

Spec Sheet | BW400

Luminaire & Pole

Product	Height	Configuration	Foot Light	Distribution	Drive Current	Lens	Color Temperature**	Input Voltage	Twist Lock
BW401 (Profile Area Light Model #1)	10 (10 ft or 3.1m Unit) *	A (Single)	NFL (No Foot Light)	T2 (Type II)	LO (Low Output)	CLR (Clear Lens)	27K (2700K)	UV1 (100V277V, 50/60 Hz)	NTW (No Twist Lock)
BW402 (Profile Area Light Model #2)	12 (12 ft or 3.7m Unit)	B (Double)	FL (Foot Light)	T3 (Type III)	HO (High Output)	FRS (Frosted Lens)	30K (3000K)		TW1 (7-pin Twist Lock)
BW403 (Profile Area Light Model #3)	14 (14 ft or 4.3m Unit) 16 (16 ft or 4.9m Unit)			T4 (Type IV)			35K (3500K) 40K (4000K)		

Example: BW401 – 10 – B – NFL – T2 – LO – CLR – 35K – UV1 – TW1 – Powdercoat

* Only available in model #1.

** For Dark Sky certification, 3000k or warmer must be selected.
Other color temperatures available upon request.

Configurations

Height	Pole Part Number	Description	EPA	Weight
10 ft (3.1 m)	BW401-10-A	One Performance Light with No Grazer Lights & No 90° Pole Rotation	10.72 ft ²	129 lbs
10 ft (3.1 m)	BW401-10-B	Two Performance Lights with No Grazer Lights & No 90° Pole Rotation	10.92 ft ²	130 lbs
12 ft (3.7 m)	BW401-12-A	One Performance Light with No Grazer Lights & No 90° Pole Rotation	12.74 ft ²	149 lbs
12 ft (3.7 m)	BW401-12-B	Two Performance Lights with No Grazer Lights & No 90° Pole Rotation	12.94 ft ²	152 lbs
12 ft (3.7 m)	BW402-12-A	One Performance Light with Two Grazer Lights & Two 90° Pole Rotations	12.66 ft ²	151 lbs
12 ft (3.7 m)	BW402-12-B	Two Performance Lights with Two Grazer Lights & Two 90° Pole Rotations	12.86 ft ²	154 lbs
12 ft (3.7 m)	BW403-12-A	One Performance Light with Four Grazer Lights & Two 90° Pole Rotations	12.66 ft ²	153 lbs
12 ft (3.7 m)	BW403-12-B	Two Performance Lights with Four Grazer Lights & Two 90° Pole Rotations	12.86 ft ²	156 lbs
14 ft (4.3 m)	BW401-14-A	One Performance Light with No Grazer Lights & No 90° Pole Rotation	14.75 ft ²	169 lbs
14 ft (4.3 m)	BW401-14-B	Two Performance Lights with No Grazer Lights & No 90° Pole Rotation	14.95 ft ²	172 lbs
14 ft (4.3 m)	BW402-14-A	One Performance Light with Two Grazer Lights & Two 90° Pole Rotations	14.68 ft ²	171 lbs
14 ft (4.3 m)	BW402-14-B	Two Performance Lights with Two Grazer Lights & Two 90° Pole Rotations	14.87 ft ²	174 lbs
14 ft (4.3 m)	BW403-14-A	One Performance Light with Four Grazer Lights & Two 90° Pole Rotations	14.68 ft ²	173 lbs
14 ft (4.3 m)	BW403-14-B	Two Performance Lights with Four Grazer Lights & Two 90° Pole Rotations	14.87 ft ²	176 lbs
16 ft (4.9 m)	BW401-16-A	One Performance Light with No Grazer Lights & No 90° Pole Rotation	16.77 ft ²	190 lbs
16 ft (4.9 m)	BW401-16-B	Two Performance Lights with No Grazer Lights & No 90° Pole Rotation	16.96 ft ²	193 lbs

Profile Area Light

Spec Sheet | BW400



Configurations (cont.)

Height	Pole Part Number	Description	EPA	Weight
16 ft (4.9 m)	BW402-16-A	One Performance Light with Two Grazer Lights & Two 90° Pole Rotations	16.69 ft ²	192 lbs
16 ft (4.9 m)	BW402-16-B	Two Performance Lights with Two Grazer Lights & Two 90° Pole Rotations	16.89 ft ²	194 lbs
16 ft (4.9 m)	BW403-16-A	One Performance Light with Four Grazer Lights & Two 90° Pole Rotations	16.69 ft ²	193 lbs
16 ft (4.9 m)	BW403-16-B	Two Performance Lights with Four Grazer Lights & Two 90° Pole Rotations	16.89 ft ²	196 lbs

Notes:

Profile Area Light

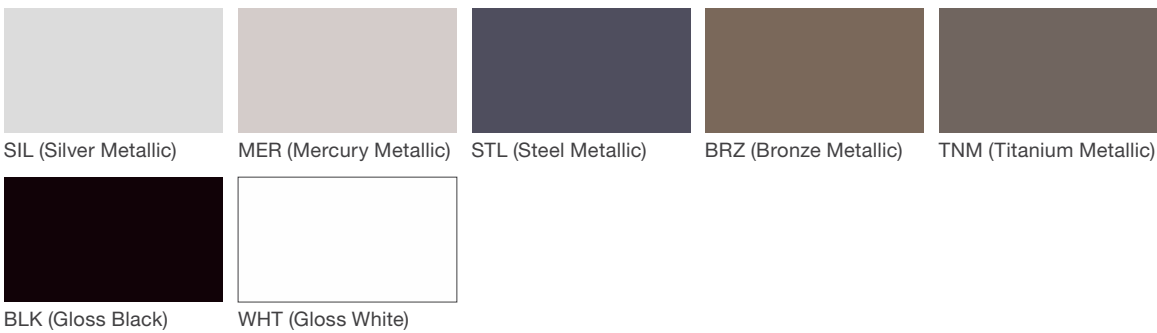
landscapeforms®

Material / Colors Sheet | BW400

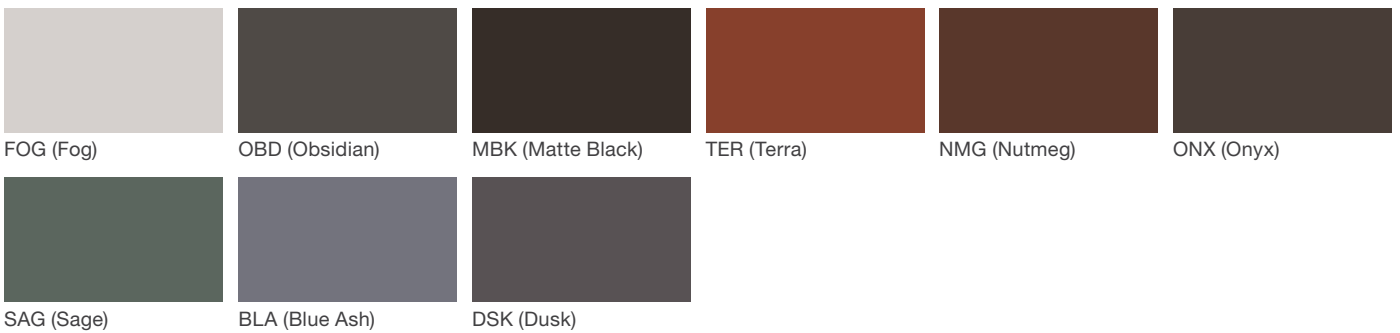
Vivid Series - Powdercoated Metal* (Fine Texture)



Neutral Series - Powdercoated Metal*



Architectural Series - Powdercoated Metal* (Fine Texture)



Profile Area Light

landscapeforms®

Material / Colors Sheet | BW400

Powdercoated Metal

Powdercoated Metal Pangard II® Polyester Powdercoat is a hard, yet flexible, finish that resists rusting, chipping, peeling and fading. In addition to colors shown, a wide selection of optional and custom colors may be specified for an upcharge.

* All colors and patterns shown are approximate and may vary from sample and final.

Visit landscapeforms.com for more information. Specifications are subject to change without notice. Landscape Forms supports the Landscape Architecture Foundation at the Second Century level. ©2023 Landscape Forms, Inc.

landscapeforms.com | specify@landscapeforms.com