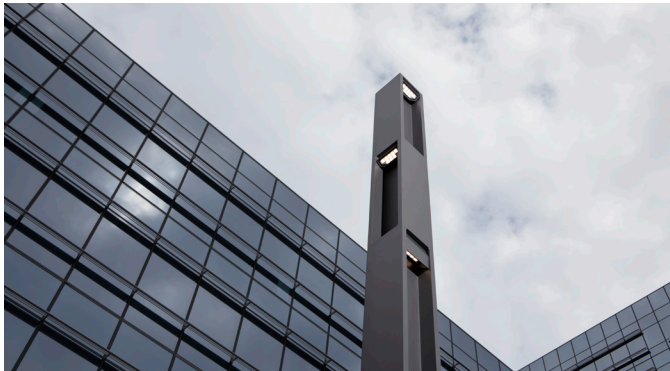


Profile Accent Light

landscapeforms®

Spec Sheet | BW300



The Profile family of lights creates beautiful and intentional light emanating from a refined, minimalist design. Shadows from Profile's I-beam channels and modular design build a light experience like no other, creating poetry between the sculptural form and the play of light upon the object and its surroundings. Profile features a palette of configurable options that creates an aesthetic and performance to fit a variety of applications - from large, open areas and narrow pathways to landscape beds and building entrances.

Housing & Materials

One-piece welded pole made from hollow extruded aluminum 'H' sections with machined aluminum base and transition plates. Two-piece cast aluminum base cover with hidden fasteners.

Electrical

Surge protected 120V through 277V 50/60Hz electronic driver, 0-10V dimming, -40°C start temperature. Cast aluminum driver compartment doors with weather-tight seal assembly located at bottom of pole. Available with optional ANSI C136.41 twist lock receptacle.

Light Engines

The Profile accent light includes point source lights and optional grazing lights. These replaceable LED cartridges consist of a die cast aluminum body with high power LEDs on RoHS compliant circuit board, secondary optics, and injection molded cutoff baffle. Sealed, UV stable, impact modified diffused acrylic lens. Unit mounts to pole with magni-coated hardware.

The optional foot light has a replaceable LED cartridge that consists of machined aluminum body with high power LED on RoHS compliant circuit board, Sealed, UV stable, impact modified diffused acrylic lens. Unit mounts to driver compartment door with magni-coated hardware.

All lighting engines are available in 2700K, 3000K, 3500K, and 4000K. >80CRI across all available color temperatures.

Warranty

LED lighting products are warranted for six years.

Distributions



TII

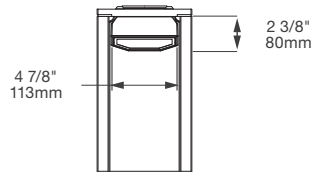
Certification

UL Listed for Wet Location, CE, Buy America Compliant, RoHS Compliant



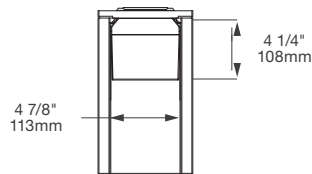
Designed by Linnaea Tillett & Tillett Lighting Design Associates

[Click here](#) for patent information related to this product.



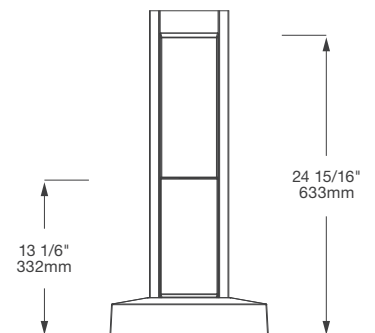
Point Source Light

Weight: 1 lb (luminaire only)
TM21 L70(10k): > 60,000 hrs
Protection Class: IP66



Optional Grazing Light

Weight: 1 lb (luminaire only)
TM21 L70(10k): > 60,000 hrs
Protection Class: IP66



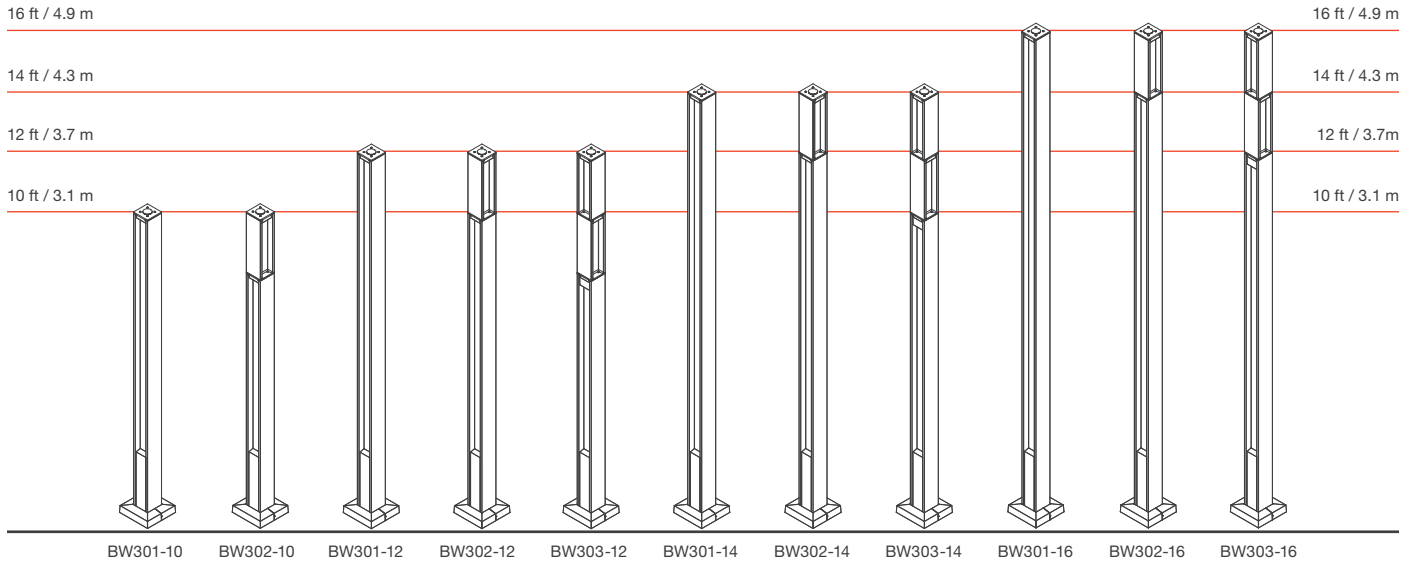
Optional Foot Light

Weight: 7 lbs
TM21 L70(10k): > 60,000 hrs
Protection Class: IP66

Profile Accent Light



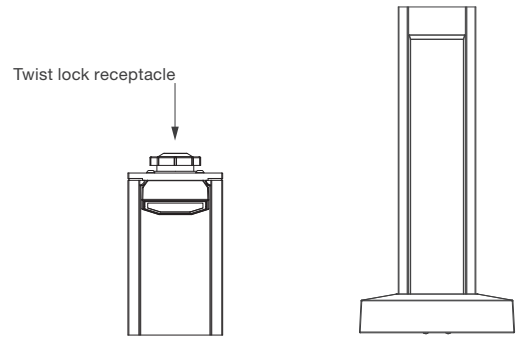
Spec Sheet | BW300



Mounting

Pole is mounted at grade with galvanized steel anchor bolts.
Template and anchor hardware included.

See customer drawings for luminaire mounting height details.



Driver Cover

Weight: 7 lbs

Profile Accent Light

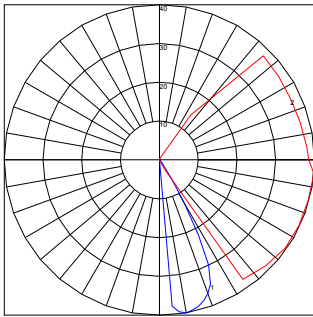
landscapeforms®

Spec Sheet | BW300

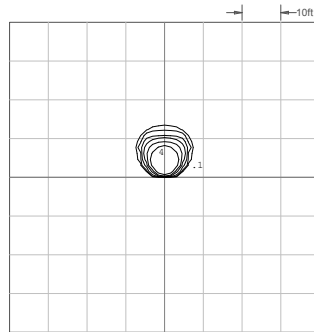
Model	Distribution Type	Drive Current	Delivered Lumens	System Wattage	Bug Rating	Lens
Point Source Light	Type II	350mA	347	10	B0-U1-G1	Frosted
Grazer Light	N/A	350mA	136	10	B0-U1-G0	Clear
Foot Light	N/A	350mA	15	4	B0-U1-G0	Frosted

This data is subject to change.

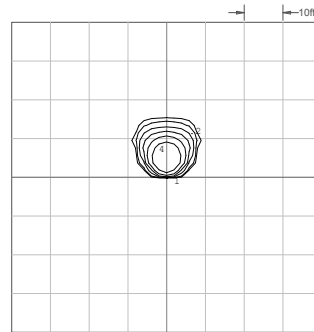
Point Source Light



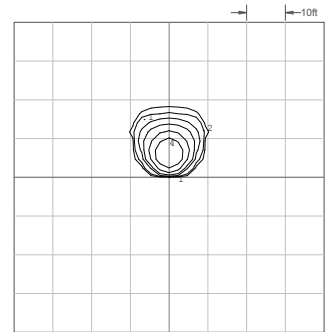
Maximum Candela = 418.9
 Located At Horizontal Angle = 0
 Vertical Angle = 30



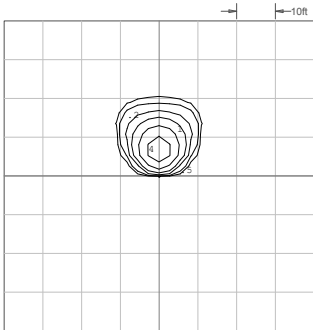
Mounting Height: 8 ft



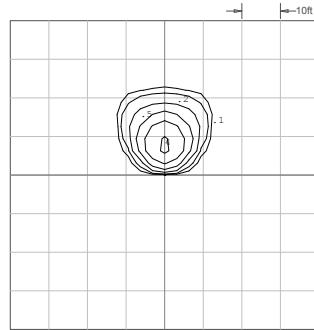
Mounting Height: 10 ft



Mounting Height: 12 ft



Mounting Height: 14 ft



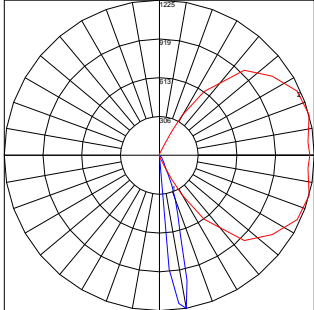
Mounting Height: 16 ft

Profile Accent Light

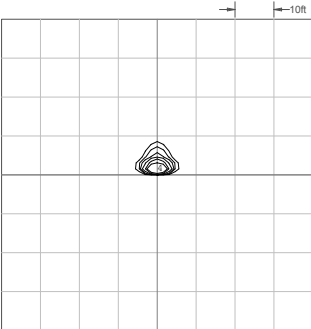
Spec Sheet | BW300



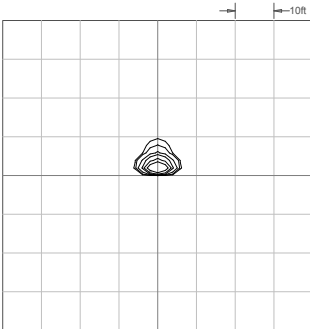
Grazing Light



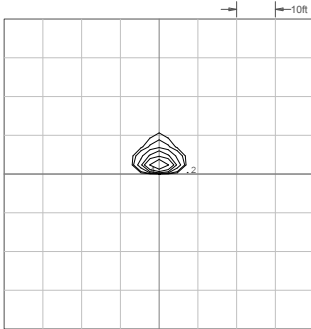
Maximum Candela = 1225.2
Located At Horizontal Angle = 15
Vertical Angle = 10



Mounting Height: 8 ft

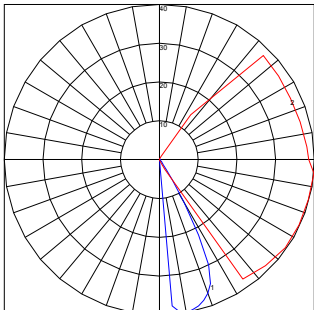


Mounting Height: 10 ft

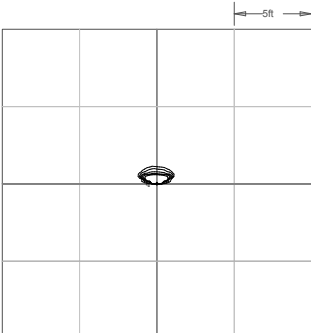


Mounting Height: 12 ft

Foot Light



Maximum Candela = 39.5
Located At Horizontal Angle = 335
Vertical Angle = 10



Mounting Height: 13 1/16"

Profile Accent Light

landscapeforms®

Spec Sheet | BW300

Luminaire & Pole

Product	Pole Height	Foot Light	Color Temperature	Input Voltage	Twist Lock
BW301 (Profile Accent Light Model #1)	10 (10 ft or 3.1m Unit) *	NFL (No Foot Light)	27K (2700K)	UV1 (100V277V, 50/60 Hz)	NTW (No Twist Lock)
BW302 (Profile Accent Light Model #2)	12 (12 ft or 3.7m Unit)	FL (Foot Light)	30K (3000K)		TW1 (7-pin Twist Lock)
BW303 (Profile Accent Light Model #3)	14 (14 ft or 4.3m Unit)		35K (3500K)		
	16 (16 ft or 4.9m Unit)		40K (4000K)		

Example: BW303 – 16 – FL –30K – UV1 – NTW – Powdercoat

* Only available in model #1 or #2.

Configurations

Height	Pole Part Number	Description	EPA	Weight
10 ft (3.1 m)	BW301-10	Two Point Source Lights with No Grazer Lights & No 90° Pole Rotation	10.53 ft²	127 lbs
10 ft (3.1 m)	BW302-10	Four Point Source Lights with No Grazer Lights & One 90° Pole Rotation	10.45 ft²	130 lbs
12 ft (3.7 m)	BW301-12	Two Point Source Lights with No Grazer Lights & No 90° Pole Rotation	12.54 ft²	147 lbs
12 ft (3.7 m)	BW302-12	Four Point Source Lights with No Grazer Lights & One 90° Pole Rotation	12.46 ft²	149 lbs
12 ft (3.7 m)	BW303-12	Four Point Source Lights with Two Grazer Lights & Two 90° Pole Rotations	12.46 ft²	151 lbs
14 ft (4.3 m)	BW301-14	Two Point Source Lights with No Grazer Lights & No 90° Pole Rotation	14.55 ft²	167 lbs
14 ft (4.3 m)	BW302-14	Four Point Source Lights with No Grazer Lights & One 90° Pole Rotation	14.48 ft²	169 lbs
14 ft (4.3 m)	BW303-14	Four Point Source Light with Two Grazer Lights & Two 90° Pole Rotations	14.48 ft²	172 lbs
16 ft (4.9 m)	BW301-16	Two Point Source Lights with No Grazer Lights & No 90° Pole Rotation	16.57 ft²	187 lbs
16 ft (4.9 m)	BW302-16	Four Point Source Lights with No Grazer Lights & One 90° Pole Rotation	16.49 ft²	189 lbs
16 ft (4.9 m)	BW303-16	Four Point Source Lights with Two Grazer Lights & Two 90° Pole Rotations	16.49 ft²	192 lbs

Notes:

Profile Accent Light

landscapeforms®

Material / Colors Sheet | BW300

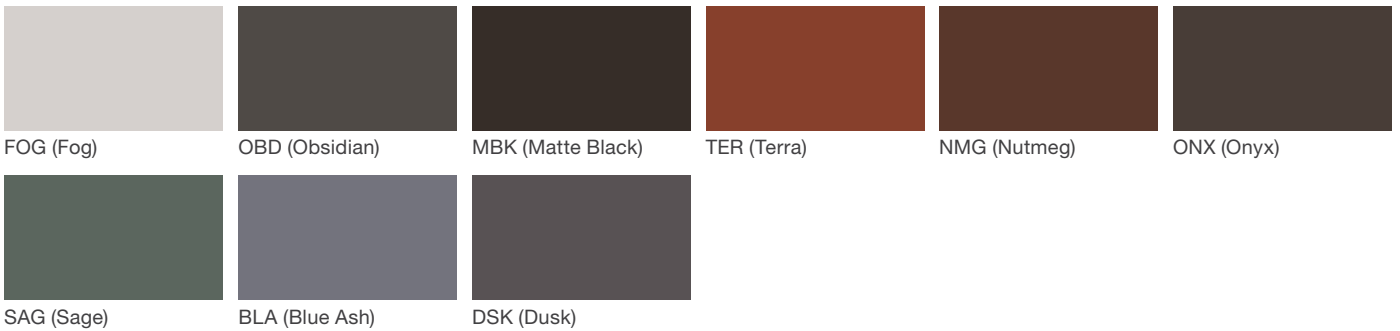
Vivid Series - Powdercoated Metal* (Fine Texture)



Neutral Series - Powdercoated Metal*



Architectural Series - Powdercoated Metal* (Fine Texture)



Profile Accent Light

landscapeforms®

Material / Colors Sheet | BW300

Powdercoated Metal

Powdercoated Metal Pangard II® Polyester Powdercoat is a hard, yet flexible, finish that resists rusting, chipping, peeling and fading. In addition to colors shown, a wide selection of optional and custom colors may be specified for an upcharge.

* All colors and patterns shown are approximate and may vary from sample and final.

Visit landscapeforms.com for more information. Specifications are subject to change without notice. Landscape Forms supports the Landscape Architecture Foundation at the Second Century level. ©2023 Landscape Forms, Inc.

landscapeforms.com | specify@landscapeforms.com