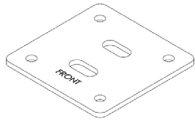
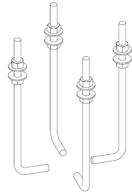


Included hardware



ANCHOR
TEMPLATE
-1X



ANCHOR KIT:
(4) 3/4-10 x 17" x 3" J HOOKS, GALVANIZED
(8) 3/4-10 HEX NUTS, GALVANIZED
(8) 3/4" WASHERS, 2" O.D., GALVANIZED

Tools Required

- Safety glasses
- Wrenches, 1-1/4"
- Level

Landscape Forms is not responsible for site preparation and footings.
Footing recommendations are included in these instructions.

Pole Size	Wind Speed	Base Overturning Moment (ft-lbf)	Base Shear (lbf)
10ft	90 mph w/ 1.3 gust	738	148
10ft	140 mph w/ 1.3 gust	1786	357
12ft	90 mph w/ 1.3 gust	1063	177
12ft	140 mph w/ 1.3 gust	2572	428
14ft	90 mph w/ 1.3 gust	1446	206
14ft	140 mph w/ 1.3 gust	3501	500
16ft	90 mph w/ 1.3 gust	1889	236
16ft	140 mph w/ 1.3 gust	4572	571

Calculations per AASHTO 1994, assuming base of the pole is at grade level.

ASSEMBLE WITH CARE! Pangard II® Polyester Powdercoat is a strong, long-lasting finish. To protect this finish during assembly, place unwrapped powdercoated parts on packaging foam or other non-marring surface. Do not place or slide powdercoated parts on concrete or other hard or textured surface – this will damage the finish causing rust to occur. Use touch-up paint on any gouges in the finish caused by assembly tools.

LIGHTING LAYOUT RECOMMENDATIONS:

Profile light spacing is the responsibility of others. Refer to the Product Data Sheet, available on www.landscapeforms.com, for light distribution options.

INSTALLATION PROCEDURE FOR ANCHOR BOLTS:

1. Prepare footing as required by local codes.
2. Install anchor hooks, hex nuts, washers and wooden template as shown in Fig 2. Level template in all directions.
3. After footing has properly cured, remove wooden template. Do not remove lower hex nuts or washers.

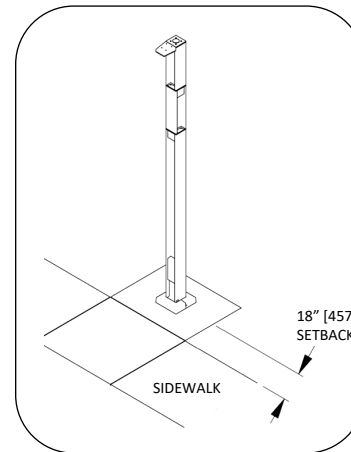


Fig. 1 – Optional sidewalk setback

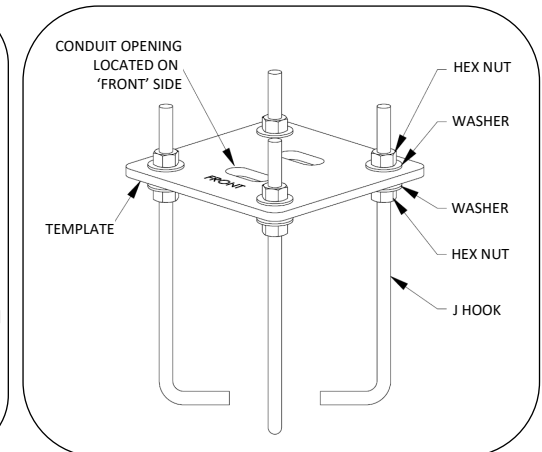


Fig. 2 – Anchor install detail

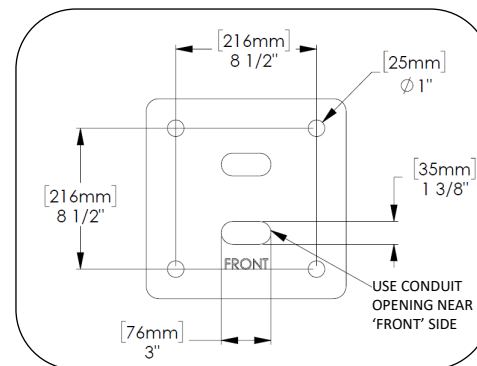


Fig. 3 - Anchor template detail

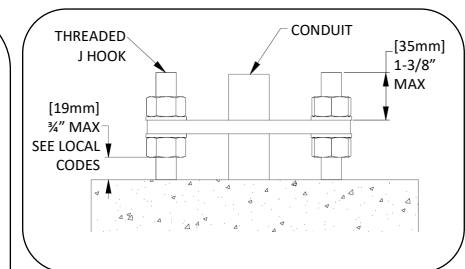
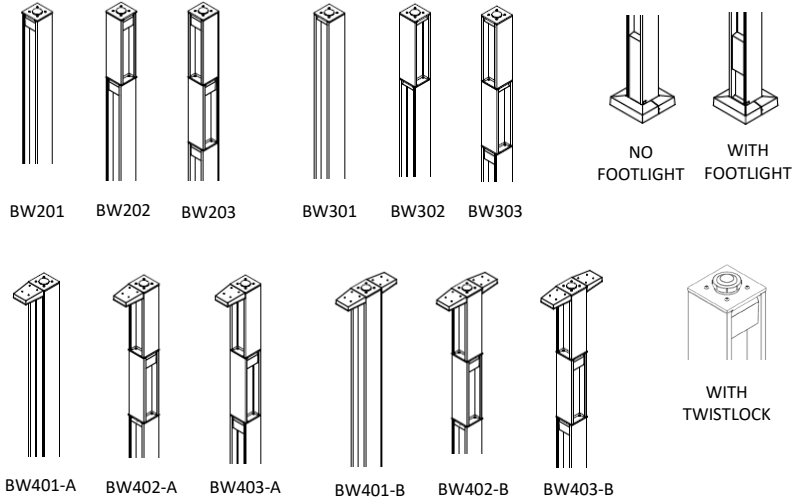


Fig. 4 - Anchor bolt height

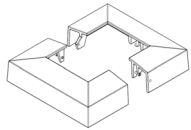


INSTALLATION PROCEDURE LIGHT:

Note: Light pole ships fully assembled and wired. Installer is responsible for providing line-in voltage and connecting wiring to driver plate. Conduit should be run through opening in template closest to 'front' label. Unit has grommet access for running wiring to opposite side of light, if necessary.

1. Using 5mm hex key, remove driver cover plate, see Fig. 1. Remove button head screws and set aside. Slide cover plate up and out to disengage from pole. For units with a footlight, the footlight driver is secured to the cover plate. Remove gently, using caution not to break the wiring from the cover plate. See Fig. 3. Disconnect footlight driver at quick-disconnect.
2. Set light pole over anchors, hex nuts and washers previously set in concrete. Install washers and hex nuts. Cut top of threaded rods to 1-3/8" [35mm] height from top of base plate to top of rod to allow for cover plate install, see Fig. 2.
3. Connect line-in wiring to terminal block as marked. Run wiring snugly inside unit and secure with zip-tie, see Fig. 4.
4. Replace driver cover plate. Ensure that all wiring is inside of unit and not interfering with gasket around driver cover plate. Do not force fit. Check to make sure wires are not pinched and readjust driver cover plate. Engage screws in slots at the top of the driver housing and then slide cover plate down and reattach screws.
5. Attach cover plate. Back socket head cap screw partially out so the end of the screw is just below flush with the casting. Align holes in cover plate halves. Tighten socket head cap screw so it engages both halves. Two screws preinstalled on each cover plate half act as a clamp for the base plate. This prevents the base plate from being lifted up once installed. See Fig. 5 and Fig. 6.

Included hardware



COVER PLATE
-1X

Tools Required

- Safety glasses
- Screwdrivers
- Wiring tools and connectors
- 3/16 hex key for cover plate
- 5mm hex key for driver plate/foot light cover

ASSEMBLE WITH CARE! Pangard II® Polyester Powdercoat is a strong, long-lasting finish. To protect this finish during assembly, place unwrapped powdercoated parts on packaging foam or other non-marring surface. Do not place or slide powdercoated parts on concrete or other hard or textured surface – this will damage the finish causing rust to occur. Use touch-up paint on any gouges in the finish caused by assembly tools.

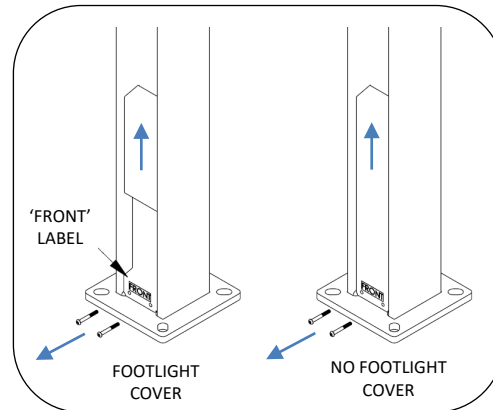


Fig. 1 – covers

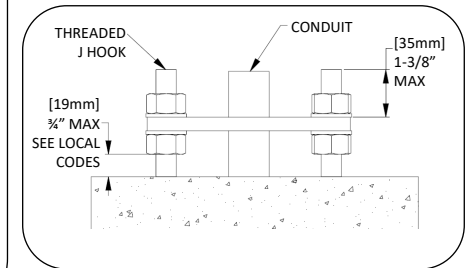


Fig.2 - Anchor bolt height

PROCEDURE FOR WIRING COLUMN LIGHT, ACCENT LIGHT AND AREA LIGHT:

The Profile Light is assembled at the factory. Do not remove light cartridge during installation.

Refer to separate pages for the schematics used to connect the unit to line voltage. It is the responsibility of the installer to make sure that all connections are made in accordance with the NEC and local building codes.

WARNING! LED cartridge and driver are not rated for connection or disconnection while energized. Doing so may damage LEDs and will void the warranty. Disconnect incoming power before making or breaking any electrical connections.

INSTALLATION AND SERVICE SHOULD ONLY BE PERFORMED BY QUALIFIED PERSONNEL.

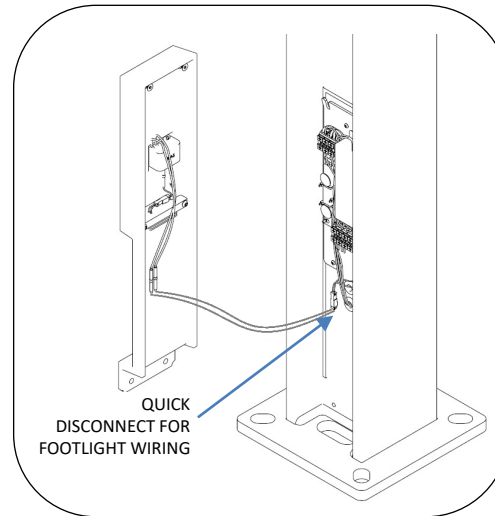


Fig. 3 – Remove driver cover (shown with footlight)

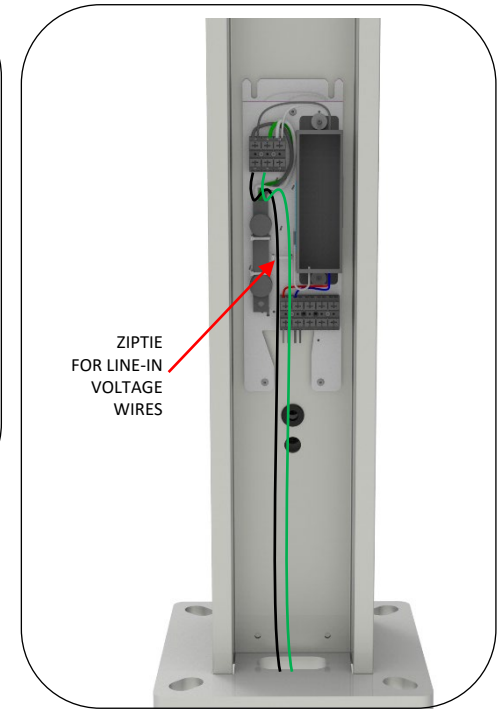


Fig. 4 – line-in voltage wiring location

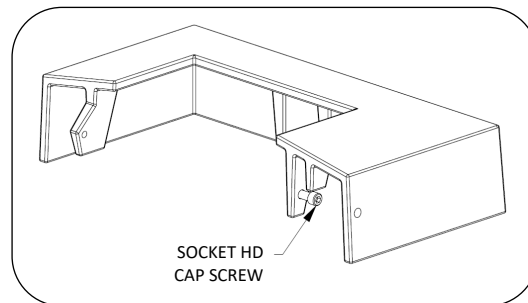


Fig. 5 – Cover plate preparation

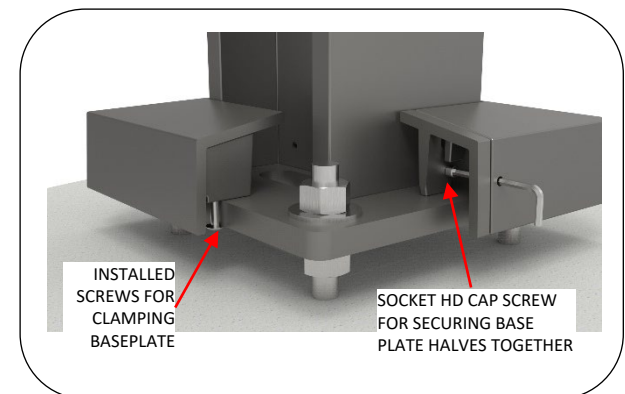


Fig. 6 – Cover plate assembly

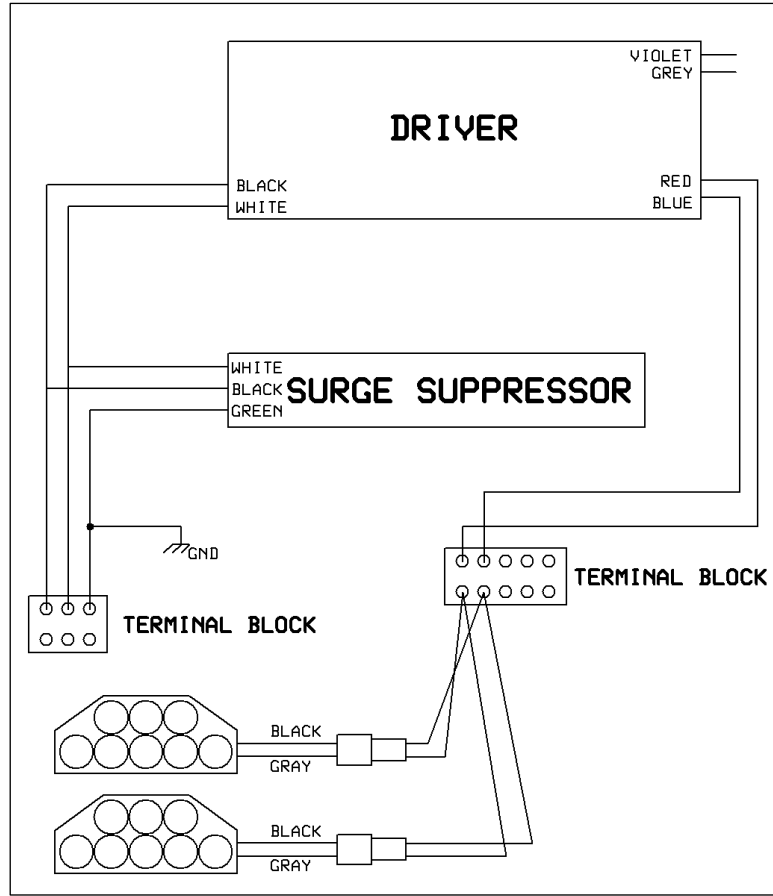
PROCEDURE FOR WIRING COLUMN LIGHTS AND ACCENT LIGHTS:

The Profile Column Light and Accent Light are assembled at the factory. The light cartridge is mounted into the head of the pole and will not need to be removed during installation. Do not remove light cartridge during installation.

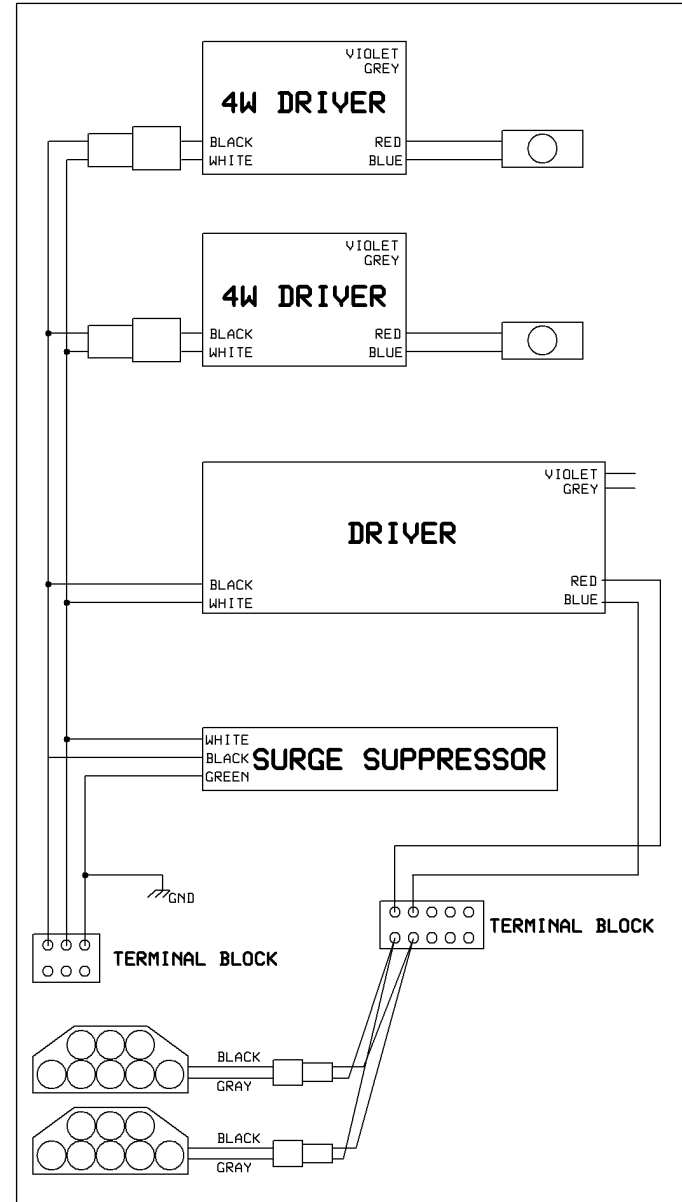
The following schematic is to be used to connect the unit to line voltage. It is the responsibility of the installer to make sure that all connections are made in accordance with the NEC and local building codes.

WARNING!: LED cartridge and driver are not rated for connection or disconnection while energized. Doing so may damage LEDs and will void the warranty. Disconnect incoming power before making or breaking any electrical connections.

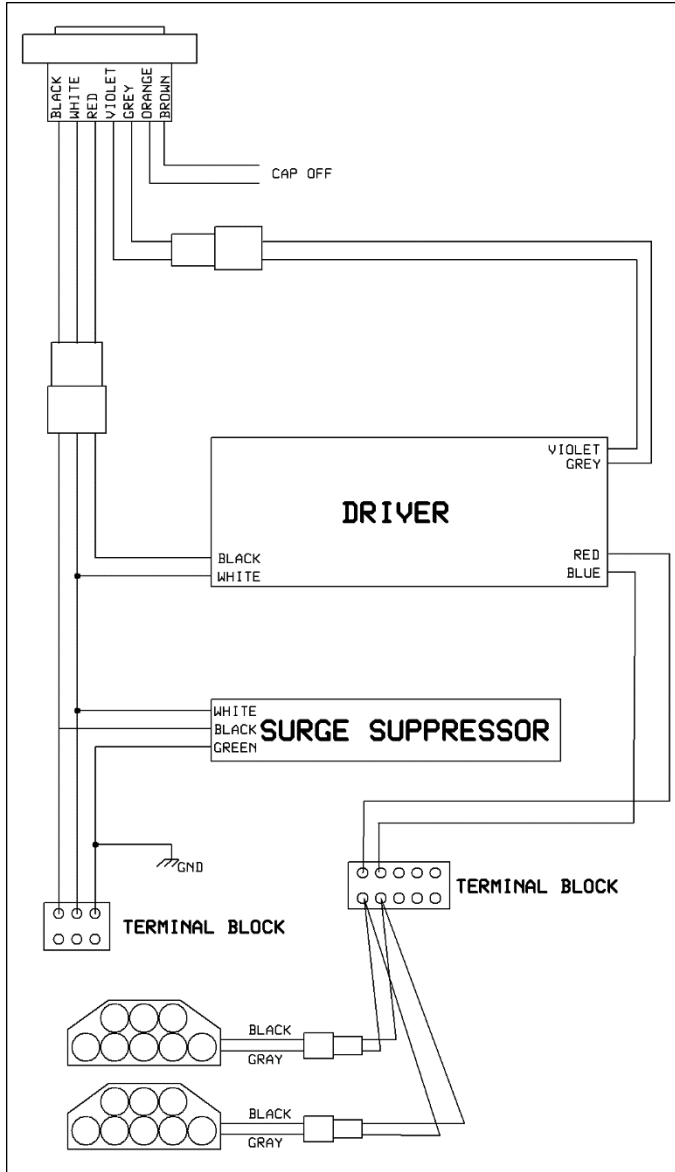
INSTALLATION AND SERVICE SHOULD ONLY BE PERFORMED BY QUALIFIED PERSONNEL.



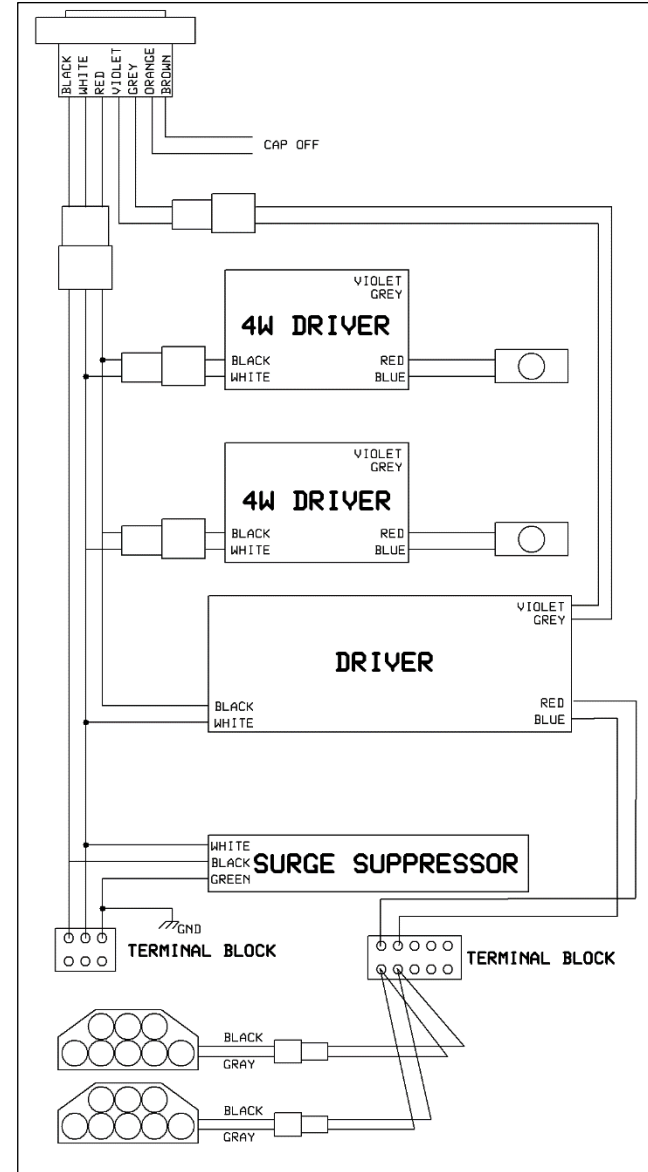
BW201-BW301-NTW-NFL



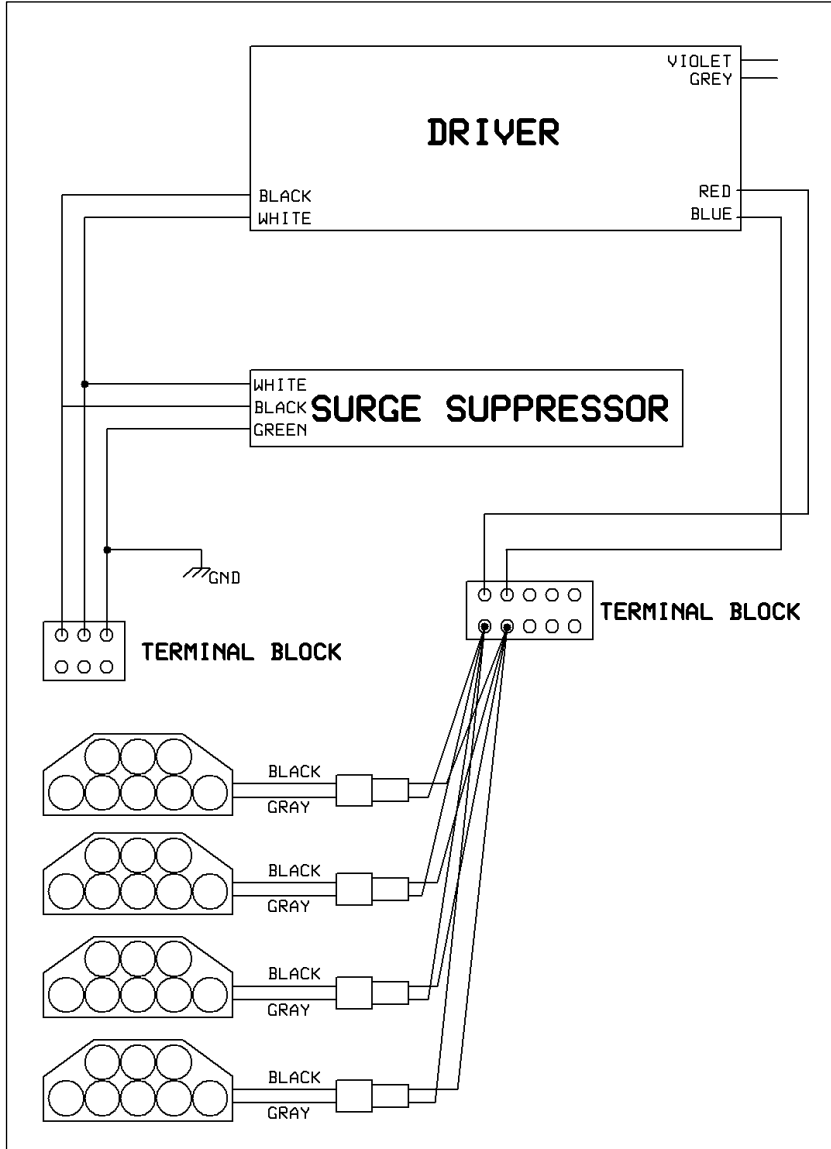
BW201-BW301-NTW-FL



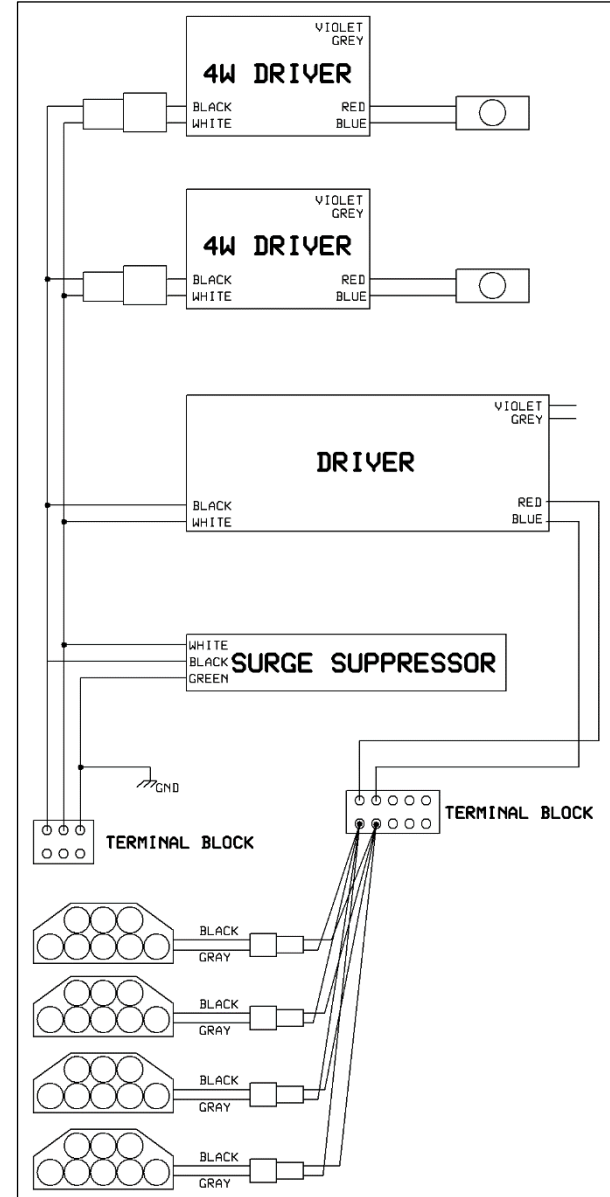
BW201-BW301-TW-NFL



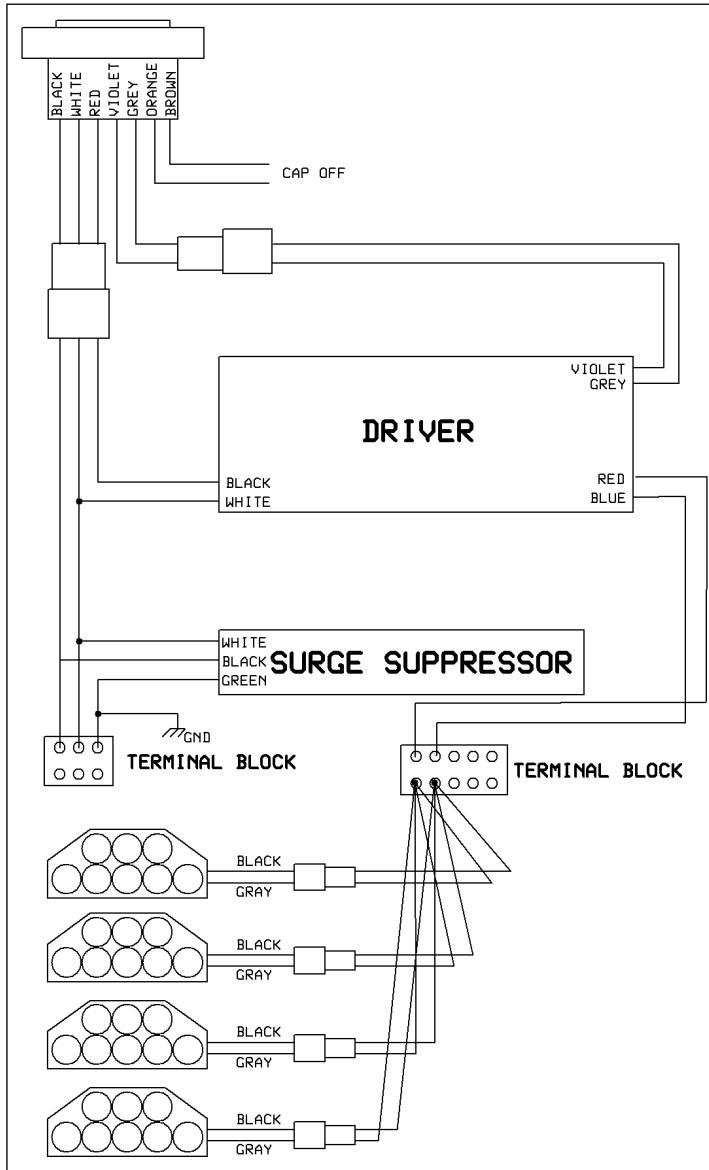
BW201-BW301-TW-FL



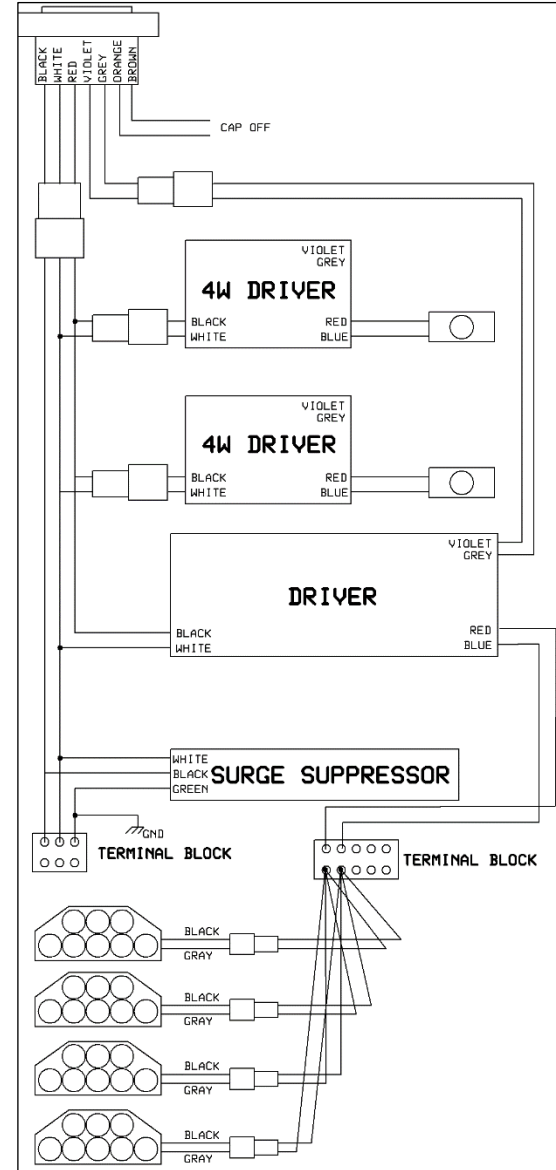
BW202-BW302-NTW-NFL



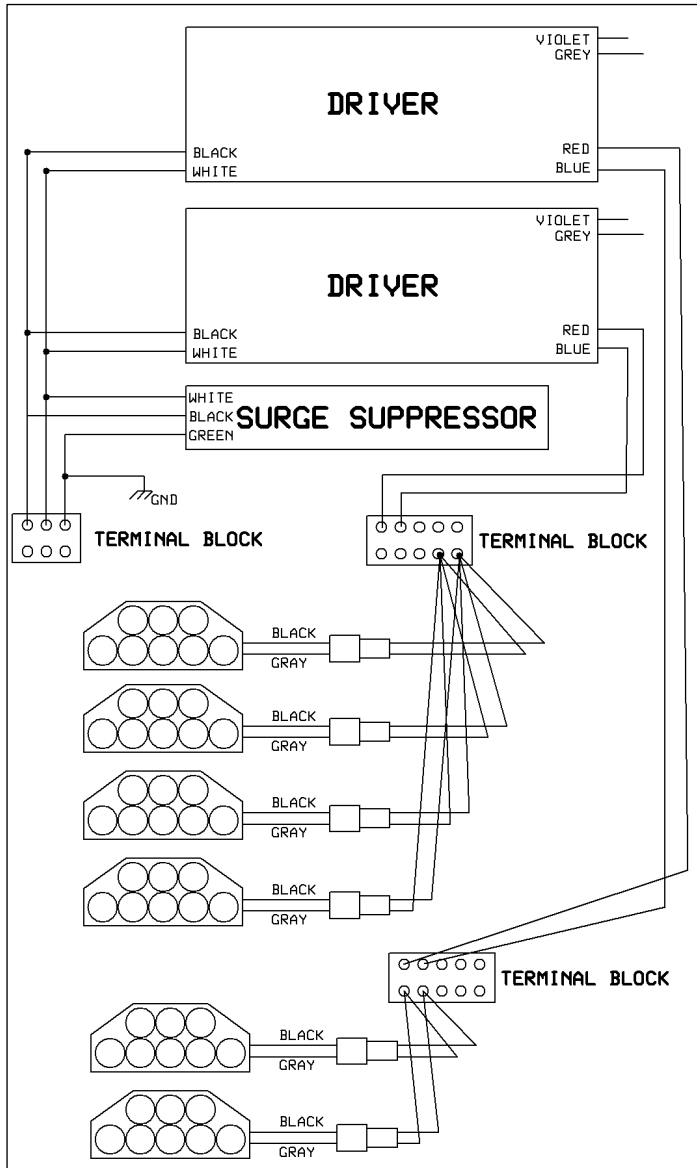
BW202-BW302-NTW-FL



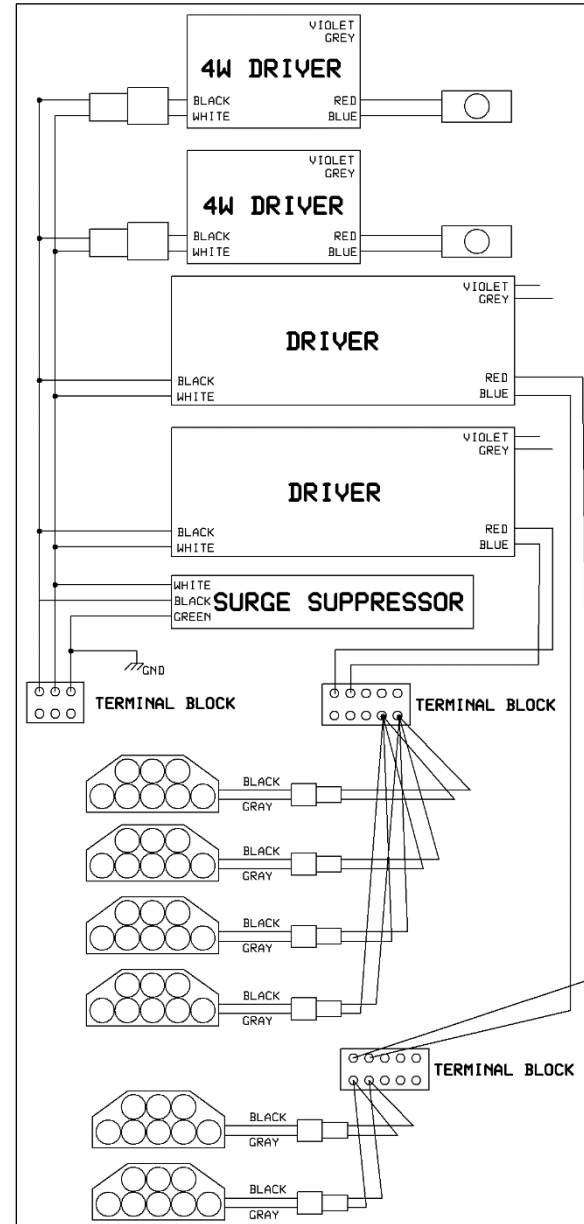
BW202-BW302-TW-NFL



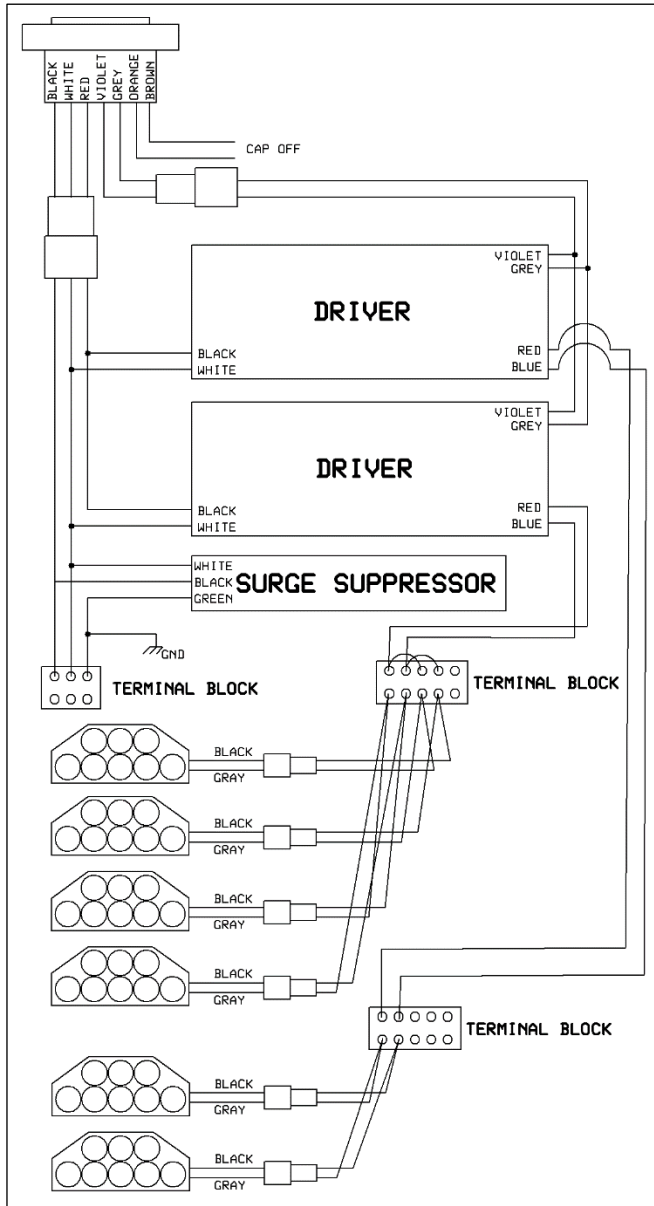
BW202-BW302-TW-FL



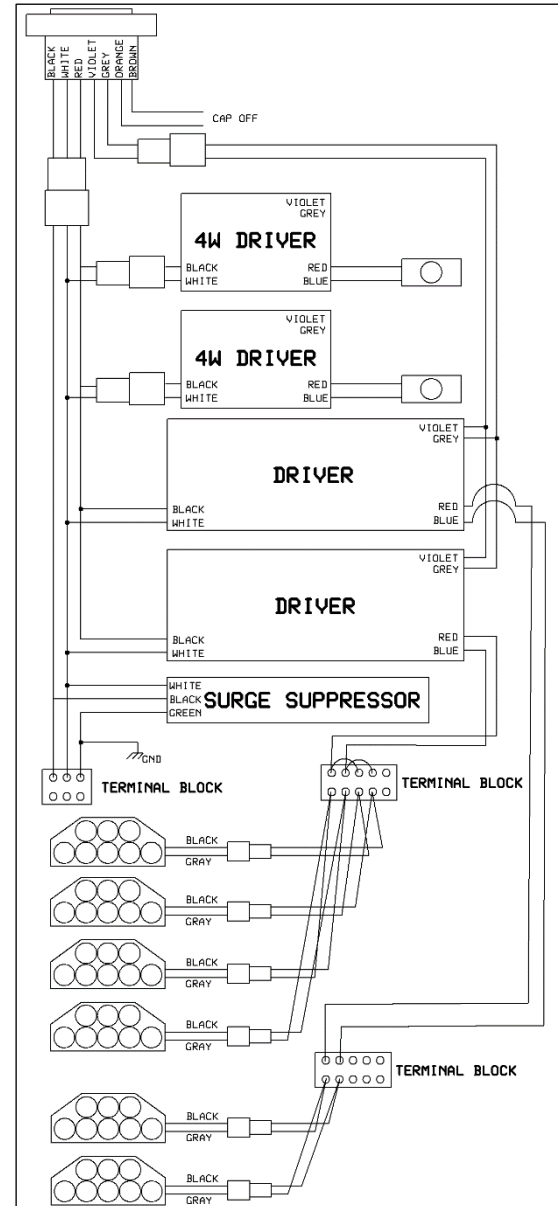
BW203-BW303-NTW-NFL



BW203-BW303-NTW-FL



BW203-BW303-TW-NFL



BW203-BW303-TW-FL