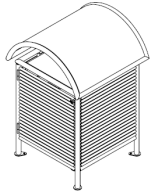


Top Opening



Side Opening

Included components:

- Litter ships fully assembled.

Tools Required for optional surface mounting:

- Safety glasses
- (4) Stainless steel anchors, max 3/8" dia

PROCEDURE FOR INSTALLATION:

1. Prepare proper concrete slab as required.
2. Freestanding litter ships with glides installed. Litter can be set in place.

Note: DO NOT DRAG unit across concrete or other rough surfaces. This could damage the powdercoat finish.

For SURFACE MOUNT litter:

1. Set litter in place and mark hole locations.
2. Move litter to allow access for drilling holes.
3. Drill holes per anchor manufacturer's recommendations.
4. Move unit back into position and install anchors. Leave glides installed.

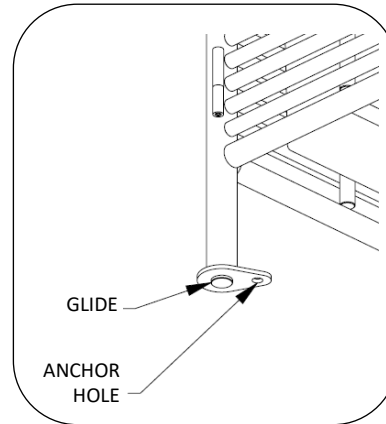


Fig. 1 – Anchor tab detail

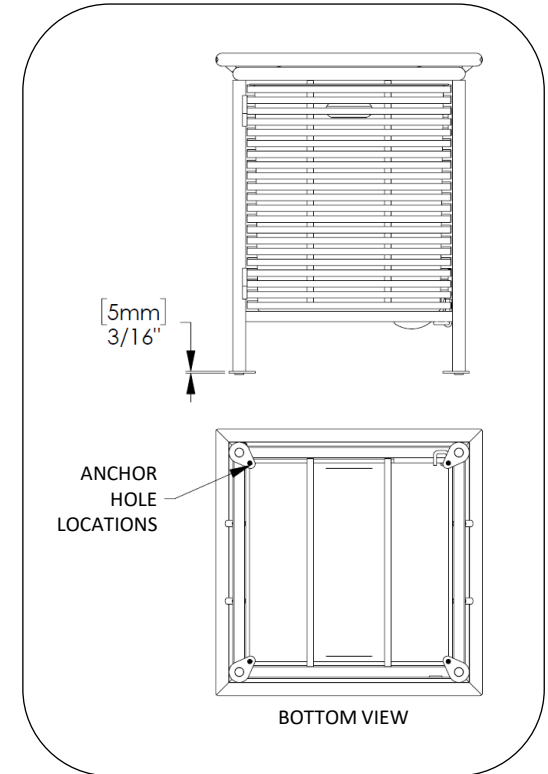


Fig. 2 – Anchor hole locations

ASSEMBLE WITH CARE! Pangard II® Polyester Powdercoat is a strong, long-lasting finish. To protect this finish during assembly, place unwrapped powdercoated parts on packaging foam or other non-marring surface. Do not place or slide powdercoated parts on concrete or other hard or textured surface – this will damage the finish causing rust to occur. Use touch-up paint on any gouges in the finish caused by assembly tools.