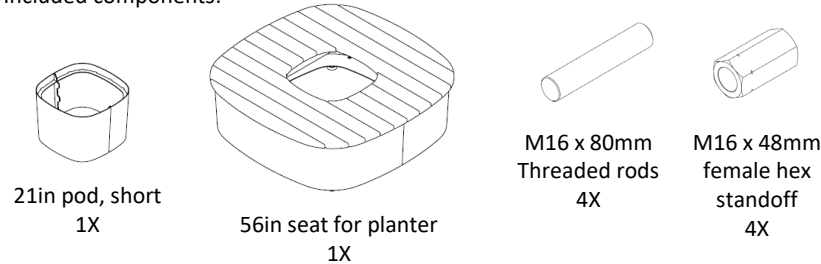


Included components:



Tools Required

- 24mm wrench/socket for installing planter into seat pod
- 9/16" wrench/socket for adding drain holes

Planter Size	Capacity
21in planter, short	20.7 gallons (2.7 ft ³)

OPTIONAL DRAIN HOLES:

1. Specific hardware may be removed on bottom of planter to allow for drainage. Refer to FIG 2 for locations. Do not remove any other hardware on planter. Using a 9/16" box wrench or socket wrench, remove hex bolt, metal washer and sealing washer before filling planter. Drain hole will be a 3/8-16 threaded hole.

ASSEMBLE WITH CARE! Pangard II® Polyester Powdercoat is a strong, long-lasting finish. To protect this finish during assembly, place unwrapped powdercoated parts on packaging foam or other non-marring surface. Do not place or slide powdercoated parts on concrete or other hard or textured surface – this will damage the finish causing rust to occur. Use touch-up paint on any gouges in the finish caused by assembly tools.

INSTALL GLIDE EXTENDERS:

1. Turn 21in planter upside down on protective surface.
2. Remove glides.
3. Install threaded rods and female standoffs as shown. Standoffs should be installed on threaded rod to the minimum dimension shown to allow for proper clearance when installed into seat.
4. Install glides into female standoffs.
5. Set planter into seat assembly, aligning bottom seam of planter with bottom seam of seat.

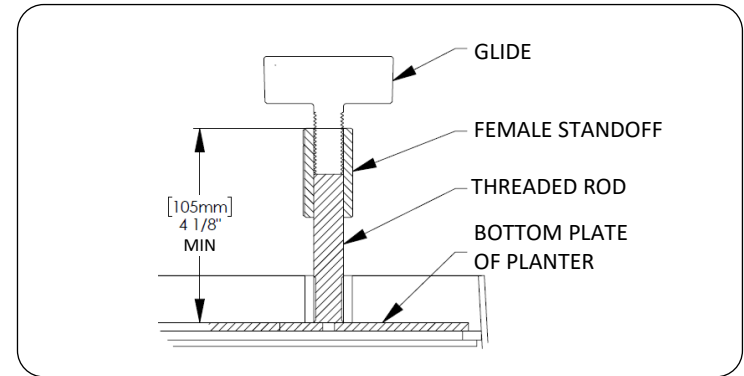


FIG 1 – INSTALL GLIDE EXTENDERS

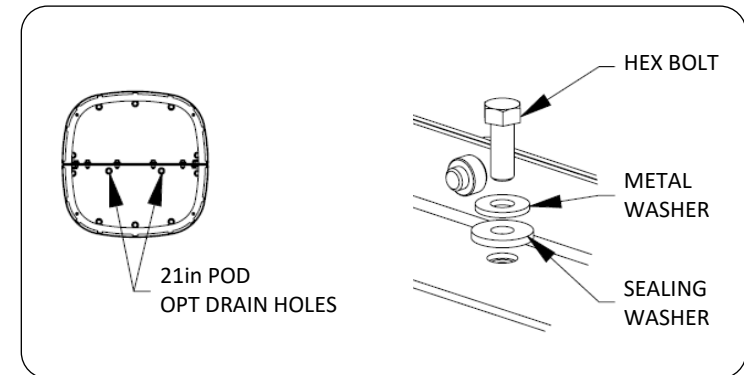


FIG 2 – DRAIN HOLE LOCATIONS, PLAN VIEW