

Instructions

Assembly
Installation
Operation

7/2007

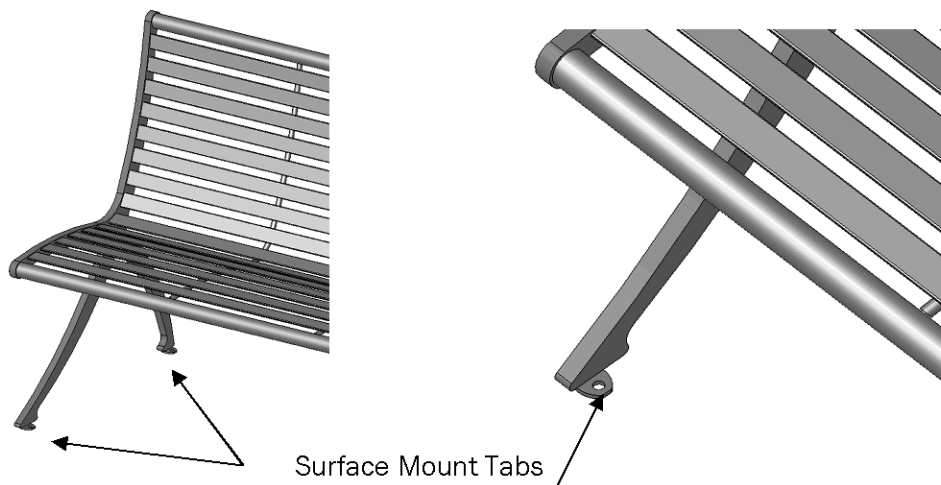
Parc Vue® Bench

HANDLE WITH CARE! Pangard II® polyester powder coat is a strong, long-lasting finish. Protect this finish from damage during installation. Place unwrapped powder coated parts on packaging foam or other non-abrasive surface. Do not place or slide powder coated parts on concrete or other hard or abrasive surfaces – this will damage the finish causing corrosion to occur. Use touch-up paint to repair any finish abrasions.

Recommended procedure for surface mounting:

Each bench is shipped with four mounting plates installed. Each plate can accept one anchor up to 3/8" thread size. Although the anchoring procedure and hardware are the responsibility of the installer, we suggest the following:

1. Select corrosion resistant anchors appropriate for the surface. Your hardware store or builders supply may be able to recommend the proper hardware, tools, and safety equipment.
2. Check the screws that fasten the mounting plates to the bench. Align plate to inside (as shown below) and tighten mount screws if necessary.
3. Place the bench in the desired position.
4. Mark hole locations.
5. Move the bench to allow access for drilling holes.
6. Install the anchors and bench according to the anchor manufacturer's instructions.



landscapeforms®

431 Lawndale Avenue, Kalamazoo, MI 49048
PH: 800.521.2546, PH: 269.381.0396, FX: 269.381.3455

Page 1 of 1