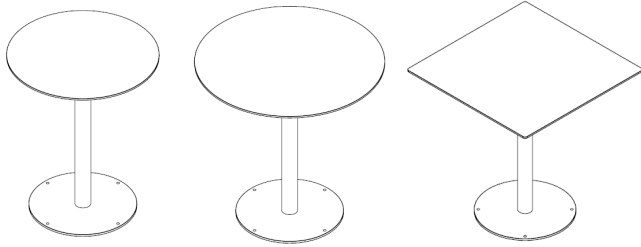


Included components:



Tools required for assembly

- Safety glasses
- (4) Max $\varnothing 3/8''$ non-corrosive anchors per table

ASSEMBLE WITH CARE! Pangard II® Polyester Powdercoat is a strong, long-lasting finish. To protect this finish during assembly, place unwrapped powdercoated parts on packaging foam or other non-marring surface. Do not place or slide powdercoated parts on concrete or other hard or textured surface – this will damage the finish causing rust to occur. Use touch-up paint on any gouges in the finish caused by assembly tools.

PROCEDURE FOR SURFACE MOUNTING:

Note: Unit ships fully assembled. Freestanding unit can be set in place. **DO NOT DRAG** unit across concrete or other rough surfaces. This could damage the powder coat finish.

WARNING! Tables are heavy. Use proper lifting equipment or personnel to move tables.

1. Set unit in position. Mark hole locations.
2. Move unit out of position. Drill holes according to anchor manufacturer's recommendations. Clear holes of debris.
3. Move unit back into position and install anchors.

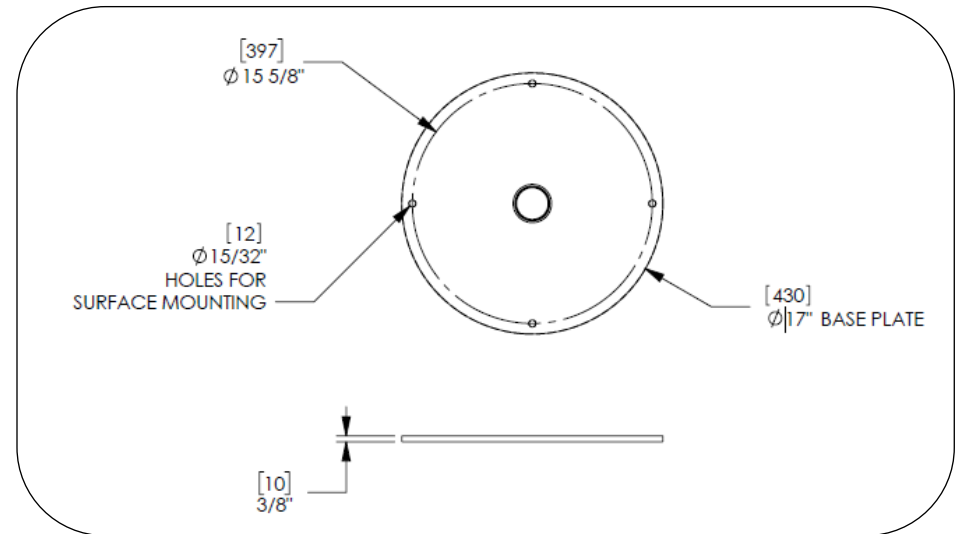


Fig. 1 – base plate detail