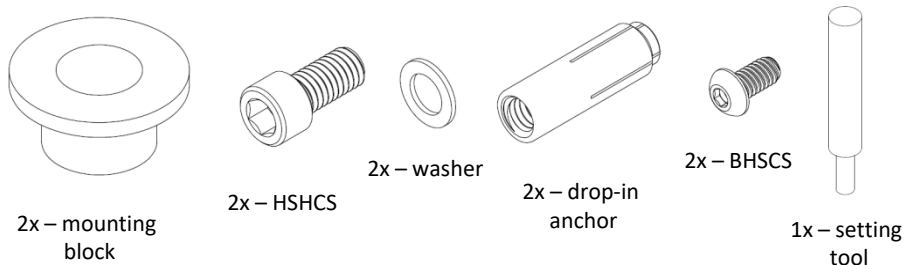


Included components:

- Bench ships fully assembled
- For surface mount option: (2) each: stainless steel mounting blocks, drop-in screw anchors for  $\varnothing 3/8-16$  screw,  $\varnothing 3/8-16 \times 3/4$ " hex socket head cap screws,  $3/8$ " washers, and  $1/4-20 \times 1/2$ " button socket head cap screws.



Tools Required for Surface Mount option

- Safety glasses
- Hammer drill with masonry bits
- Hex keys,  $5/16$ " and  $5/32$ "
- Hammer

**ASSEMBLE WITH CARE!** Pangard II® Polyester Powdercoat is a strong, long-lasting finish. To protect this finish during assembly, place unwrapped powdercoated parts on packaging foam or other non-marring surface. Do not place or slide powdercoated parts on concrete or other hard or textured surface – this will damage the finish causing rust to occur. Use touch-up paint on any gouges in the finish caused by assembly tools.

PROCEDURE FOR INSTALLATION:

1. Prepare proper concrete slab as required.
2. Freestanding bench ships with glides installed. Bench can be set in place.

**Note:** DO NOT DRAG bench across concrete or other rough surfaces. This could damage the powdercoat finish.

For SURFACE MOUNT bench:

1. Set bench into position and adjust glides as necessary. Trace around 2 glides on opposite corners, see Fig. 1., to mark hole locations.
2. Move bench and drill holes according to Fig 3. Clear holes of debris.
3. Install drop-in anchors flush with surface of concrete.
4. Expand anchor with setting tool. Anchor is properly expanded when shoulder of setting tool is flush with top of anchor.
5. Set mounting block over drop-in anchor. Install washer and socket head cap screw as shown in Fig. 2. Tighten to 55-60 ft-lbs.
6. Reset unit in position, aligning glides over mounting blocks.
7. Install button head cap screw through the hole in the glide as shown in Fig. 3. Repeat for all glide locations.
8. Periodically check fasteners and tighten if required.

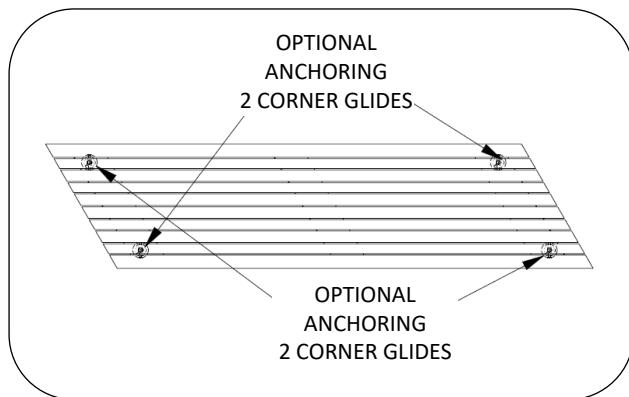


Fig. 1

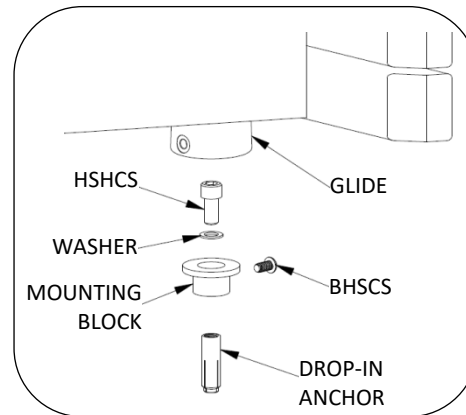


Fig. 2

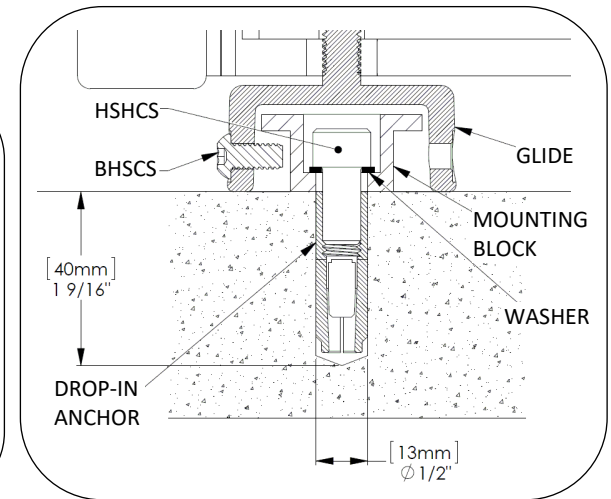


Fig. 3