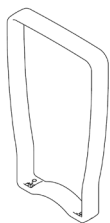
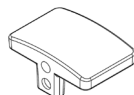


Bike Rack

Included components



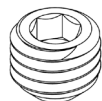
1x - Frame



2x - Cover plate



2x - Set screw
1/4-20 x 1/2"



4x - Leveling
Set screws
5/8-11 x 1/2"



Embedded option:
2x - Threaded rod
5/8-11 x 3-1/2"
with thread patch

Tools Required

- Unit ships assembled
- 1/8" hex key
- 5/16" hex key
- Hammer drill with masonry bits
- For embedded mount option: chemical anchoring adhesive (Hilti HIT RE 500 or equivalent)
- For surface mount option: stainless steel anchoring hardware, (2) required per unit (not included). Landscape Forms, Inc. recommends maximum 1/2" dia bolt, with a minimum embedded depth of 3" (see Fig. 5. for bolt clearances).

WARNING! Unit must be anchored.

ASSEMBLE WITH CARE! Pangard II® Polyester Powdercoat is a strong, long-lasting finish. To protect this finish during assembly, place unwrapped powdercoated parts on packaging foam or other non-marring surface. Do not place or slide powdercoated parts on concrete or other hard or textured surface – this will damage the finish causing rust to occur. Use touch-up paint on any gouges in the finish caused by assembly tools.

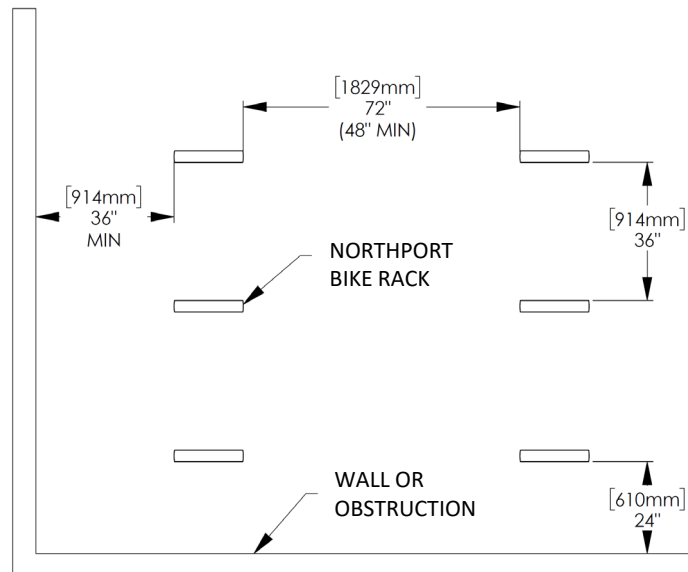


Fig. 1. - Recommended spacing, according to Association of Pedestrian and Bicycle Professionals (APBP)

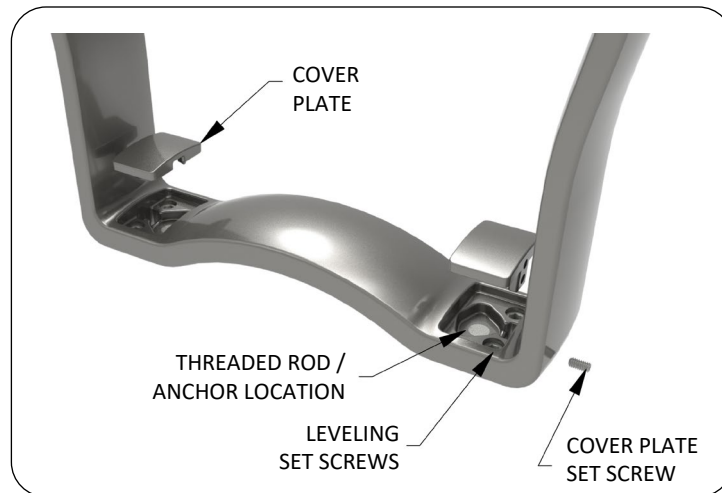


Fig. 2. – Component detail

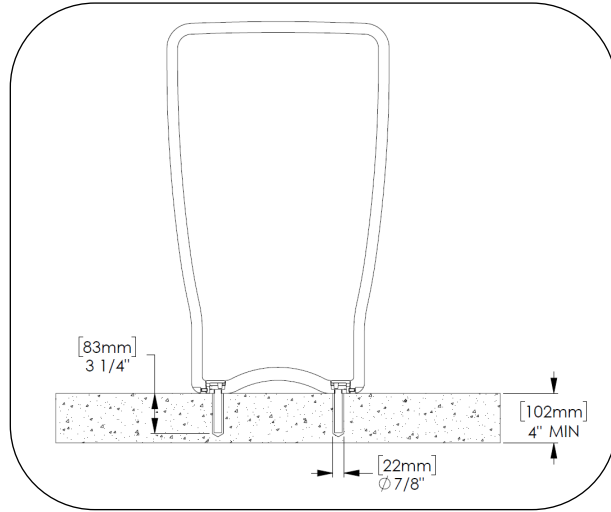


Fig. 3. – Hole size for embedded bike rack

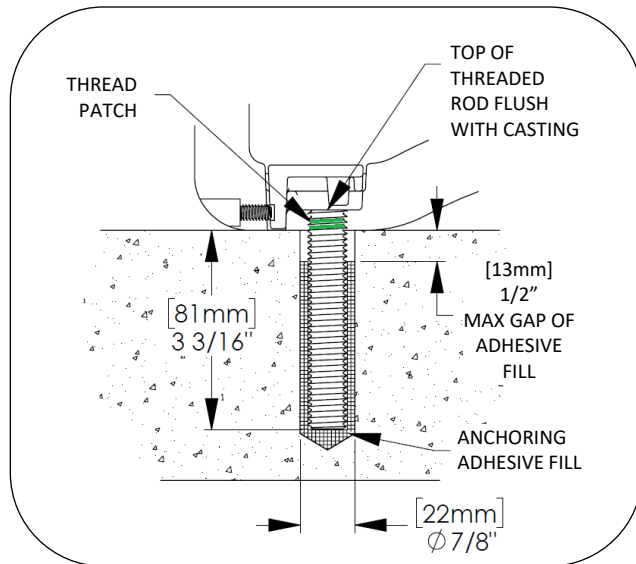


Fig. 4. – Install threaded rod

INSTALLATION PROCEDURE:

WARNING! Unit must be anchored.

1. Set bike rack in position. Using 5/16" hex key, adjust leveling set screws until unit is plumb.
2. Mark hole locations. See Fig. 1 for recommended spacing.
3. Move bike rack and drill holes. Clear debris from holes.

FOR EMBEDDED MOUNT:

1. Thread anchor rods with thread patch into bike rack as shown in Fig. 4.
2. Fill holes with adhesive to level shown in Fig. 4.
3. Set unit in place and wipe away excess adhesive.
4. After adhesive has fully cured to manufacturer's recommendation, turn all four leveling glides equally until tight to remove any excess movement of the bike rack.

FOR SURFACE MOUNT:

1. Set unit in place and install anchor bolts (not supplied by Landscape Forms) according to anchor manufacturer's instructions.
2. Turn all four leveling set screws equally until tight to remove any excess movement of the bike rack.

FOR COVER PLATE INSTALLATION:

1. Install cover plates by inserting tab end into casting frame.
2. Using 1/8" hex key, install 1/4-20 set screw through the casting frame until it engages the cover plate. Repeat for opposite side.

Warning! Do not over tighten the set screw, which can cause the cover plate to deform.

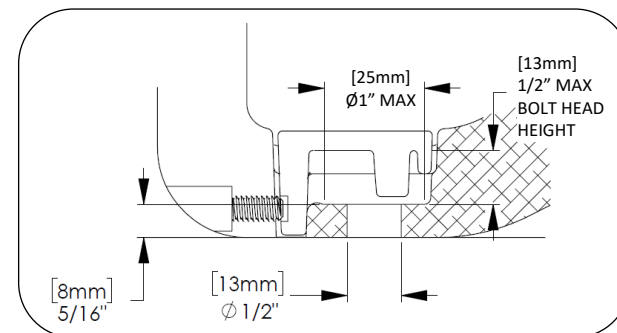


Fig. 5. – Anchor hole clearance for surface mount