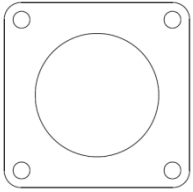
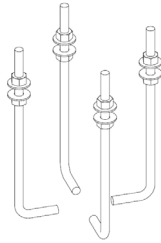


Included components



1x – wooden drill template



Anchor kit

Included: hardware is galvanized

(4) anchor bolts, 3/4"-10 x 17" x 3" hook ,
(8) heavy hex nuts, 3/4" x 10, (8) flat washers, .81 ID" x 1.5" OD x 0.13" thick

Tools Required

- Safety glasses
- Wrenches, 1-1/4"
- Level

LIGHTING LAYOUT RECOMMENDATIONS:

Refer to the product data sheet available at www.landscapeforms.com for recommendations for light pole spacing.

Landscape Forms is not responsible for site preparation and footings. Refer to pole drawings for pole calculations required for footing design.

WARNING! Pole mounted luminaires must be attached either before or *immediately* after pole installation. Failure to do so may cause vibration damage to the pole and will void the pole warranty.

ASSEMBLE WITH CARE! Pangard II® Polyester Powdercoat is a strong, long-lasting finish. To protect this finish during assembly, place unwrapped powdercoated parts on packaging foam or other non-marring surface. Do not place or slide powdercoated parts on concrete or other hard or textured surface – this will damage the finish causing rust to occur. Use touch-up paint on any gouges in the finish caused by assembly tools.

INSTALLATION PROCEDURE FOR ANCHOR BOLTS:

1. Prepare footing as required by local codes.
2. Install anchor hooks, hex nuts, washers and wooden template as shown in Fig 1. Level template in all directions.
3. After footing has properly cured, remove wooden template. Do not remove lower hex nuts or washers.

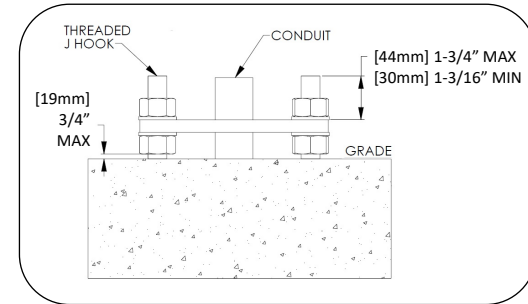
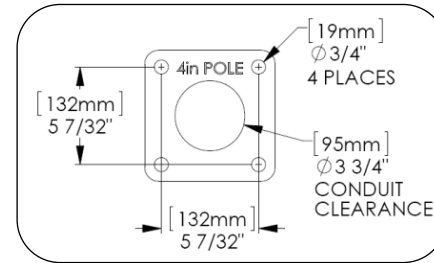
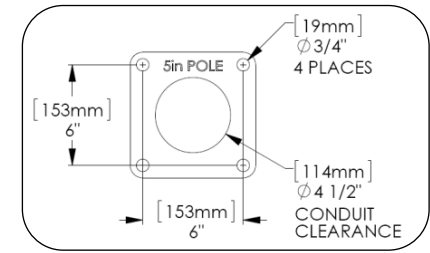


Fig. 1 – Anchor install detail

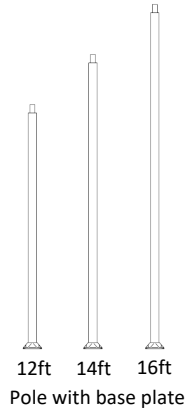


4" diameter pole



5" diameter pole

Included components



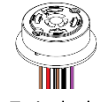
12ft 14ft 16ft
Pole with base plate



Luminaire, single post top mount, no twist-lock



Luminaire, single post top mount, with twist-lock



Twist lock receptacle, optional



Shorting cap for Twist lock, optional



Base cover with (4) M5 x 10mm SBHCS (optional)



6X - Set screw for Tenon mt



GFCI outlet (optional)



Motion sensor (optional)



Nut cover with 1/4-20 x 5/8" button head cap screw

Tools Required

- Safety glasses
- Wrenches, 1-1/8"
- Wiring tools and connectors
- Proper personnel, crane or lift for hoisting unit onto anchors
- Level
- Dimming control, if required
- Hex keys, 5mm, 3mm (for base cover option), 5/32" for nut covers
- Twist lock photo eye control, if required
- Phillips screwdriver

CAUTION! This unit is heavy. To avoid injury or damage to the finish, we recommend using a crane or lift for hoisting the unit onto the anchors.

Landscape Forms is not responsible for site preparation and footings. Refer to the anchor kit installation guide for setting the anchor bolts.

WARNING! Pole mounted luminaires must be attached either before or *immediately* after pole installation. Failure to do so may cause vibration damage to the pole and will void the pole warranty.

WARNING! Installer must provide strain relief to line-in wires where they connect to light fixture and occupancy sensor wires. Failure to do so may cause electrical failure and will void warranty.

WARNING!: LED cartridge and driver are not rated for connection or disconnection while energized. Doing so may damage LEDs and will void the warranty. Disconnect incoming power before making or breaking any electrical connections.

INSTALLATION PROCEDURE FOR LIGHT POLE:

Note: assembled unit is heavy. Wiring connections should be made before lifting pole onto anchors.

RUN WIRING:

1. Using protective padding, position base plate of pole near conduit location. Ground line in must be connected to ground lug near handhole. Ground wire extends up the pole for all configurations.

For poles with GFCI outlet:

1. Run line-in voltage wiring inside pole base plate, extending out through the receptacle hole for the GFCI outlet. Connect line-in voltage wiring to line terminals on outlet receptacle. Attach receptacle to pole. Refer to wiring diagram for GFCI outlet.

For poles with occupancy sensor:

1. Run line-in voltage wiring inside pole base plate, extending out through the top of the pole.
2. Run wiring from occupancy sensor through the sensor mount bracket and out through the top of the pole.
3. Thread the occupancy sensor onto the mount bracket until snug, with the sensor aligned with base of the pole, see Fig. 4.
4. Connect the occupancy sensor to the line-in voltage wiring, refer to wiring diagram for occupancy sensor.

For single luminaire mount:

Note: When ordered with Twist-Lock Receptacle, the receptacle is pre-wired into the top of the luminaire.

1. Run line-in voltage wiring inside pole base plate, extending out through the top of the pole.
2. Connect line-in voltage wiring to the wires exiting the bottom of the luminaire hub. Refer to wiring diagrams.
3. For units with twist-lock receptacle, replace supplied shorting cap with photo-control (supplied by others).

INSTALL LUMINAIRE/POLE ASSEMBLY

1. Install single luminaire over tenon mount on pole. Using 5mm hex key, install and tighten all 6 set screws to secure luminaire to tenon, see Fig. 2, level as required. For asymmetric light distribution luminaires, one arm of the luminaire will be clearly marked as 'Front', see Fig. 1.
2. Lift the light pole into position over the installed anchors (refer to Northport anchor kit installation guide) as shown in Fig. 3. Ensure that the base plate is resting on all four washers.
3. Install washer, lock washer and hex nut as shown in Fig. 3.
4. Plumb and level the pole and tighten all anchors

ASSEMBLE WITH CARE! Pangard II® Polyester Powdercoat is a strong, long-lasting finish. To protect this finish during assembly, place unwrapped powdercoated parts on packaging foam or other non-marring surface. Do not place or slide powdercoated parts on concrete or other hard or textured surface – this will damage the finish causing rust to occur. Use touch-up paint on any gouges in the finish caused by assembly tools.

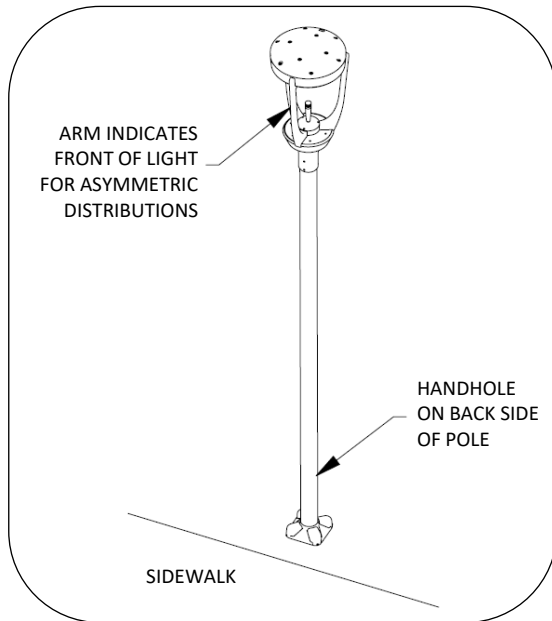


Fig. 1 – Pole orientation

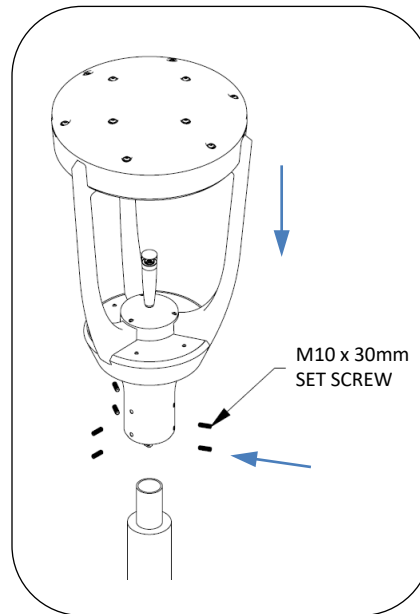


Fig. 2 – Install single post top luminaire on pole

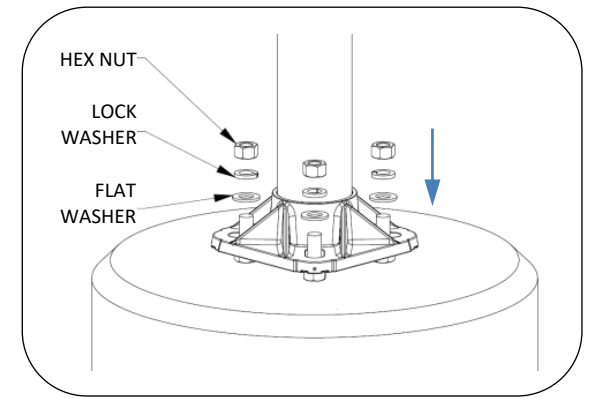


Fig. 3 – Install pole

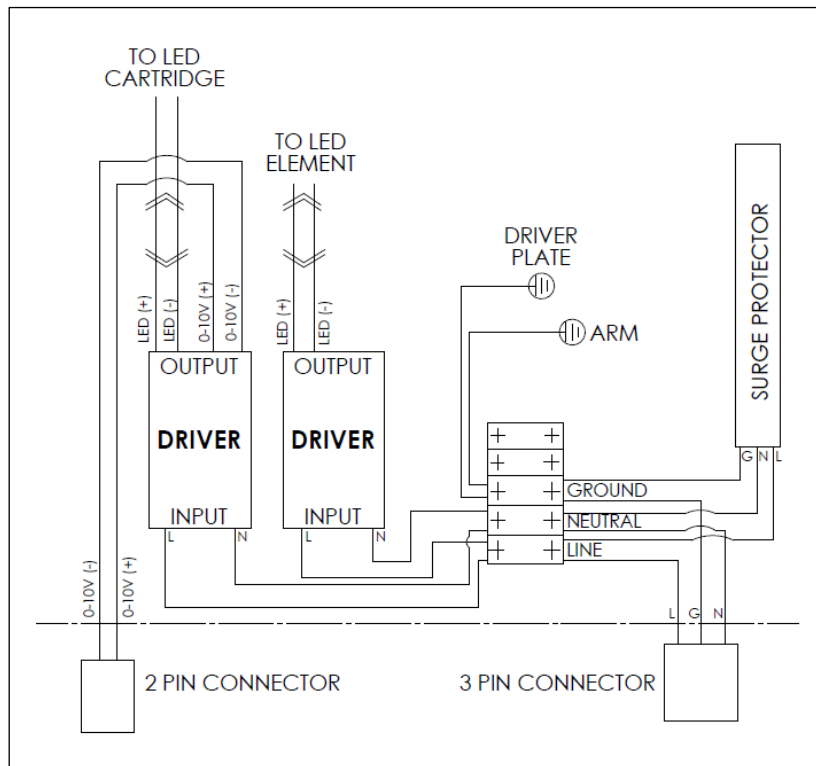
PROCEDURE FOR WIRING NORTHPORT:

The Northport luminaire is assembled at the factory. The light cartridge is mounted into the head of the luminaire and will not need to be removed during installation. The LED cartridge is wired to the driver (located in the base of the luminaire) at the factory. Use of LED drivers other than the supplied unit is not recommended and will void the warranty.

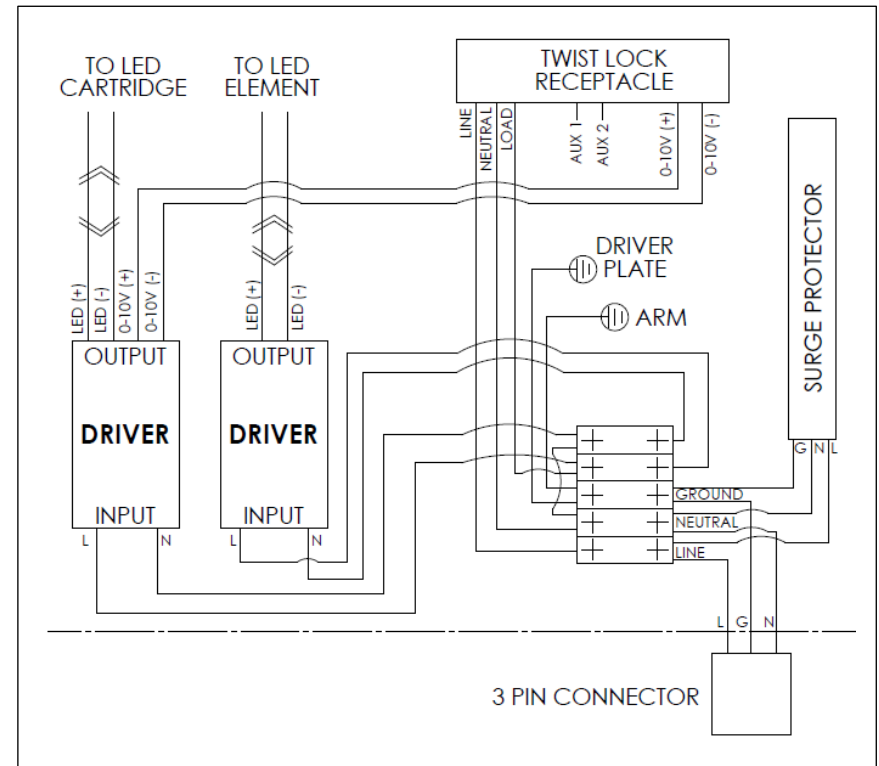
The wiring schematics are to be used to connect the unit to line voltage. It is the responsibility of the installer to make sure that all connections are made in accordance with the NEC and local building codes. Connection hardware not included.

Line-in wires should be connected to the terminal block as shown. Optional dimming control is not included.

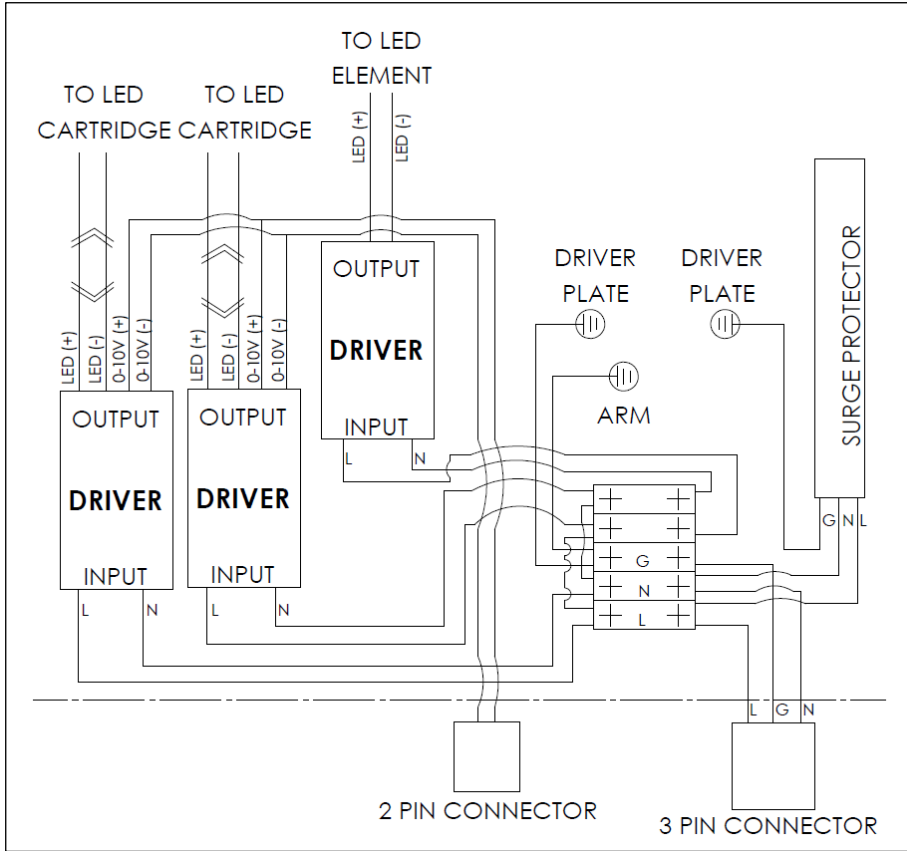
WARNING!: LED cartridge and driver are not rated for connection or disconnection while energized. Doing so may damage LEDs and will void the warranty. Disconnect incoming power before making or breaking any electrical connections.



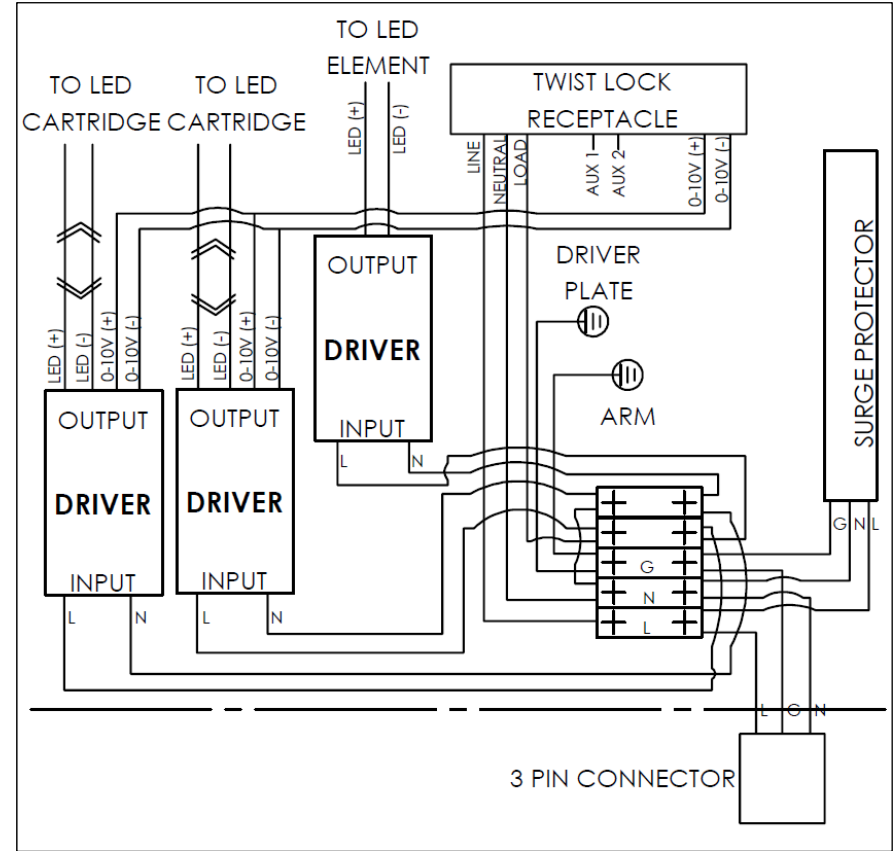
WIRING DIAGRAM: No twist lock: DR301 luminaire



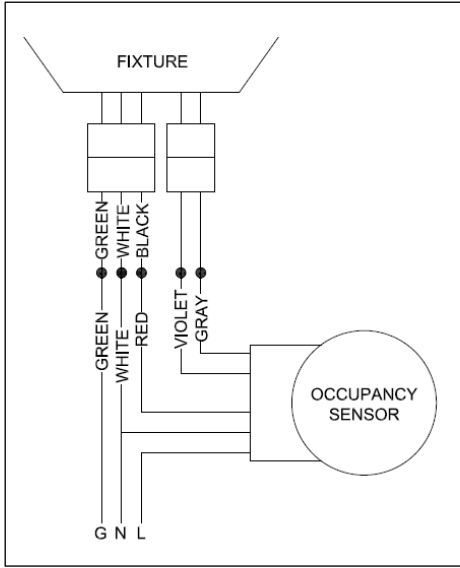
WIRING DIAGRAM: With twist lock: DR301 luminaire



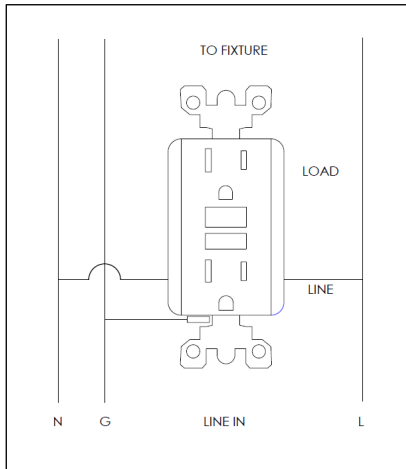
WIRING DIAGRAM: No twist lock: DR306 luminaire



WIRING DIAGRAM: With twist lock: DR306 luminaire



WIRING DIAGRAM: occupancy sensor for single post top luminaire



WIRING DIAGRAM: GFCI outlet

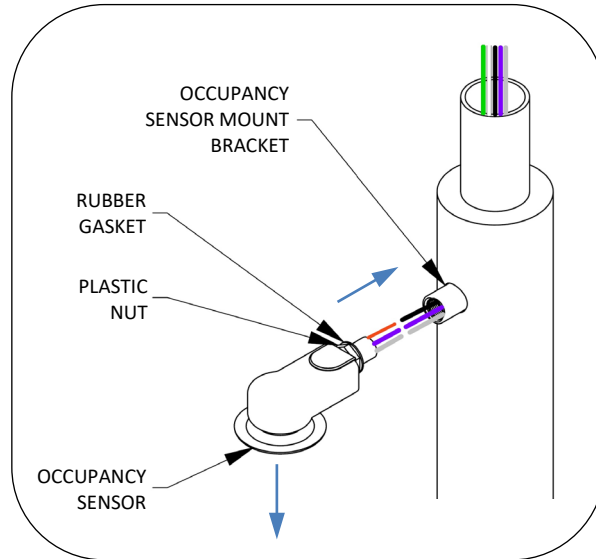


Fig.4 – Install optional occupancy sensor

INSTALLATION PROCEDURE FOR NUT COVERS OR BASE COVER:

For nut covers:

1. Install nut covers (shipped with pole) as shown in Fig. 5.

For base cover:

1. Place base covers in position. Using 3mm hex key, install M5x0.8x12mm button head cap screws (4 places) as shown in Fig. 6.

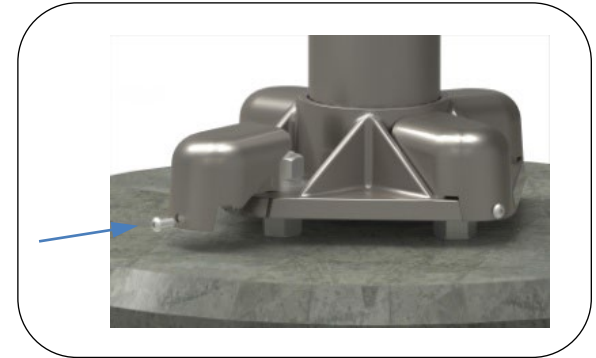


Fig. 5 – Install nut covers

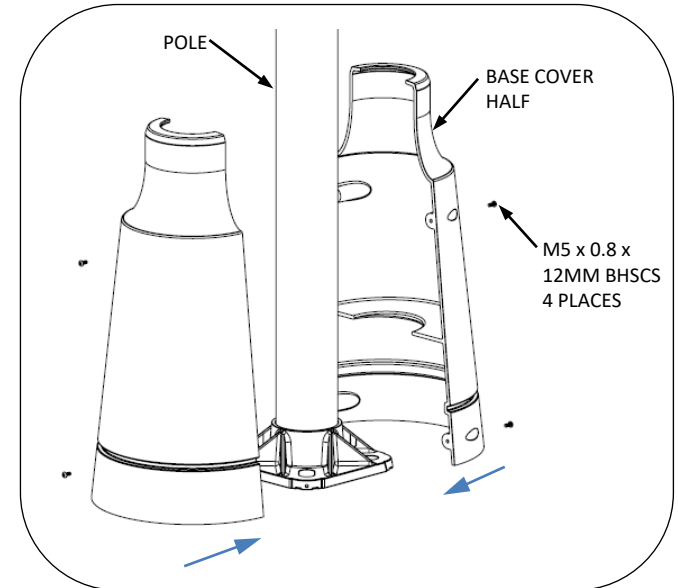


Fig. 6 – Install optional base cover