

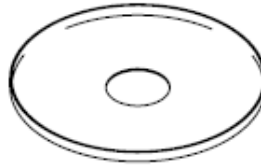
Included components



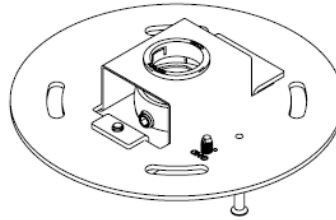
Luminaire with wire



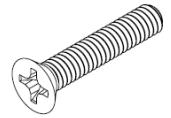
Rigid stem



Ceiling cover plate



Ceiling mount assembly



2X – 8-32 x 3/4"
Flat hd mach screw



1X – 8-32 x 3/16"
Set screw



1X – cord cover

Tools Required

- Safety glasses
- 5/64", 3/32", 1/8" and 3/16" hex keys
- Wiring tools and connectors
- Phillips screwdriver
- Slotted screwdriver
- Thread patch
- Pipe cutters for 5/8" dia pipe, optional, for cutting rigid stem to length
- 1/8" drill bit, optional, if cutting rigid stem to length
- Standard 4in octagon junction box, installed (not included)

WARNING!: LED cartridge and driver are not rated for connection or disconnection while energized. Doing so may damage LEDs and will void the warranty. Disconnect incoming power before making or breaking any electrical connections.

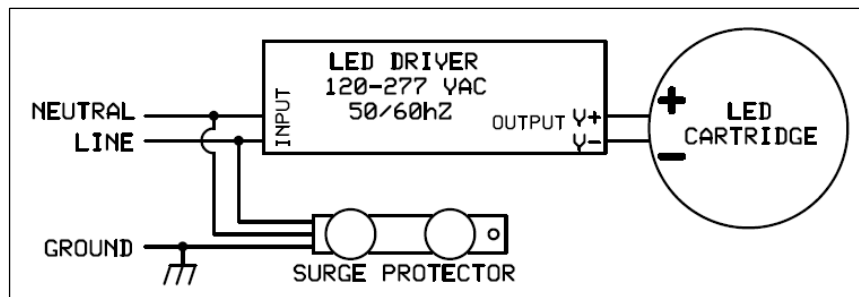
ASSEMBLE WITH CARE! Pangard II® Polyester Powdercoat is a strong, long-lasting finish. To protect this finish during assembly, place unwrapped powdercoated parts on packaging foam or other non-marring surface. Do not place or slide powdercoated parts on concrete or other hard or textured surface – this will damage the finish causing rust to occur. Use touch-up paint on any gouges in the finish caused by assembly tools.

INSTALLATION PROCEDURE:

Landscape Forms is not responsible for site preparation.

Note: The pendant mount plate is designed to work with a standard 4in octagon junction box, supplied by installer. The outside face of the box should be flush or slightly recessed with the ceiling.

1. Determine overall drop of fixture. Included wiring harness is 80in long.
2. Determine length of rigid stem needed. Cut to length if necessary. Refer to page 6-7 for instructions.
3. Slide components over cord as shown in Fig. 1. Use of thread patch is recommended when attaching stem to luminaire.
4. Attach cord grip cover using (1) 8-32 x 3/16" set screw.
5. Attach swivel mount plate to junction box. Refer to page 4-5 for instructions.
6. Make wiring connections in junction box according to local codes. Grounding lug and pigtail are preassembled to the ceiling mount plate.
7. Note: luminaire ships assembled. To reduce weight of fixture during installation, the luminaire cartridge can be temporarily removed. To remove luminaire cartridge, see Fig. 2. Back out three set screws to loosen dome. Disconnect the wiring harness plug. Set cartridge aside. Do not fully back out set screws from dome.
8. Reattach fixture to dome after mounting is complete. Reattach wiring harness plug. Align set screws with the holes in the cartridge and tighten evenly. Gently lift the dome while threading in the set screws to check for proper engagement of threads.



wiring diagram

ASSEMBLE WITH CARE! Pangard II® Polyester Powdercoat is a strong, long-lasting finish. To protect this finish during assembly, place unwrapped powdercoated parts on packaging foam or other non-marring surface. Do not place or slide powdercoated parts on concrete or other hard or textured surface – this will damage the finish causing rust to occur. Use touch-up paint on any gouges in the finish caused by assembly tools.

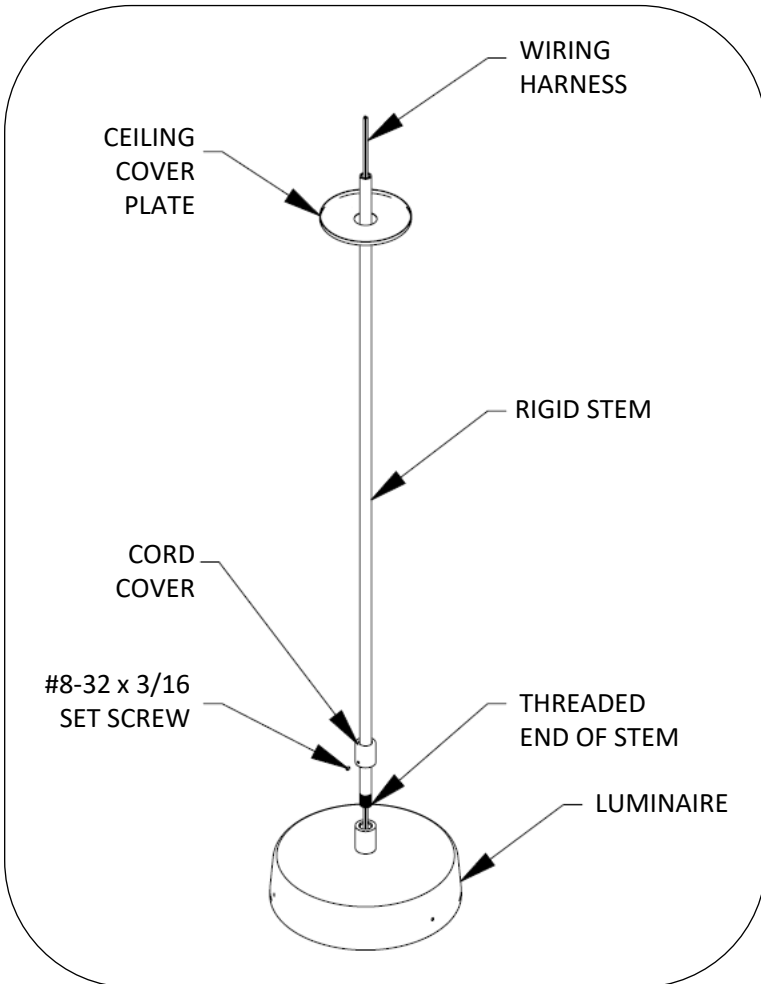


Fig. 1 – secure mt plate and gasket to junction box

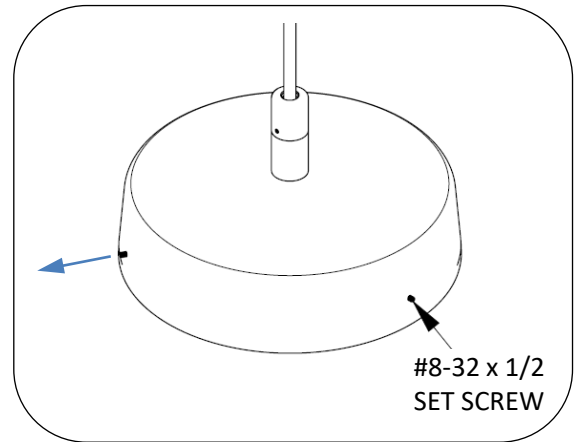


Fig. 2 – back out set screws

PROCEDURE FOR WIRING:

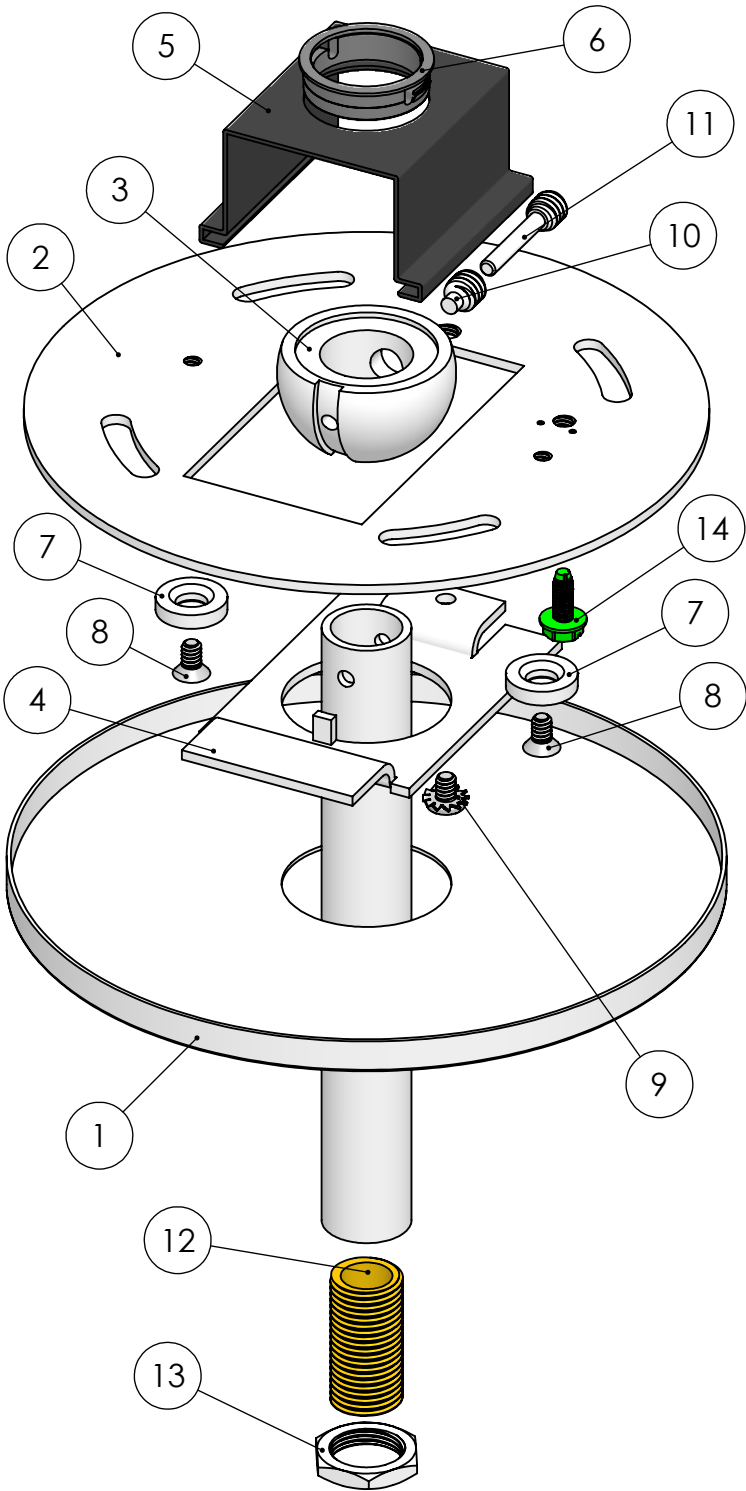
The Motive pendant mount luminaire is assembled at the factory. The light cartridge is mounted into the body of the luminaire and will not need to be removed during installation. The LED cartridge is wired to the driver at the factory. Use of LED drivers other than the supplied unit is not recommended and will void the warranty.

Connection hardware not included.

Installers are responsible for line-in connections.

Optional dimming control is not included.

Note: This unit is pre-wired.



ITEM NO.	PART NUMBER	DESCRIPTION	QTY.
1	276	5" Round w/ 1.18" CH	1
2	MP Crossbar Round	4.75" Round Crossbar .080" Material Thickness Zinc Plated Steel	1
3	#34ADJ	3/8" IP Slip Half Ball Bright Casting	1
4	MP Plate HB	Monopoint Plate for Half Ball for MP Crossbar 2.82" L x 1.650" W x .075" Material Thickness Half Ball Opening for #35, #34 and #147 Tapped 8/32" Hole Zinc Plated Steel	1
5	MP Swivel Clip	Mono Point Swivel Retaining Clip for MP-Plate HB Spring Steel	1
6	#237	.875" Hole Bushing .945" W x .750" I.D. x .250" H .063" Max Panel Thickness	1
7	Magnet	#6 & #8 Magnet	2
8	271	6/32" x 1/4" L Flat Head Philips Machine Screw	2
9	183	8/32" x 1/4" Philip Head Ext Sems Steel Zinc Screw	1
10	#ADJ-SS	1/4" -20 Short (.350" Long) Socket Set Screw w/.125" DIA Point & 1/8" Allen Hex Head Pin for ADJ Series Half Balls	1
11	#SSS	1/4" -20 Socket Set Screw w/.125 DIA & 1/8" Allen Hex Head Pin for ADJ Series Half Balls	1
12	49-1	1/4" IP Nipple 1" L	1
13	#25	1/4" IP x 11/16 O.D. x 1/8" Thick Zinc Plated	1
14	#32	8/32 Green Ground Screw	1

STEM LENGTH WILL VARY. ORDER SEPARATELY
 MP SW3/8 RD MAG ADJ ID USED WITH STEM
 3/8" IP I.D. PH
 3/8" IPS .625"-.635" O.D. 18 T.P.I
 Add Suffix WHT for White or BK for Black

*38° SWIVEL

This Document
 Contains Proprietary
 Data that is property
 of Pendant Systems
 which reserves all
 rights to it.
 Unauthorized use
 without authorization
 is prohibited.

Pendant Systems

1670 Winchester Rd.
 Bensalem, PA 19020
 P-215-638-8552
 F-215-638-8554
www.PendantSystems.com

UNLESS OTHERWISE SPECIFIED DIMENSIONS ARE IN BOTH INCHES & MILLIMETERS UNLESS OTHERWISE NOTED TOLERANCES:

LINEAR: XX= .02" XXX= \pm .010" ANGULAR: \pm 1 Degree

DO NOT SCALE DRAWING

DEBUR AND BREAK SHARP EDGES

DRAWN DATE: 4/4/17

FINISH:

MATERIAL:

Drawn By: MWR

TITLE:

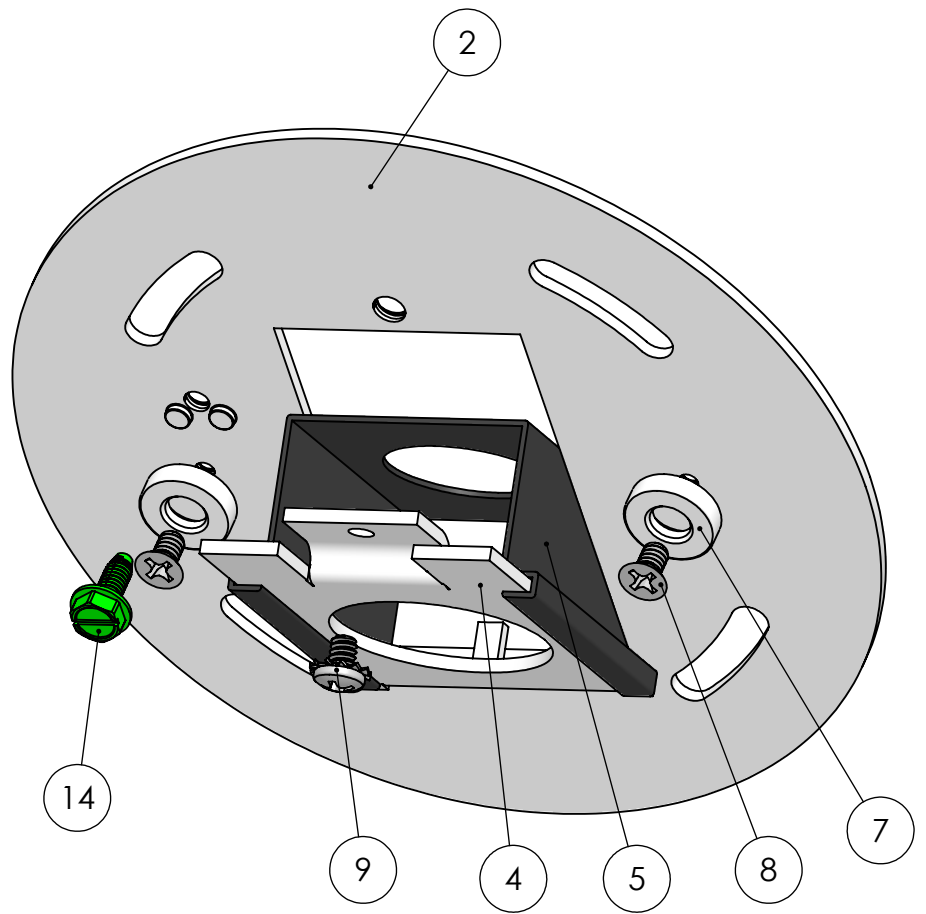
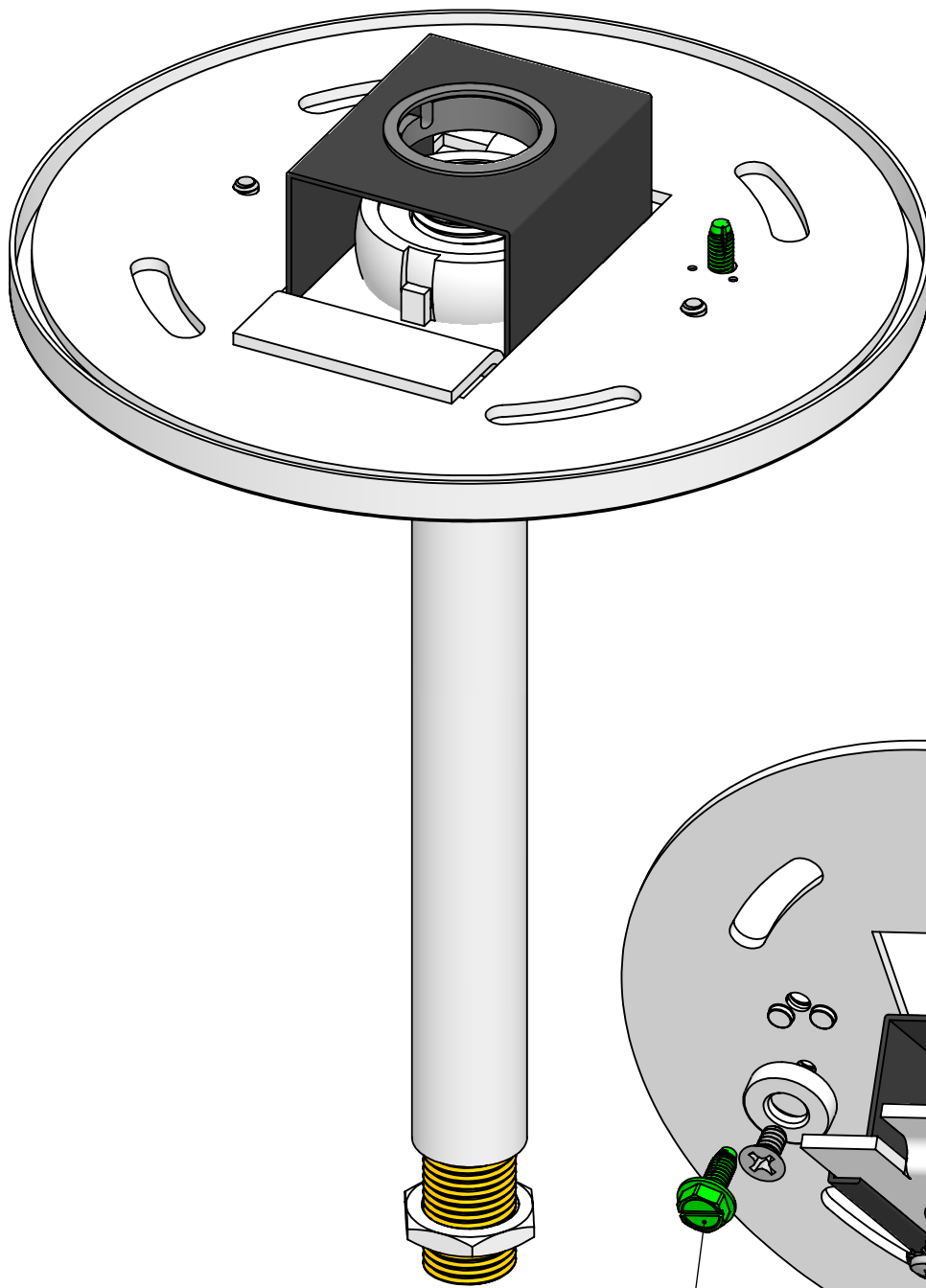
MP SW 3-8 RD MAG ADJ ID

Part #

SCALE: NTS

SHEET 1 OF 2

REVISION



This Document
Contains Proprietary
Data that is property
of Pendant Systems
which reserves all
rights to it.
Unauthorized use
without authorization
is prohibited.

Pendant Systems

1670 Winchester Rd.
Bensalem, PA 19020
P-215-638-8552
F-215-638-8554
www.PendantSystems.com

UNLESS OTHERWISE SPECIFIED DIMENSIONS ARE IN BOTH INCHES & MILLIMETERS UNLESS OTHERWISE NOTED TOLERANCES:

LINEAR: XX= .02" XXX= \pm .010" ANGULAR: \pm 1 Degree

DO NOT SCALE DRAWING

DEBUR AND BREAK SHARP EDGES

DRAWN DATE: 4/4/17

FINISH:

MATERIAL:

Drawn By: MWR

TITLE:

MP SW 3-8 RD MAG ADJ ID Assembled

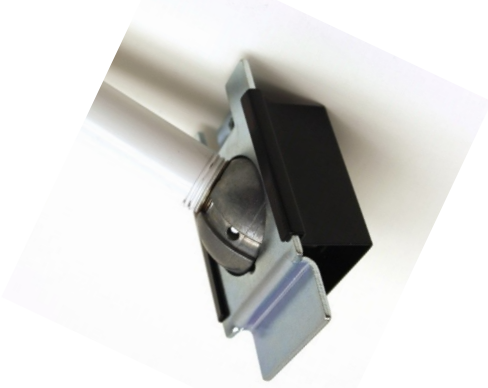
Part #

SCALE: NTS

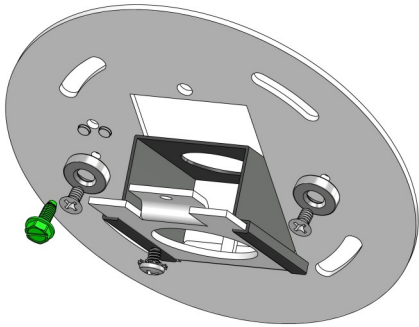
SHEET 2 OF 2

REVISION

Mono Point Swivel Magnet Stem Suspension Assembly Instructions



Assemble MP-Plate HB on stem with half ball on stem, then slide MP Swivel clip black side



Insert tail end, then shift tapped side on inside of crossbar and fasten with 8/32" screw. Center magnets on 6/32" holes on crossbar with the 6/32" side of the magnet facing downward. Insert #271 screws and tighten.



Assembly is rated for 50 lbs. Static Loads Only

(No dynamic or moving loads)

Not for chemical or pool corrosive environments

Warning Electrical Shock Hazard: All wiring should be done by a qualified electrical professional

Disconnect all power sources before attempting to install

- 1) Mount Mono Point Crossbar as shown to 4" octagonal or 4" square box. *Tip: If you back off screws on crossbar then MP Plate will slide closer to J-Box. Remember to tighten crossbar screws when MP Plate, J-Box and MP Crossbar are in place.
- 2) Assemble stem into fixture with locknuts and pull wiring conductors out 6" longer than stem.
- 3) Insert canopy over stem.
- 4) Place MP-Plate onto stem and thread half ball onto stem.
- 5) Insert plastic snap bushing into swivel clip and slide onto MP-Plate HB.
- 6) Make electrical connections and grounding while holding up fixture.
- 7) Hinge MP-Plate as shown above on inside of MP Crossbar. Slide the plate in so the tapped screw holes on the other side of the plate align with the crossbar. Fasten in place with 8/32" screw.
- 8) Push canopy to junction box and fasten to crossbar using 2-6/32" screws
- 9) Insert the Philips Tap Caps to the top of the Philips screws on the canopy.

Mono Point Patent 9,133,981 B2 Pendant Systems Mfg.

Pendant Systems

The Lighting Suspension Specialists

www.Pendant Systems.com

P-215-638-8552

Fax 215-638-8554

Field Cut Adjustable Stem System for Swivel Canopy Sets



34 ADJ



35 ADJ



SSS

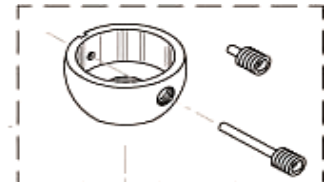


ADJ-SS



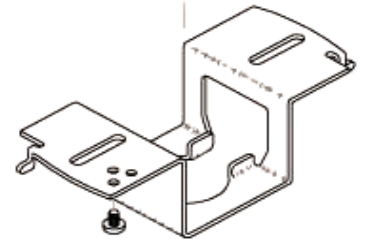
1- Cut stem to desired length and deburr inside edge. Insert ADJ casting onto the stem with the edge of the cut even with the back of the casting and insert

ADJ-SS screw (*short one*) and tighten the set screw in the casting to the stem.

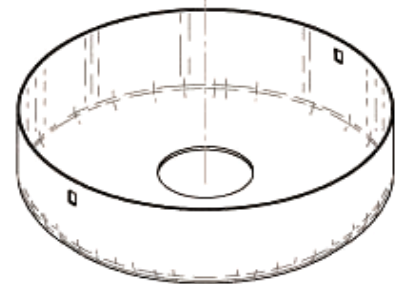


2- Drill a 1/8" Hole through the hole on the casting opposite the set screw.

Always use eye protection.



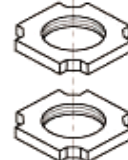
3- Loosen set screw in casting and rotate 180 degrees placing set screw centered on drilled 1/8" hole. Tighten screw allowing screw to be centered on hole. *You should see pin on inside of tube when set correctly.*



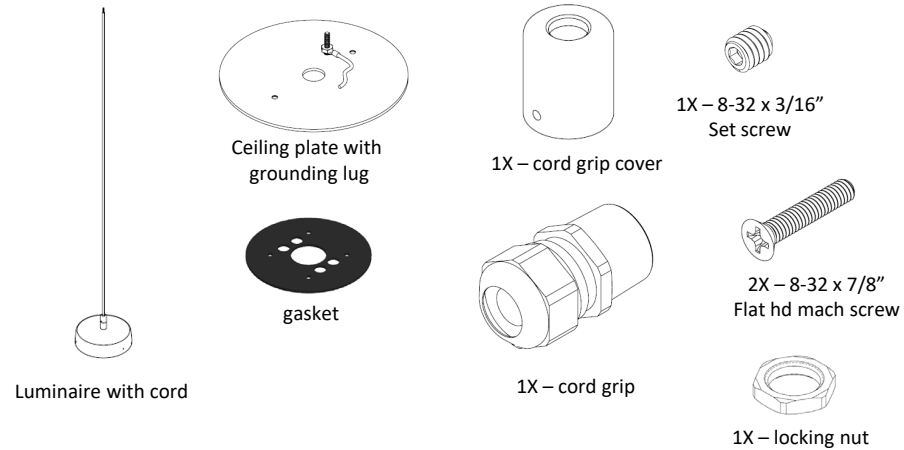
4- Drill a 2nd 1/8" hole through the hole on the casting opposite the set screw. *Deburr any sharp edges on ID of stem from drilling holes.*



5- Remove short set screw on casting and insert SSS (*socket set screw-long one*) into tapped hole through the drilled hole in stem and through to other side of stem. Tighten set screw using Allen wrench so pin engages through opposite 1/8" drilled hole on opposite side of stem and into casting.



Included components



Tools Required

- Safety glasses
- 5/64", 3/32" and 3/16" hex keys
- Wiring tools and connectors
- Phillips screwdriver
- Standard 4in octagon junction box, installed (not included)

ASSEMBLE WITH CARE! Pangard II® Polyester Powdercoat is a strong, long-lasting finish. To protect this finish during assembly, place unwrapped powdercoated parts on packaging foam or other non-marring surface. Do not place or slide powdercoated parts on concrete or other hard or textured surface – this will damage the finish causing rust to occur. Use touch-up paint on any gouges in the finish caused by assembly tools.

INSTALLATION PROCEDURE:

Landscape Forms is not responsible for site preparation.

Note: The pendant mount plate is designed to work with a standard 4in octagon junction box, supplied by installer. The outside face of the box should be flush or slightly recessed with the ceiling.

1. Determine overall drop of fixture. Included 18/3 SOOW cord is 72in long. Cut exposed end of cord as needed, leaving an additional min. 4" length for wiring connections at junction box.
2. Slide components over cord as shown in Fig. 1. Tighten cord grip in position on the cable, tighten locking nut.
3. Attach cord grip cover using (1) 8-32 x 3/16" set screw.
4. Make wiring connections in junction box according to local codes. Grounding lug and pigtail are preassembled to the ceiling mount plate.
5. Attach plate to junction box using two 8-32 x 7/8" flat head machine screws, included. Add silicone if necessary to seal gasket to ceiling.
6. Note: luminaire ships assembled. To reduce weight of fixture during installation, the luminaire cartridge can be temporarily removed. To remove luminaire cartridge, see Fig. 2. Back out three set screws to loosen dome. Disconnect the wiring harness plug. Set cartridge aside. Do not fully back out set screws from dome.
7. Reattach fixture to dome after mounting is complete. Reattach wiring harness plug. Align set screws with the holes in the cartridge and tighten evenly. Gently lift the dome while threading in the set screws to check for proper engagement of threads.

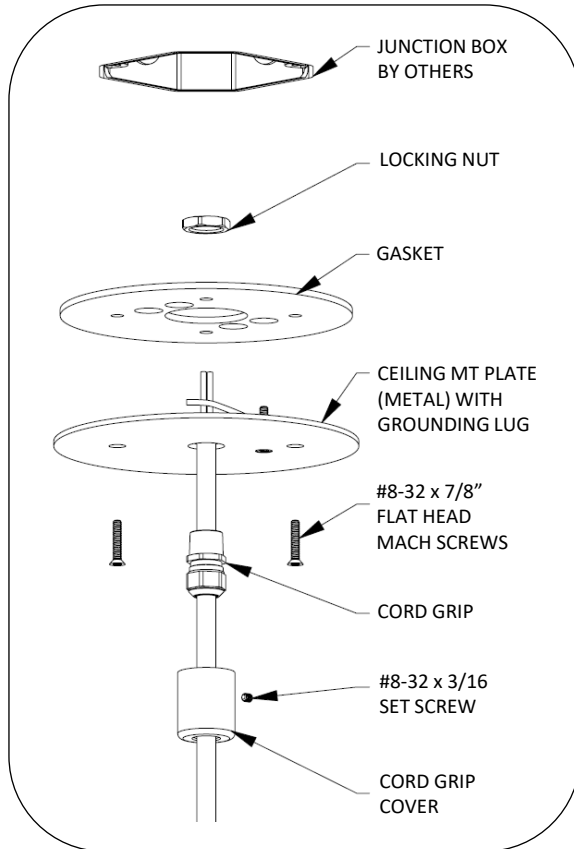


Fig. 1 – secure mt plate and gasket to junction box

PROCEDURE FOR WIRING:

The Motive pendant mount luminaire is assembled at the factory. The light cartridge is mounted into the body of the luminaire and will not need to be removed during installation. The LED cartridge is wired to the driver at the factory. Use of LED drivers other than the supplied unit is not recommended and will void the warranty.

Connection hardware not included.

Installers are responsible for line-in connections.

Optional dimming control is not included.

WARNING!: LED cartridge and driver are not rated for connection or disconnection while energized. Doing so may damage LEDs and will void the warranty. Disconnect incoming power before making or breaking any electrical connections.

Note: This unit is pre-wired.

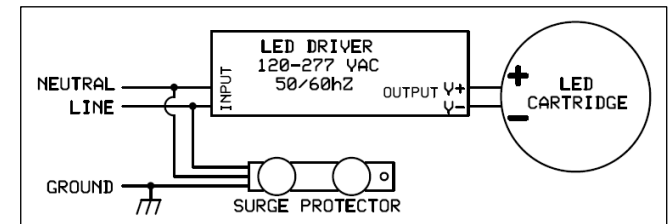


Fig. 3 – wiring diagram

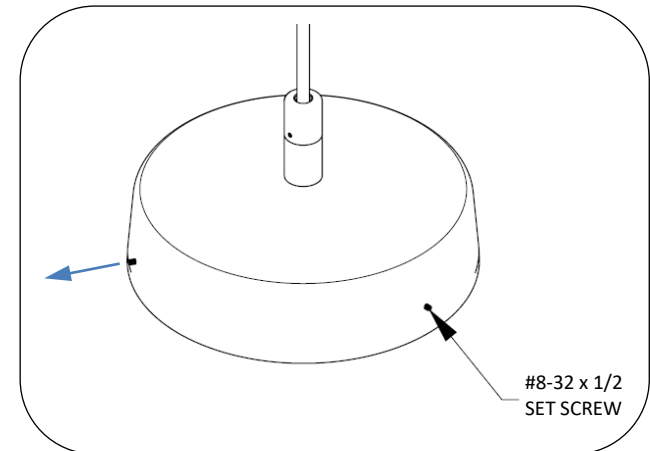


Fig. 2 – back out set screws