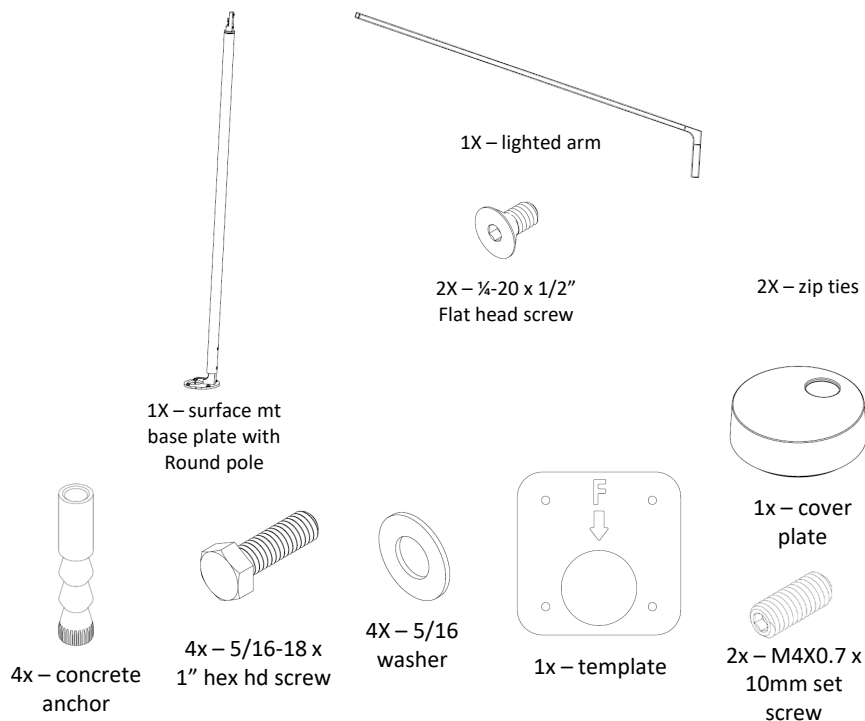


Included components



Tools Required

- hammer drill with 1/2" dia bit
- epoxy anchoring system for concrete
- flat head screwdriver
- hex key, 5/32"
- 1/2" wrench
- Safety glasses
- hex keys: 3/16", 5/32"

**INSTALLATION PROCEDURE FOR SURFACE MOUNT:**

**CAUTION!** Fixtures and wiring must be installed in accordance with local codes and ordinances.

**NOTES:**

- Landscape Forms is not responsible for site preparation, footings, or electrical wiring. Refer to Fig. 1 for spacing from light source to conduit.
1. Set wooden anchor template in position over conduit. The arrow and the 'F' on the template indicates the front of the unit.
  2. Mark anchor hole locations and remove the template.
  3. Drill holes according to anchor size and depth, see Fig. 3. Clear holes of debris.
  4. Attach anchors to base plate template as shown in Fig. 2.
  5. Test fit template assembly with anchors into position before installing epoxy. Make any adjustments as necessary to allow concrete anchors to freely install. Concrete anchor should sit centered in hole and not rest against the side of the drilled hole.
  6. Add epoxy to anchor holes per epoxy manufacturer's recommendations.
  7. Slowly set template assembly with anchors into position. Wipe away any excess epoxy before it cures.
  8. Allow epoxy to fully cure. Remove hex bolts and washers. Remove wooden template.
  9. Set surface mount base plate in position. Install hex bolts and washers as shown in Fig. 3.
  10. Remove round pole. Connect line-in wires to terminal block. Secure wires to post with included zip-ties.
  11. Slide cover plate over driver plate, see Fig. 4. Secure to base plate with (2) M4 set screws.
  12. Make wiring connection from harness in round pole to the connector on the driver plate bracket, see Fig. 5.
  13. Carefully slide round pole over driver plate. Align two holes in back of pole with holes in driver plate bracket. Secure with (2) 5/16-18 x 1-1/4" flat head socket cap screws, see Fig. 6.
  14. Make wiring connection from harness in lighted arm to the connector at the top of the round pole, see Fig. 7.
  15. Carefully slide lighted arm over the bracket at the top of the round pole. Align two holes in back of arm. Secure with (2) 1/4-20 x 1/2" flat head socket cap screws, see Fig. 8.

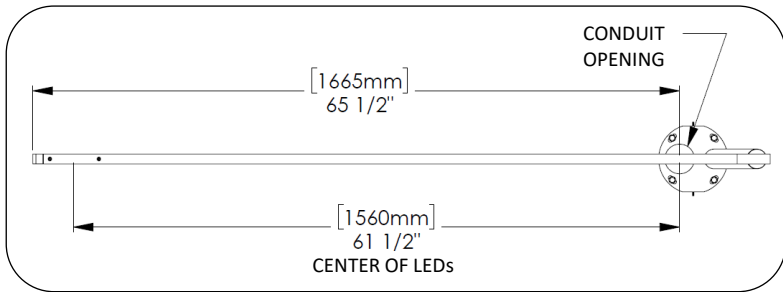


Fig. 1 – spacing from conduit to center of LEDs

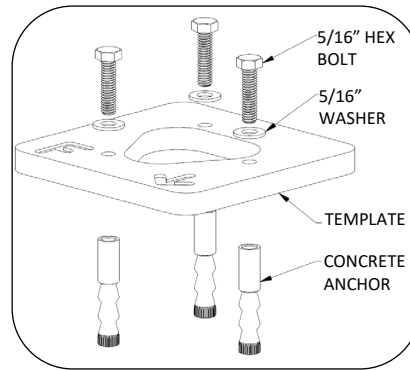


Fig. 2 – Assembly template and anchors

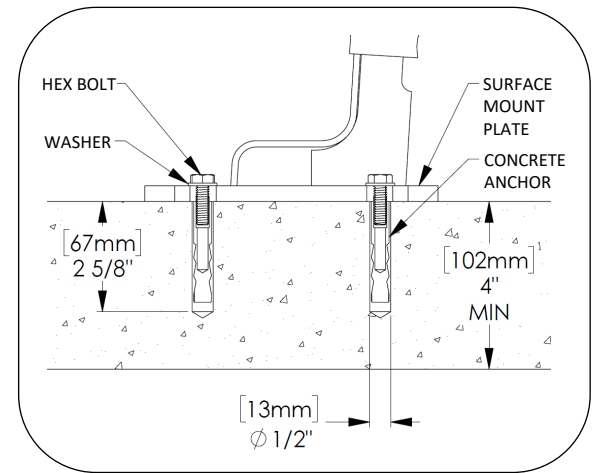


Fig. 3 – install anchors

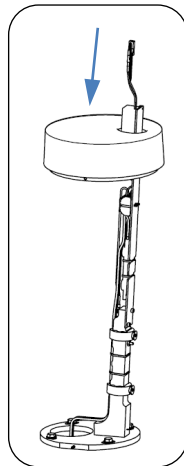


Fig. 4 – Install cover plate

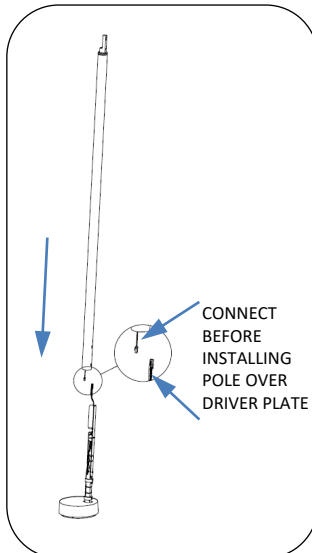


Fig. 5 – Install round pole over driver plate

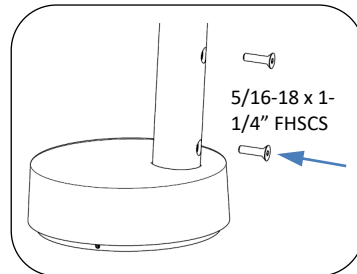


Fig. 6 – Install screws to secure round pole

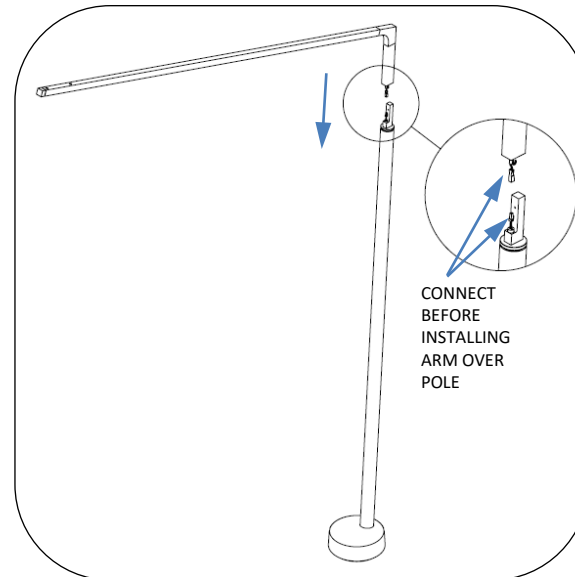


Fig. 7 – install lighted arm

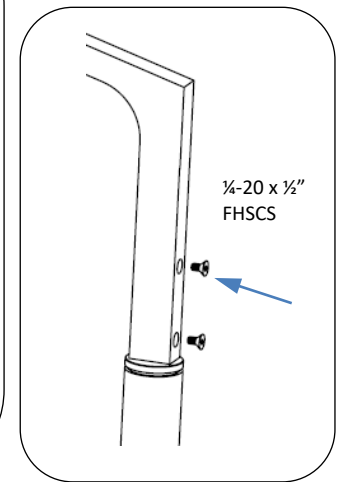


Fig. 8 – Install screws to secure arm

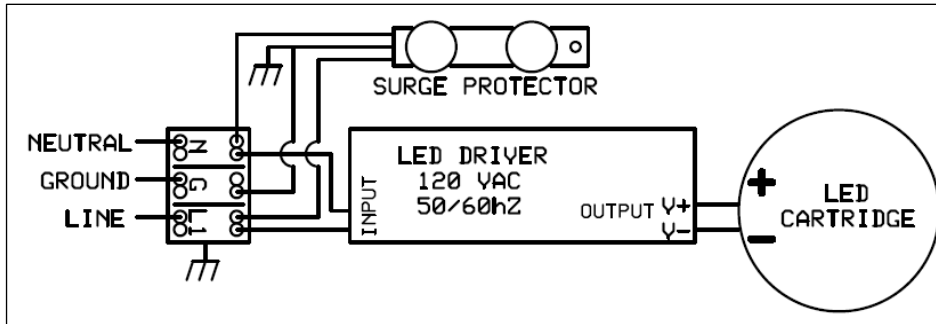
**PROCEDURE FOR WIRING Motive:**

Use of LED drivers other than the supplied unit is not recommended and will void the warranty.

The wiring schematics are to be used to connect the unit to line voltage. It is the responsibility of the installer to make sure that all connections are made in accordance with the NEC and local building codes. Connection hardware not included.

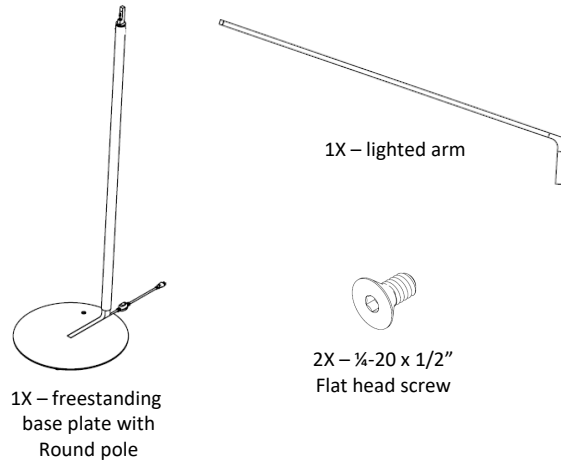
**WARNING!** LED cartridge and driver are not rated for connection or disconnection while energized. Doing so may damage LEDs and will void the warranty. Disconnect incoming power before making or breaking any electrical connections.

Line-in wires should be connected to the terminal block as shown.



WIRING DIAGRAM: floor lamp

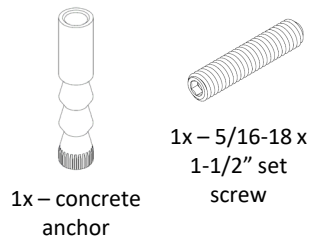
**Included components**



**Tools Required**

- Safety glasses
- hex key: 5/32"

**Surface mount option:**



**Included components**

**Tools Required**

- hammer drill with 1/2" dia bit
- epoxy anchoring system for concrete
- flat head screwdriver
- hex key, 5/32"
- 1/2" wrench

**WARNING!** LED cartridge and driver are not rated for connection or disconnection while energized. Doing so may damage LEDs and will void the warranty. Disconnect incoming power before making or breaking any electrical connections.

**INSTALLATION PROCEDURE FOR ASSEMBLING THE FLOOR LAMP:**

1. Make wiring connection from harness in lighted arm to the connector at the top of the round pole, see Fig. 1.
2. Carefully slide lighted arm over the bracket at the top of the round pole. Align two holes in back of arm. Secure with (2) 1/4-20 x 1/2" flat head socket cap screws, see Fig. 2.
3. Place unit in position and plug in cord. Power on and off by using switch on cord.

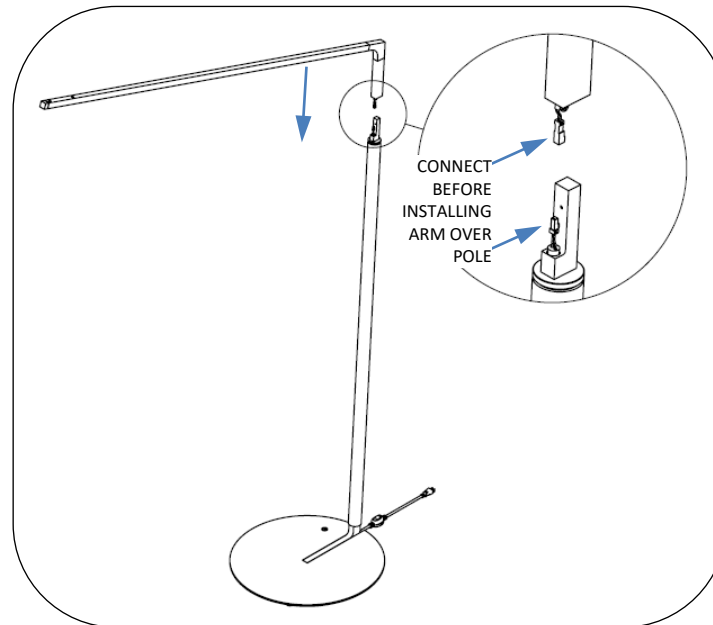


Fig. 1 – install lighted arm

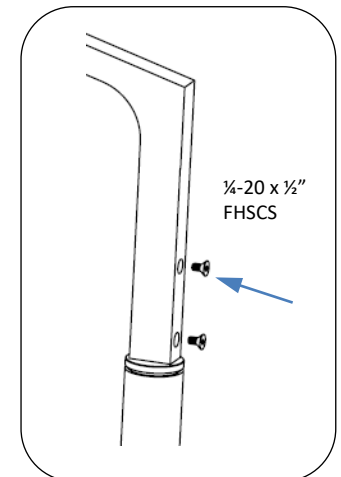


Fig. 2 – Install screws to secure arm

**INSTALLATION PROCEDURE FOR ANCHORING THE FREESTANDING UNIT:**

1. Using flat head screwdriver and ½” wrench, remove plug hardware in anchoring hole, see Fig. 3.
2. Remove set screw from plug.
3. Thread 1-1/2” long set screw from hardware pack into plug, see Fig. 4.
4. Set floor lamp in position.
5. Mark anchor hole location and remove the template.
6. Drill hole according to anchor size and depth, see Fig. 5. Clear hole of debris.
7. Test fit anchor into position before installing epoxy. Make any adjustments as necessary to allow concrete anchor to freely install. Concrete anchor should sit centered in hole and not rest against the side of the drilled hole.
8. Add epoxy to anchor hole per epoxy manufacturer’s recommendations.
9. Slowly set anchor into position. Wipe away any excess epoxy before it cures.
10. Allow epoxy to fully cure.
11. Move floor lamp into position and install plug with set screw into anchor.

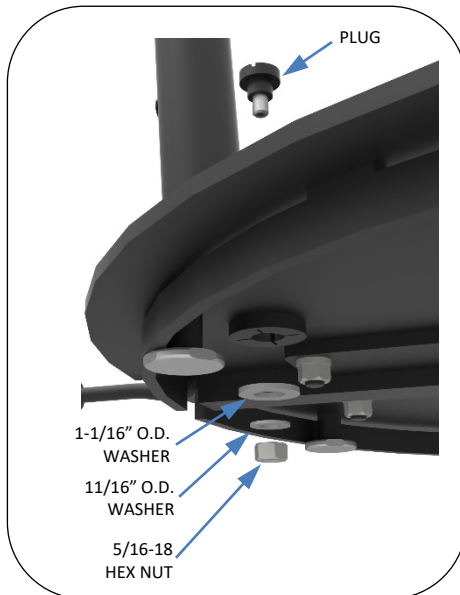


Fig. 3 – Remove plug to anchor freestanding unit

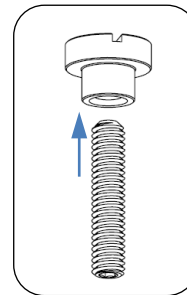


Fig. 4 – thread 1-1/2” set screw into plug

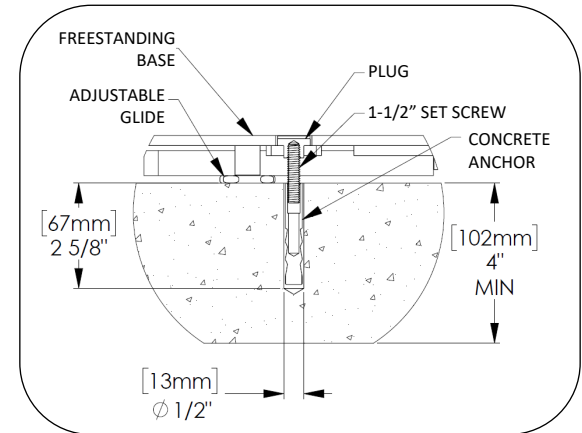


Fig. 5 – Anchor detail