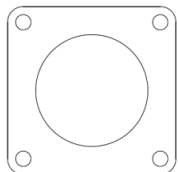


Included components



1x – wooden drill template



4X - anchor bolts,
3/4"-10 x 17" x 3" hook

Note: Hardware is galvanized



8X - heavy hex nuts,
3/4" x 10



8X - flat washers,
.81 ID" x 1.5" OD x
0.13" thick

Tools Required

- Safety glasses
- Wrenches, 1-1/4"
- Level

LIGHTING LAYOUT RECOMMENDATIONS:

Refer to the product data sheet available at www.landscapeforms.com for recommendations for light pole spacing.

Landscape Forms is not responsible for site preparation and footings.

WARNING! Pole mounted luminaires must be attached either before or *immediately* after pole installation. Failure to do so may cause vibration damage to the pole and will void the pole warranty.

Calculations per AASHTO 1994, assuming base of the pole is at grade level, with 110mph fastest mile wind speed with 1.3 gust max.

Pole Size	Base Overturning Moment (ft-lbf)	Base Shear (lbf)	Max EPA (ft ²)
4" dia x .125" wall	1300	200	.69

WARNING!: LED cartridge and driver are not rated for connection or disconnection while energized. Doing so may damage LEDs and will void the warranty. Disconnect incoming power before making or breaking any electrical connections.

INSTALLATION PROCEDURE FOR ANCHOR BOLTS:

1. Prepare footing as required by local codes.
2. Install anchor hooks, hex nuts, washers and wooden template as shown in Fig 2. Level template in all directions. **Note:** template thickness is less than base plate thickness. Dimensions given account for the difference.
3. After footing has properly cured, remove wooden template. Do not remove lower hex nuts or washers.

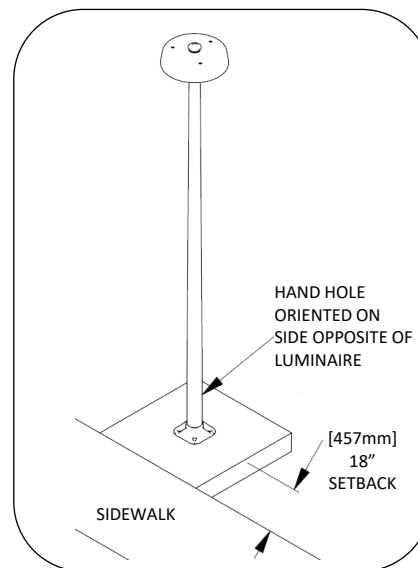


Fig. 1 – Sidewalk setback

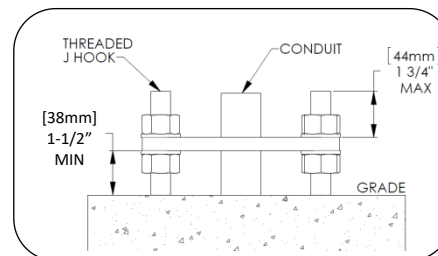


Fig. 2 – Anchor install detail

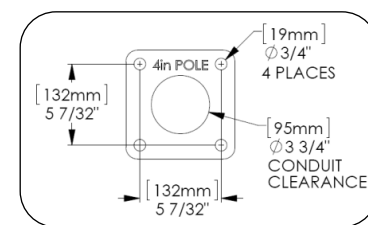
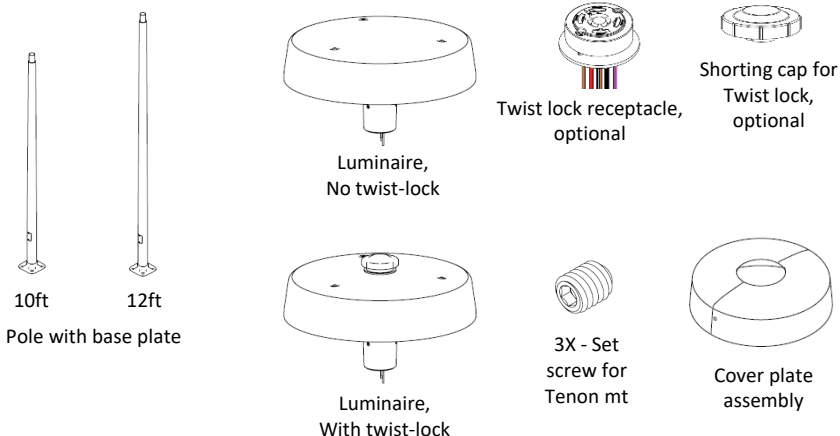


Fig. 3 - 4" diameter pole

Included components



Tools Required

- Safety glasses
- Wrenches, 1-1/4"
- Wiring tools and connectors
- Proper personnel, crane or lift for hoisting unit onto anchors
- Level
- Dimming control, if required
- 5/32", 3/16" Hex keys
- Twist lock photo eye control, if required
- Phillips screwdriver

CAUTION! This unit is heavy. To avoid injury or damage to the finish, we recommend using a crane or lift for hoisting the unit onto the anchors.

WARNING! Pole mounted luminaires must be attached either before or *immediately* after pole installation. Failure to do so may cause vibration damage to the pole and will void the pole warranty.

WARNING! Installer must utilize strain relief to line-in wires where they connect to light fixture wires. Failure to do so may cause electrical failure and will void warranty.

INSTALLATION PROCEDURE FOR LIGHT POLE:

1. Lift the light pole into position over the installed anchors. Ensure that the base plate is resting on all four washers.
2. Install washer, lock washer and hex nut as shown in Fig. 4.
3. Plumb and level the pole and tighten all anchors.
4. Run supply wires to top of pole.
5. Remove dome on luminaire, see Fig. 5. Remove top three screws and washers and set aside. Set dome on non-marring surface.
6. Install luminaire by placing over tenon mount and tightening set screws in luminaire stem, see Fig. 6. Pull supply wires through opening in luminaire.
7. Utilize strain relief for supply wires. Connect to terminal block.
8. Note arrow on cartridge for front of luminaire. Align as necessary for asymmetric distribution.
9. Reattach dome.
10. For units with twist lock receptacle: receptacle ships installed in dome. Make additional wiring connections as required. Leave wires wrapped. Carefully push wires inside cartridge to ensure wires are not pinched when dome is reattached.
11. Cut anchor rods as necessary, after pole is leveled, to allow installation of cover plate.
12. Cover plate ships assembled. Using 3/16" hex key in the access hole, see Fig. 7, partially back out two socket head cap screws until cover plate halves separate. Slide cover plate halves together around pole, ensuring the two clamping screws on each half are below the bottom of the base plate. Retighten both socket head cap screws to secure halves together.

Landscape Forms is not responsible for site preparation and footings.

ASSEMBLE WITH CARE! Pangard II® Polyester Powdercoat is a strong, long-lasting finish. To protect this finish during assembly, place unwrapped powdercoated parts on packaging foam or other non-marring surface. Do not place or slide powdercoated parts on concrete or other hard or textured surface – this will damage the finish causing rust to occur. Use touch-up paint on any gouges in the finish caused by assembly tools.

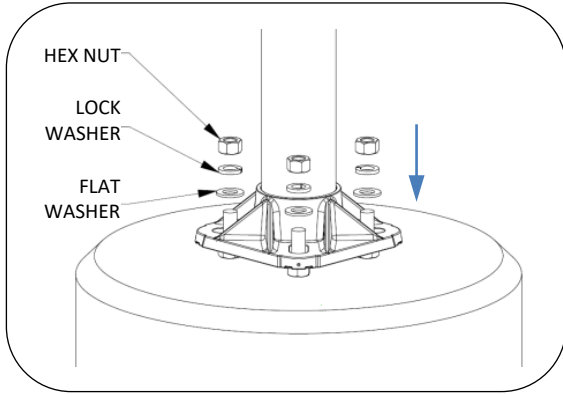


Fig. 4 – Install pole

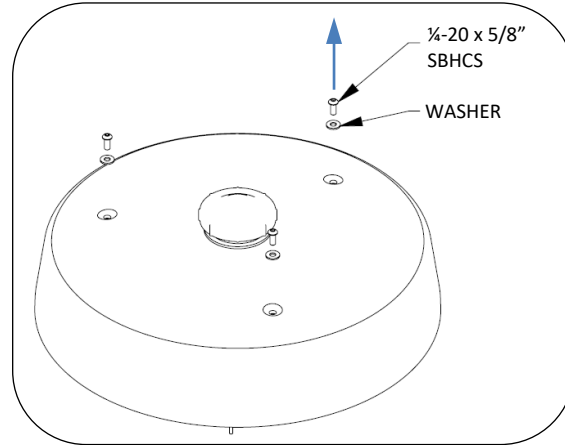


Fig. 5 – remove dome on luminaire

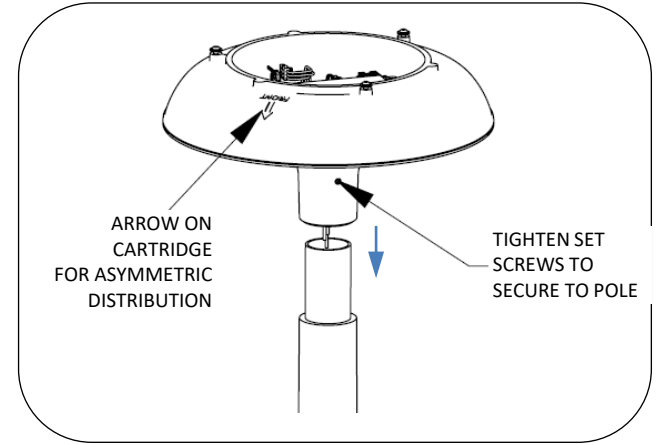


Fig. 6 – Install luminaire on pole

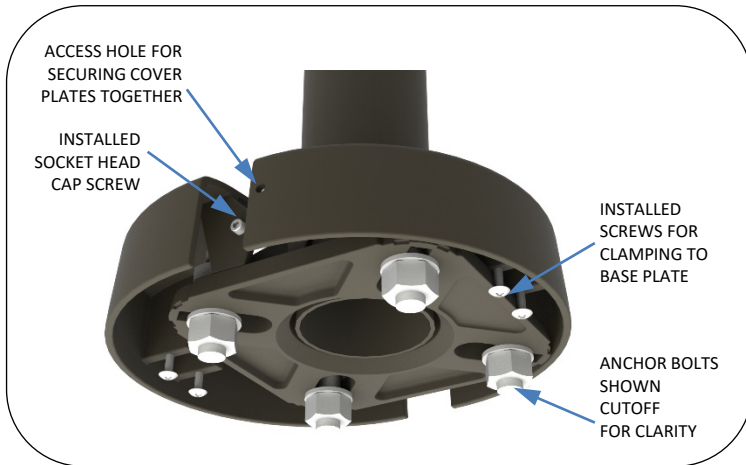


Fig. 7 – Install cover plates

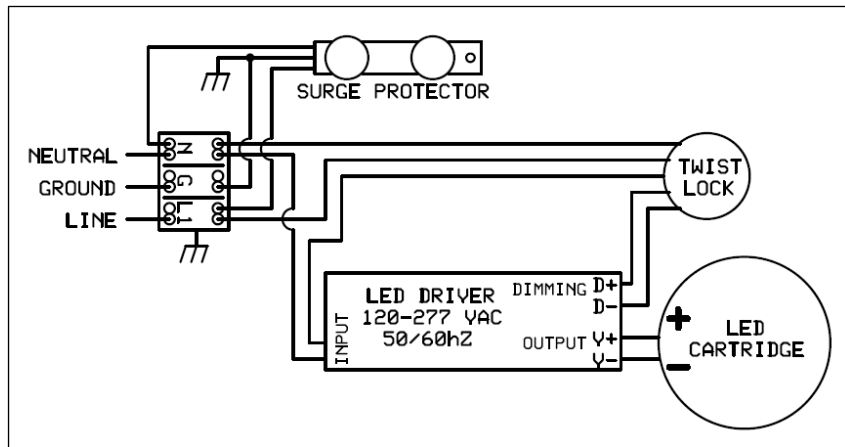
PROCEDURE FOR WIRING Motive:

The Motive luminaire is assembled at the factory. The light cartridge is mounted into the head of the luminaire and will not need to be removed during installation. The LED cartridge is wired to the driver at the factory. Use of LED drivers other than the supplied unit is not recommended and will void the warranty.

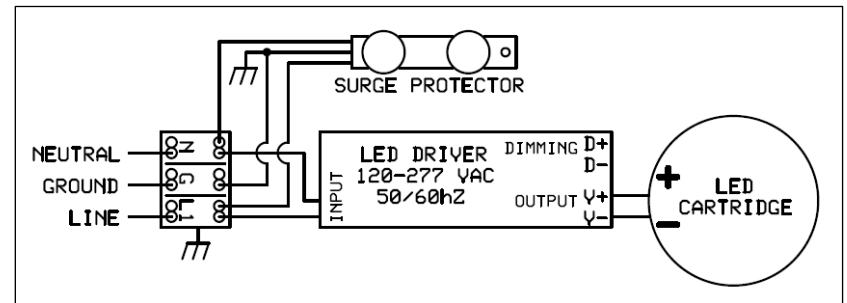
The wiring schematics are to be used to connect the unit to line voltage. It is the responsibility of the installer to make sure that all connections are made in accordance with the NEC and local building codes. Connection hardware not included.

Line-in wires should be connected to the terminal block as shown. Optional dimming control is not included.

WARNING!: LED cartridge and driver are not rated for connection or disconnection while energized. Doing so may damage LEDs and will void the warranty. Disconnect incoming power before making or breaking any electrical connections.



WIRING DIAGRAM: WITH twist-lock receptacle



WIRING DIAGRAM: no twist-lock receptacle