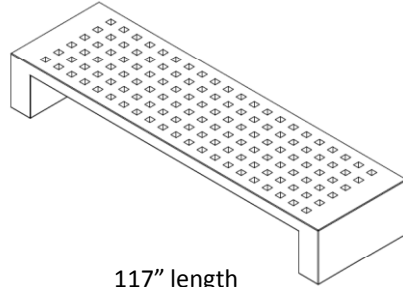


87" length



117" length

INSTALLATION:

1. Determine placement of bench.
2. Set in place with proper equipment such as a crane. See Fig. 1 or Fig 2.

Included components: No assembly required

Tools required:

- Crane or proper equipment to move 1003 lbs. (87" length) or 1790 lbs. (117" length)
- Wood supports or straps

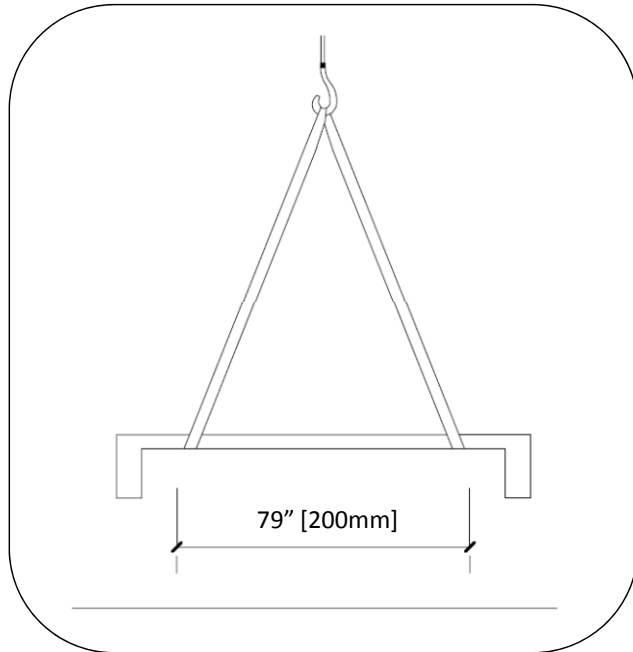


Fig. 1 – Crane install – strap locations

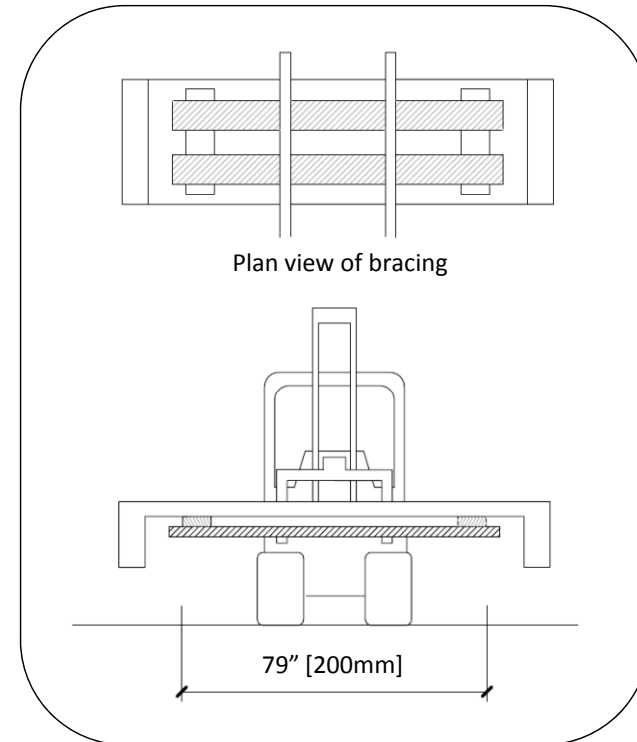


Fig. 2 – Forklift install – bracing locations