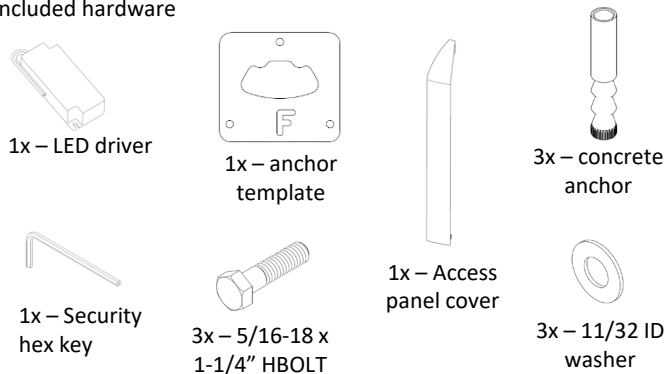


Included hardware



Tools Required

- Safety glasses
- Screwdrivers
- Wiring tools and connectors
- Masonry drill, with $\varnothing 5/8"$ bit
- Compressed air and wire brush
- Epoxy anchoring system for concrete
- Wrench, 1/2"

LIGHTING LAYOUT RECOMMENDATIONS:

Refer to Lo-Glo's product data sheet at www.landscapeforms.com for more information.

ASSEMBLE WITH CARE! Pangard II® Polyester Powdercoat is a strong, long-lasting finish. To protect this finish during assembly, place unwrapped powdercoated parts on packaging foam or other non-marring surface. Do not place or slide powdercoated parts on concrete or other hard or textured surface – this will damage the finish causing rust to occur. Use touch-up paint on any gouges in the finish caused by assembly tools.

Landscape Forms is not responsible for site preparation and footings. Footing recommendations are included in these instructions.

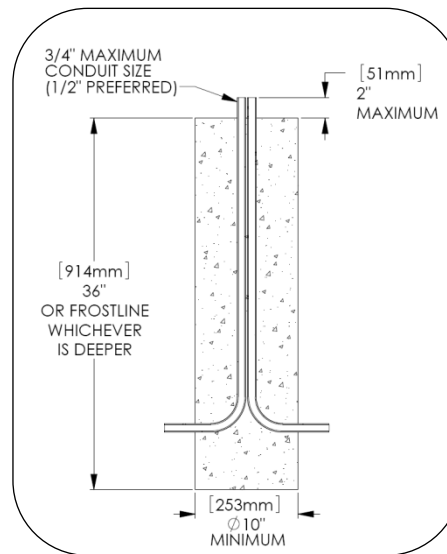


Fig. 1 – Minimum footing recommendation

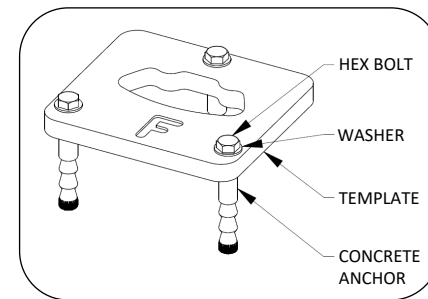


Fig. 3 – Assemble anchor template

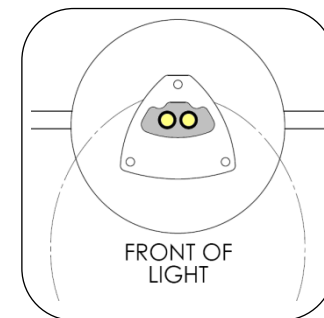


Fig. 4 – Proper orientation of conduit

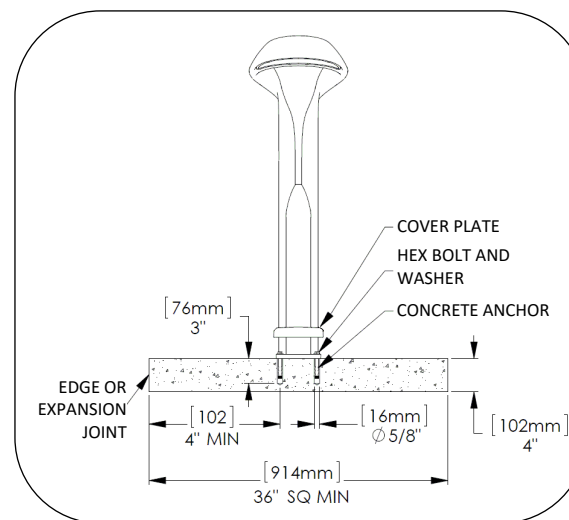


Fig. 2 – Minimum concrete slab size

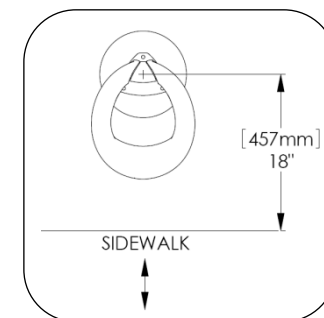


Fig. 5 – Recommended setback from sidewalk

CAUTION! Fixtures and wiring must be installed in accordance with local codes and ordinances.

NOTES:

- Landscape Forms is not responsible for site preparation, footings, or electrical wiring..

INSTALLATION PROCEDURE FOR LIGHT POLE:

1. Prepare footing as required by local codes, see Figs. 1, 2, 4 for recommendations.
2. Set wooden anchor template in position over conduit. 'F' on the template indicates the Front of the unit.
3. Mark three anchor hole locations, move the template.
4. Drill holes according to Fig. 2. Clear holes of debris.
5. Assemble the template, concrete anchor, washer and hex bolt as shown in Fig. 3.
6. Test fit anchors into holes. Make any adjustments to the holes as necessary to allow anchors to freely install. Anchors should sit centered in hole and not rest against the sides or bottom of the drilled holes.
7. Fill holes with epoxy per epoxy manufacturer's recommendations.
8. Slowly set anchor template assembly into the holes. Wipe away any excess adhesive. Allow epoxy to cure.
9. Remove hex bolts and washers. Remove template.
10. Set unit in place, ensuring that base is sitting flat on concrete.
11. Slide cover plate up, if included, and install washers and hex bolts as shown in Fig. 2.

PROCEDURE FOR REMOVING ACCESS PANEL:

1. Remove security screw as shown in Fig. 6. Security hex key is included.
2. Slide access panel cover up 1/2". If necessary, use a flat head screwdriver as shown in Fig. 6 to pry up the panel. Protect the powdercoat finish.

PROCEDURE FOR WIRING LO-GLO:

The Lo-Glo™ path light is assembled at the factory. The light cartridge is mounted into the head of the pole and will not need to be removed during installation. The LED cartridge is wired to the driver (located in the cabinet) at the factory.

The following schematic is to be used to connect the unit to line voltage. It is the responsibility of the installer to make sure that all connections are made in accordance with the NEC and local building codes. Connection hardware not included.

WARNING!: LED cartridge and driver are not rated for connection or disconnection while energized. Doing so may damage LEDs and will void the warranty. Disconnect incoming power before making or breaking any electrical connections.

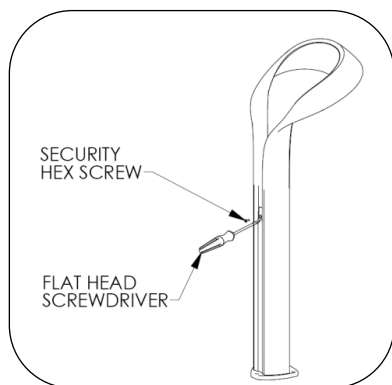


Fig. 6 – Remove access panel

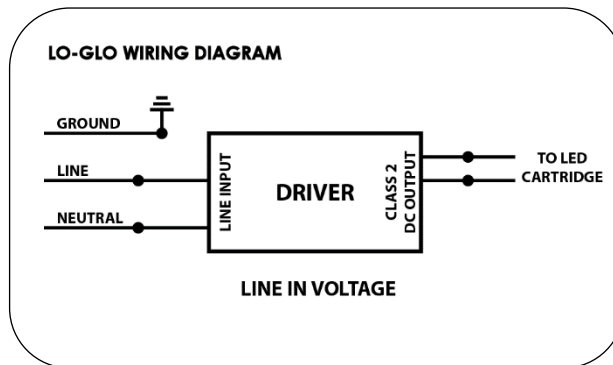


Fig. 7 – Lo-Glo wiring schematic

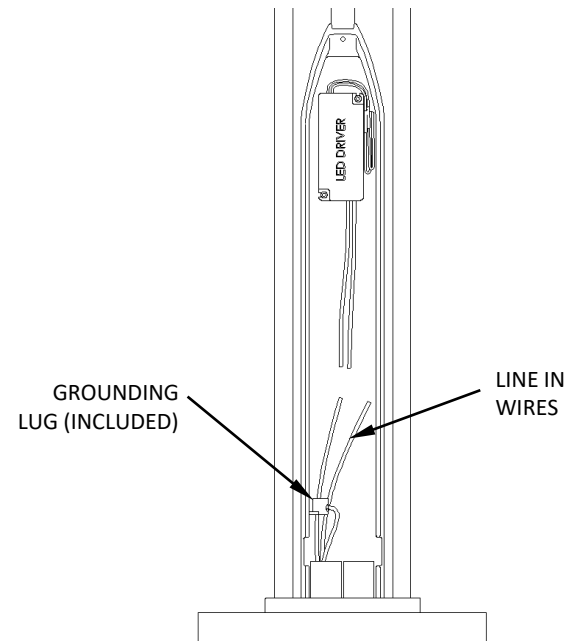


Fig. 8 – Access panel removed