

Included components: Units must be anchored with included hardware.

- (4) M12 expansion bolts per support for anchoring.
- Stainless steel supports: (2) for 79" bench, (3) for 158" bench
- (1) concrete seat

Tools required:

- Crane or proper equipment to move 1102 lbs (79" bench) or 2205 lbs (158" bench)
- Wood supports or straps
- Wrenches, 19mm and 22mm
- Hammer drill with Ø10mm masonry drill bit

INSTALLATION:

Determine placement of unit. Levit is intended to be installed below pavers.

1. Lift unit with proper equipment such as a crane, see Fig. 1. Attach supports with M14 anchors (included)
2. Measure hole locations.
3. Mark hole locations.
4. Drill holes according to Fig. 2. Clear holes of debris.
5. Lower unit over holes.
6. Install M12 expansion anchors. Do not expand anchors prior to installation. Install all anchors before tightening any of them.
7. Finish with specified materials to grade.

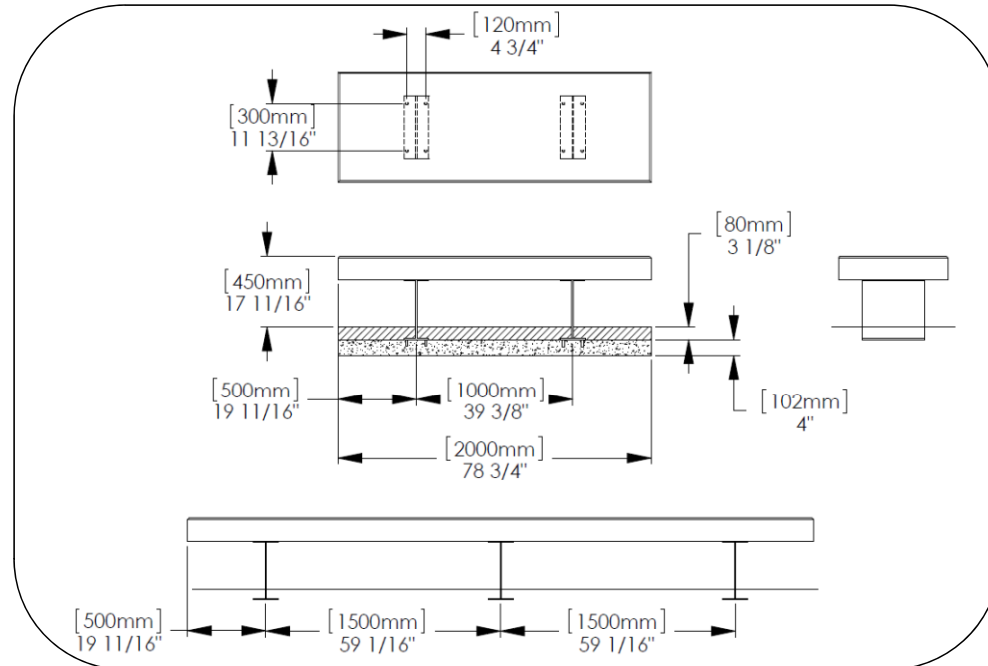


Fig. 2 – concrete footing details

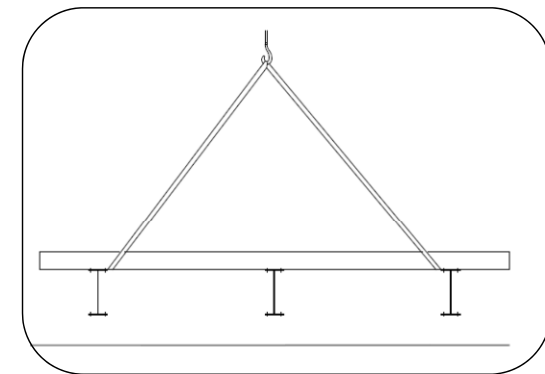


Fig. 1 – Crane install

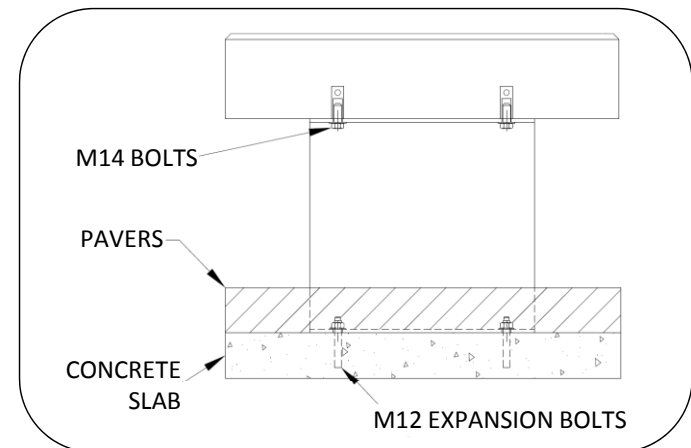


Fig. 3 – Paver detail