

Kaleidoscope OS

landscapeforms®

Product Data Sheet



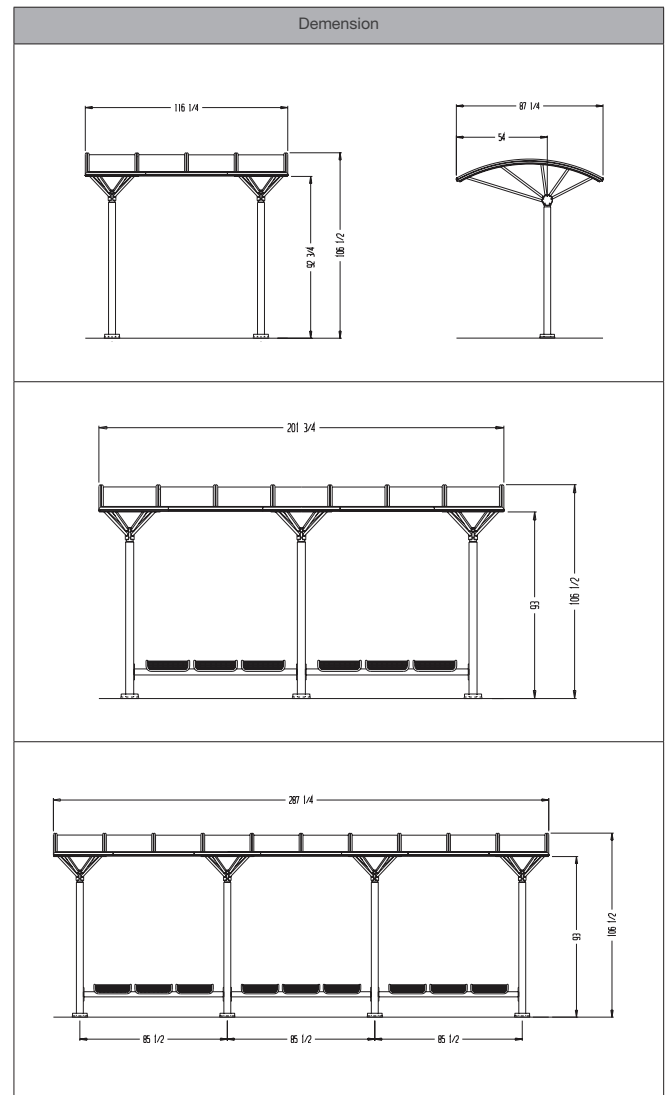
Kaleidoscope OS (Open Structure) creates outdoor structures of exceptional utility, stability and style. A foot lower in height than its predecessor, Kaleidoscope OS has improved pedestrian scale; is open on all sides, withstands wind loads up to 146 mph; and can be mounted below grade or surface mounted for ease of installation and retrofit. Optional solar-powered LED lighting turns on at dusk, off at dawn.

Kaleidoscope

- Kaleidoscope standard elements have been engineered to meet building codes across the U.S. Stringent load tests were performed by Landscape Forms.
- Based on this data, structural engineers calculated snow and wind load ratings for all standard elements. Kaleidoscope meets:
 - Wind load of 146 mph, exposure C (IBC)
 - Snow load of 40 lbs. per square foot @ 90 mph, exposure B

Low Voltage Lighting

- Low voltage lighting (12 volts) is available.
- Lighting package consists of light housing and transformer and may be ordered through Landscape Forms.
- Accepts low voltage MR16 lamp.
- Bulb and wiring are not included. Standard light housing is a bronze color.
- Additional colors available for an upcharge.
- All lighting components are UL listed.
- Landscape Forms recommends a licensed contractor install lighting.
- Landscape Forms is not responsible for verifying that lighting meets local codes.



Kaleidoscope OS

landscapeforms®

Product Data Sheet

Footings

- Kaleidoscope can be ordered for surface mounting at grade with cover plates or below grade mounting.
- Anchor bolts with nuts are used to level canopy posts for both mounting styles (not included).
- Ground and footing preparation is necessary.
- Kaleidoscope posts must be mounted on concrete footings.
- Caisson, spread, and pad style footings are all possible and custom designed for different building code conditions.

Fit and Finish

- Kaleidoscope is precisely engineered to look and wear beautifully in the public eye.
- Our exclusive, proven Pangard II® powdercoat process protects each unit with a hard yet flexible skin that resists rusting, chipping, peeling and fading.

Seating

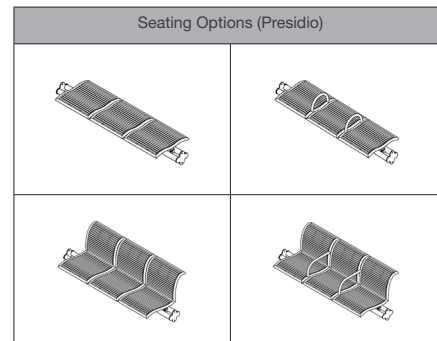
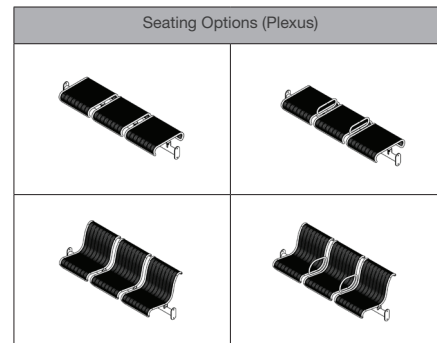
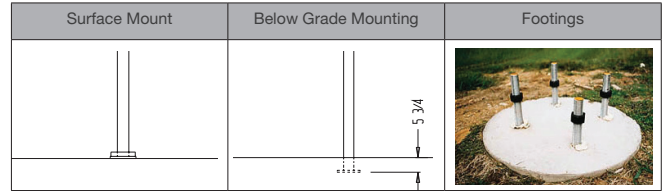
- Integrated seating is available.
- Specify Plexus or Presidio bench, backed or backless, with or without intermediate arms. Please note, only the straight three-unit Plexus and Presidio bench configurations are available with Kaleidoscope.

To Specify

- Shelter
 - Specify two, three, or four posts to create one, two or three bays.
 - Specify surface mount or below grade mounting.
- Seating (Optional)
 - Specify Plexus or Presidio bench, backed or backless, and with or without intermediate arms.
 - Specify number of benches and in which bays the benches should be placed.
- Lighting (Optional)
 - Specify hard-wired lighting or solar lighting. Please note, solar lighting only available for 3 post units.

Designed by Robert Chipman, ASLA; Brian Kane, IDSA; and Arno Yurk, AIA, IDSA

Kaleidoscope design is protected by U.S. Patent Nos. D432.665; D420.812; D421.132; D429.000; D412.993; D413.314.



Visit our landscapeforms.com for more information. Specifications are subject to change without notice. Landscape Forms supports the Landscape Architecture Foundation at the Second Century level.
©2019 Landscape Forms, Inc. Printed in U.S.A.