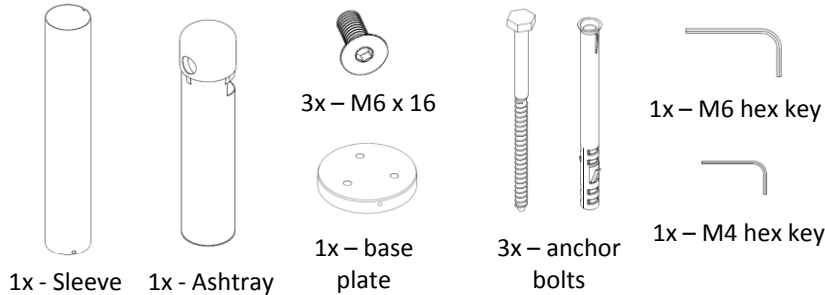




Ash Urn

Included components:



Tools required:

- 13mm socket or wrench for anchoring hardware
- Hammer
- Hammer drill with 3/8" dia. masonry bit

INSTALLATION:

1. Set unit in place. Allow for clearance for removal of ashtray, see Fig. 1.
2. Remove base plate from unit, Fig. 2. Retain screws.
3. Remove plastic sleeves and anchors from base plate.
4. Set base plate in position, see Fig. 4, and mark hole locations. Move base plate.
5. Drill 3/8" diameter holes minimum 4-1/4" deep.
6. Install base plate with beveled edge facing up, plastic sleeves and cap screws as shown in Fig. 4.
7. Install unit over base plate with (3) M6x16mm hex head screws, Fig. 5.

TO REMOVE ASH TRAY:

1. Tighten M8 hex head screw on back of unit, see Fig. 6. Screw will remain in ash tray component.
2. Lift ash tray unit out of base unit and empty contents.
3. Replace ash tray unit, aligning notches as shown in Fig. 7.
4. Loosen M8 screw until it engages the base unit.

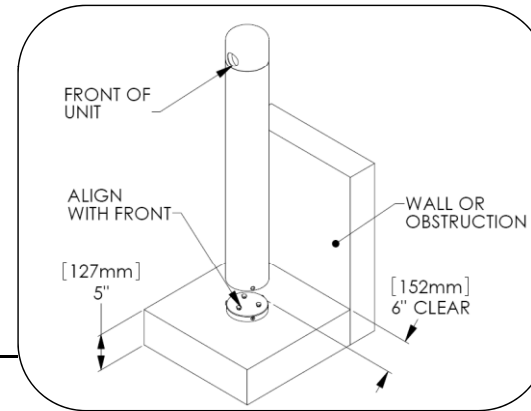


Fig. 1 – Unit placement

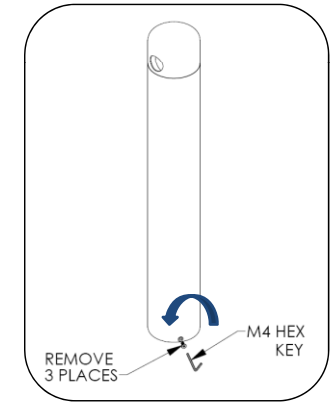


Fig. 2 – Remove base plate

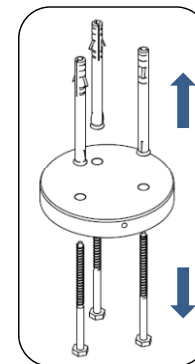


Fig. 3 – Remove anchors

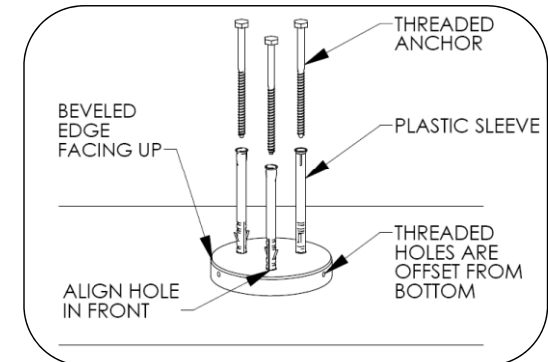


Fig. 4 – Install base plate

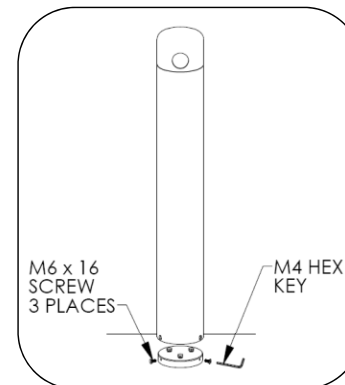


Fig. 5 – Install unit

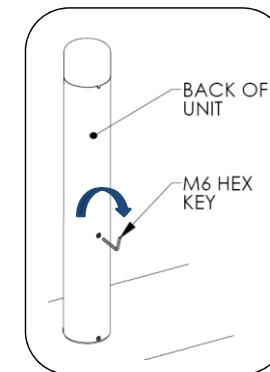


Fig. 6 – Remove ash tray

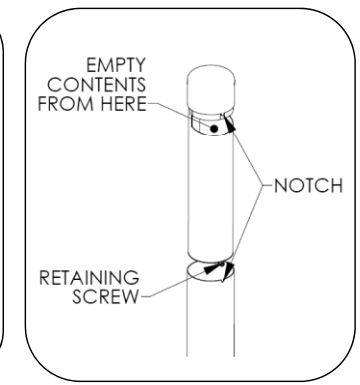


Fig. 7 – Empty contents