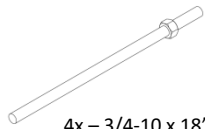


12ft

14ft

Included hardware



4x – 3/4-10 x 18" Threaded rod with staked hex nut

4x – 3/4" Lock Washer

8x – 3/4-10 Hex Nut

8x – 3/4" Washer



Twist lock receptacle, optional



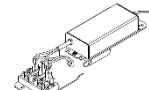
1x – Security hex key



1x – cover plate



1x – Optional Twist Lock cap



1x – LED driver Dimmable



1x – drill template



1x – Access panel cover

Tools Required

- Safety glasses
- Wrench, 1-1/8" size
- Screwdrivers
- 3/16" hex key
- Wiring tools and connectors
- Photo-eye (if specified with twist-lock receptacle)
- Proper personnel, crane or lift for hoisting unit onto anchors

ASSEMBLE WITH CARE! Pangard II® Polyester Powdercoat is a strong, long-lasting finish. To protect this finish during assembly, place unwrapped powdercoated parts on packaging foam or other non-marring surface. Do not place or slide powdercoated parts on concrete or other hard or textured surface – this will damage the finish causing corrosion to occur. Use touch-up paint on any gouges in the finish caused by assembly tools.

LIGHTING LAYOUT RECOMMENDATIONS:

Refer to the product data sheet available at www.landscapeforms.com for recommendations for light pole spacing.

Landscape Forms is not responsible for site preparation and footings. The following chart gives necessary information for calculating proper footing size, depending on the specified light pole.

WARNING!: LED cartridge and driver are not rated for connection or disconnection while energized. Doing so may damage LEDs and will void the warranty. Disconnect incoming power before making or breaking any electrical connections.

90mph wind speed

Pole Size	Base Overturning Moment (ft-lbf)	Base Shear (lbf)
12'	1950	310
14'	2575	360

140mph wind speed

Pole Size	Base Overturning Moment (ft-lbf)	Base Shear (lbf)
12'	4700	750
14'	6230	860

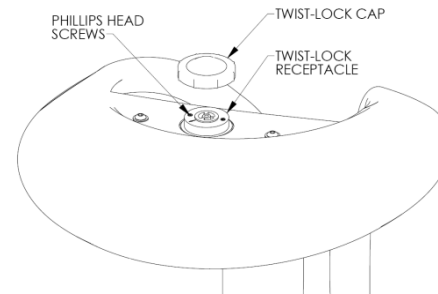


Fig. 1

PHOTOELECTRIC SWITCH:

Refer to Fig. 13 for wiring details. A button style photoelectric switch is also approved for use in this fixture.

INSTALLATION PROCEDURE FOR OPTIONAL PHOTO EYE:

1. Remove the twist lock cap from the top of the light.
 2. Install the photo eye (not supplied with unit) rated for proper line voltage (277v, 1.5A).
 3. Loosen the two phillips head screws two turns.
- IMPORTANT! Do not remove the screws.** Loosen just enough to rotate the receptacle.
4. Rotate the receptacle until the arrow points north. Tighten the screws.

INSTALLATION PROCEDURE FOR LIGHT POLE:

1. Prepare footing as required by local codes.
2. Install staked anchor bolts, hex nuts, washers and wooden template as shown in Fig 3.
3. After footing has properly cured, remove wooden template. Do not remove lower hex nuts or washers.
4. Lift the pole into position over the installed anchor bolts as shown in Fig. 4. Ensure that the base plate is resting on all four washers.
5. Install washer, lock washer and hex nut as shown in Fig. 5.
6. Level the pole and tighten all anchors.

INSTALLATION PROCEDURE FOR COVER PLATE:

1. Loosen button head cap screws until cover plate halves disengage as shown in Fig. 6.
2. Set back half of the cover plate on grade and slide over light pole base plate. Elevator bolt head needs to be below base plate.
3. Set front half of cover plate on grade and slide over base plate.
4. Tighten button head cap screws through the side access holes in the back cover plate as shown in Fig. 7.

PROCEDURE FOR REMOVING ACCESS PANEL:

1. Remove security screw as shown in Fig. 8. Security hex key is included.
2. Slide access panel cover up 1/2". If necessary, use a flat head screwdriver as shown in Fig. 10 to pry up the panel. Protect the powder coat finish.

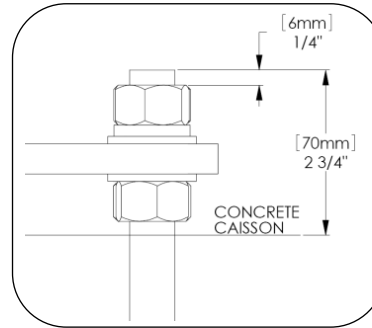


Fig. 4 – Proper installed anchor height

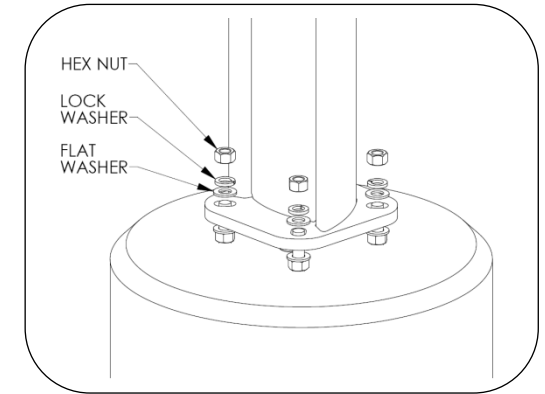


Fig.5 – Install pole and anchors

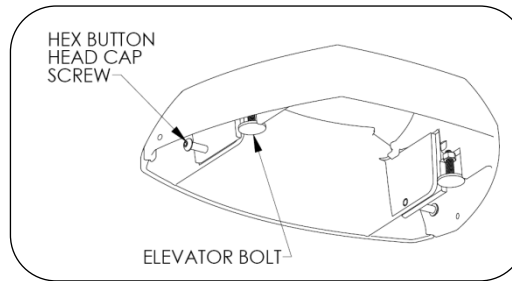


Fig.6 – Cover plate

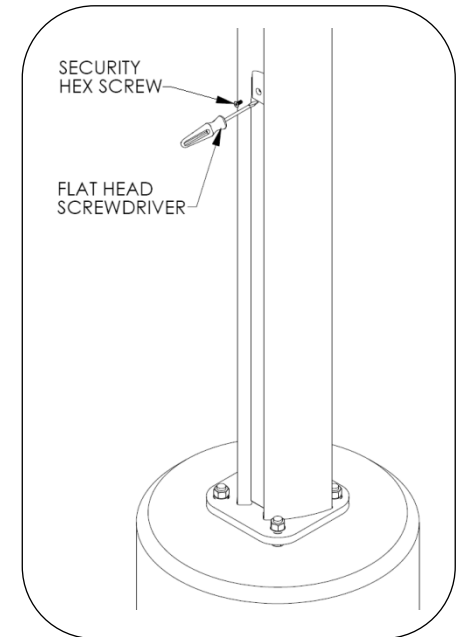


Fig.8– Remove access panel

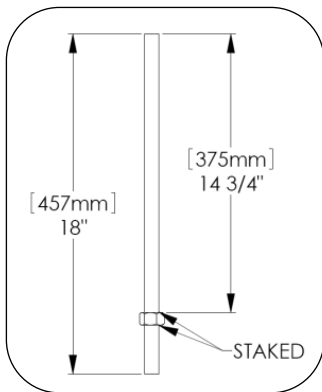


Fig. 2 - Anchor rod detail

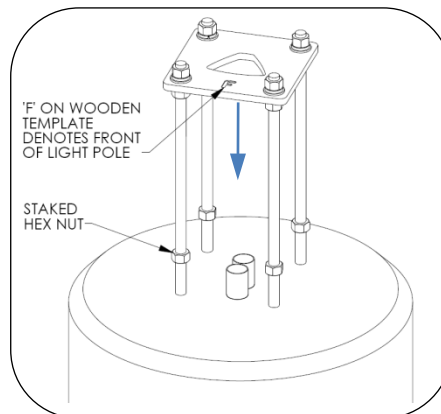


Fig. 3 – Install anchors

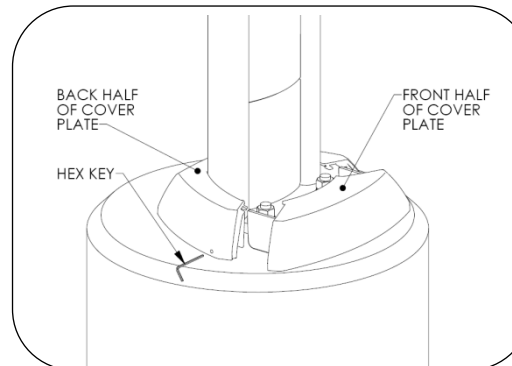


Fig.7 – Install cover plate

PROCEDURE FOR WIRING HI-GLO:

The HI GLO™ Area Light is assembled at the factory. The light cartridge is mounted into the head of the pole and will not need to be removed during installation. The LED cartridge is wired to the driver (located in the cabinet at the bottom of the pole) at the factory.

The following schematics are to be used to connect the unit to line voltage. It is the responsibility of the installer to make sure that all connections are made in accordance with the NEC and local building codes. Connection hardware not included.

Line-in wires should be connected to the terminal block as shown. Optional dimming control is not included.

WARNING! LED cartridge and driver are not rated for connection or disconnection while energized. Doing so may damage LEDs and will void the warranty. Disconnect incoming power before making or breaking any electrical connections.

Class 2 Dimming control:

The Class 2 dimming control should be installed in accordance with the NEC and local building codes specifically pertaining to the routing of the Class 2 control wires in proximity to line voltage.

Use of a dimming control is preferred when possible to simplify installation.

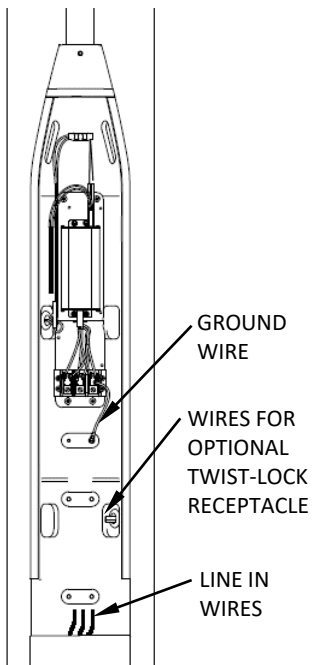


Fig.11 – Access panel removed

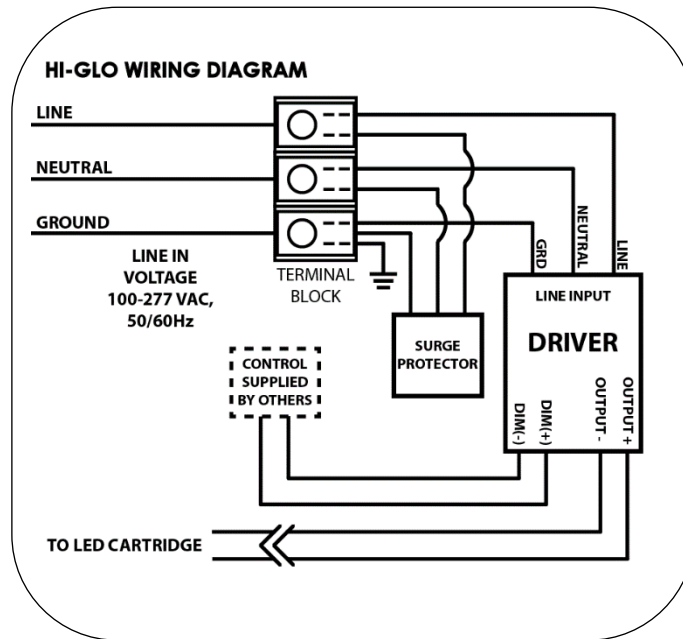


Fig.12– Unit without Twist-Lock receptacle

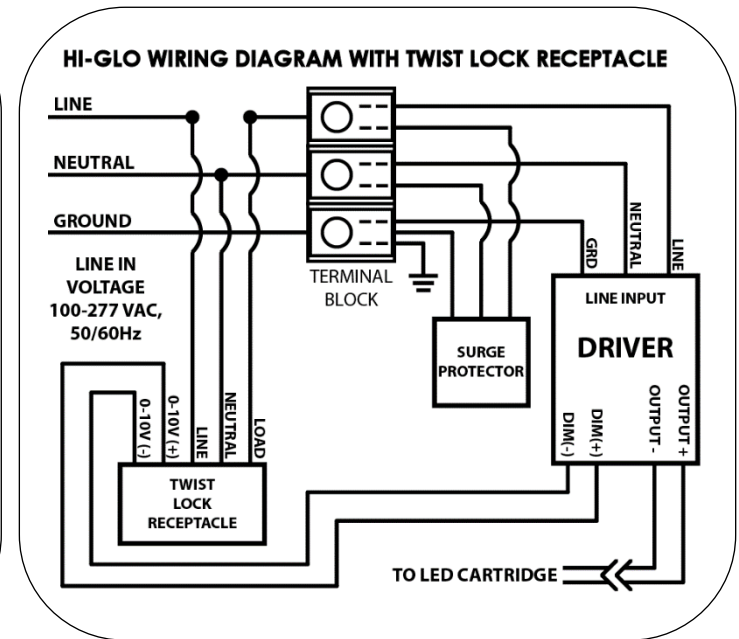


Fig.13– Unit with Twist-Lock receptacle