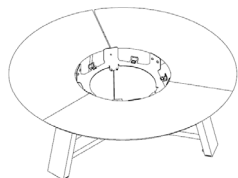


Included components:



62in round casual ht  
Surface mount table  
For firepit insert



3/4" key valve  
with 3" key



24in dia burner pan,  
Fully assembled



Burner assembly,  
Installed in  
burner pan



Optional electronic ignition  
Attached to burner pan

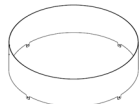


Rolled  
lava rock

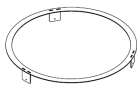
Burner assembly components ship separately



Cover - 1x



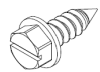
Windshield - 1x



Trim ring - 1x



#10 x 3/4" hex  
flange hd tapping  
screw - 4x



#12 x 5/8" hex  
flange hd tapping  
screw - 3x

Tools required for assembly

- Safety glasses
- 5/32" hex key to remove metal covers
- 5/16" socket drive to install windshield and attach trim ring
- Anchors for table - (3) Ø3/8" maximum. Anchor tabs are 3/8" thick.
- Flex Line and fittings for 3/4" key valve
- Gas supply – not intended for use with portable propane tanks
- 120v power supply, if ordered with electronic ignition option

Refer to [Warming Trends product operation manual](#) for location considerations and fire feature clearance requirements. Warming Trends instructions take precedence over Landscape Forms instructions, if discrepancies occur.

Read all instructions from Landscape Forms and Warming Trends before beginning installation.

Warming Trends part numbers:

Match Lit, Propane CFB120LP (limited to 65K)	Match Lit, Natural Gas CFP120NG (limited to 65K)	Electronic Ignition, Propane CFB120LP Platinum Ignition, 103064	Electronic Ignition, Natural Gas CFP120NG Platinum Ignition, 103063
---	---	--	--

**DANGER! FIRE OR EXPLOSION HAZARD.**

If you smell gas:

- Shut off gas to the appliance
- Extinguish any open flame
- If odor continues, leave the area immediately
- After leaving the area, call your gas supplier or fire department
- Failure to follow these instructions could result in fire or explosion, which could cause property damage, personal injury or death

**WARNING!** Do not store or use gasoline or other flammable vapors and liquids in the vicinity of this appliance.

**WARNING! FOR OUTDOOR USE ONLY.** Installation and service must be performed by a qualified installer, service agency or the gas supplier. This appliance can produce carbon monoxide which has no odor. Do not use this firepit in an enclosed space.

**WARNING!** If the installation information provided by Warming Trends is not followed exactly, a fire or explosion may result, causing property damage, personal injury or loss of life.

**CODE REQUIREMENTS:** It is the responsibility of the installer to consult with the local municipality and to FOLLOW ALL LOCAL CODES concerning the installation and operation of the fire feature. For systems with the optional Platinum electronic ignition, the appliance when installed, must be electrically grounded in accordance with local codes, or in the absence of local codes, with the National Electrical Code, ANSI/NFPA 70; or the Canadian Electrical Code, CS C22.1, if applicable.

The installer is responsible for using the correct fuel lines and/or regulation to provide gas to the fire feature within the specified minimum and maximum gas inlet pressures below:

**MINIMUM AND MAXIMUM GAS INLET PRESSURES**

The installer is responsible for using the correct fuel lines and/or regulation to provide gas to the fire feature within the specified minimum and maximum gas inlet pressures below:

MATCH LIT	MINIMUM GAS INLET PRESSURE	MAXIMUM GAS INLET PRESSURE
Natural Gas	3.5" W.C. (.8718 Kpa)	7.0" W.C. (1.7436 Kpa)
Liquid Propane	11.0" W.C. (2.7399 Kpa)	13.0" W.C. (3.2381 Kpa)
PLATINUM / PREMIUM - P24VIKSC, P24VIKHC	MINIMUM GAS INLET PRESSURE	MAXIMUM GAS INLET PRESSURE
Natural Gas	3.5" W.C. (.8718 Kpa)	14.0" W.C. (3.4872 Kpa)
Liquid Propane	8.0" W.C. (1.9927 Kpa)	14.0" W.C. (3.4872 Kpa)

PROCEDURE FOR ASSEMBLY:

**Note:** Gas supply lines are the responsibility of the installer. Verify that the burner is supplied with the correct fittings for the specified gas type before beginning installation.

**Note:** Table must be anchored.

1. Remove 2 of the metal covers, see Fig. 1. Cover with access hole for valve key can remain installed.
2. Set table in position. Rotate table as needed to allow for proper installation of gas supply components.
3. Anchor table – refer to [Harvest Table installation guide](#) for more information. Mark hole locations, move unit, drill holes according to anchor manufacturer's recommendations, clear holes of debris, set unit back in position and install anchors.
4. Attach windshield to burner pan using (4) #10 x 3/4" flange head self tapping screws, see Fig. 2.
5. Set key valve in position on cover plate, see Fig. 3.
6. Remove adhesive backing on VHB tape located on burner support pan, see Fig. 3.
7. Set pan with burner assembly into position in table.
8. Install trim ring using (3) #12 x 5/8" flange head self tapping screws, see Fig. 4A and Fig 4b.
9. Make gas line connections. Refer to [Warming Trends Owner's Guide and Instruction Manual](#) for complete instructions. Refer to [Platinum Ignition User Guide](#) for complete instructions for the optional electronic ignition unit. The burners are fully assembled and attached to the burner pan at the factory for both ignition options. The Platinum electronic ignition option will include all components pre-assembled to the burner pan.
10. After gas connections are complete and unit has been tested for operation, side covers may be reattached.
11. Polyethylene cover for burner pan is included. Unit must be covered when not in use. Cover should be installed after unit has cooled to prevent damage to the cover.

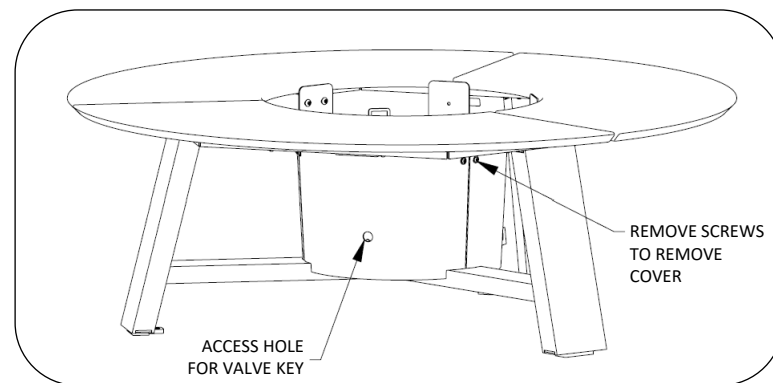


Fig. 1 – remove covers

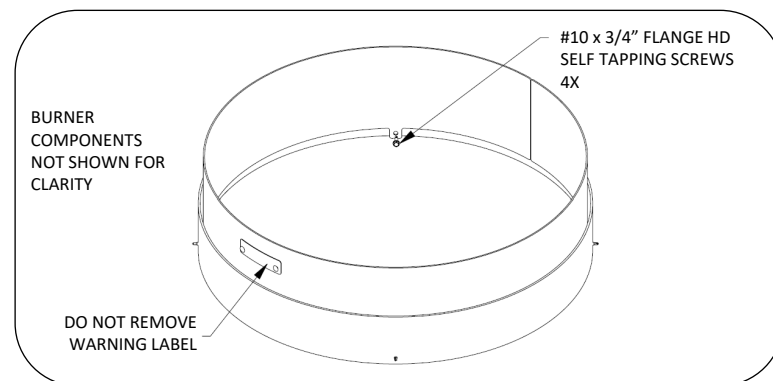


Fig. 2 – install windshield

**ASSEMBLE WITH CARE!** Pangard II® Polyester Powdercoat is a strong, long-lasting finish. To protect this finish during assembly, place unwrapped powdercoated parts on packaging foam or other non-marring surface. Do not place or slide powdercoated parts on concrete or other hard or textured surface – this will damage the finish causing rust to occur. Use touch-up paint on any gouges in the finish caused by assembly tools.

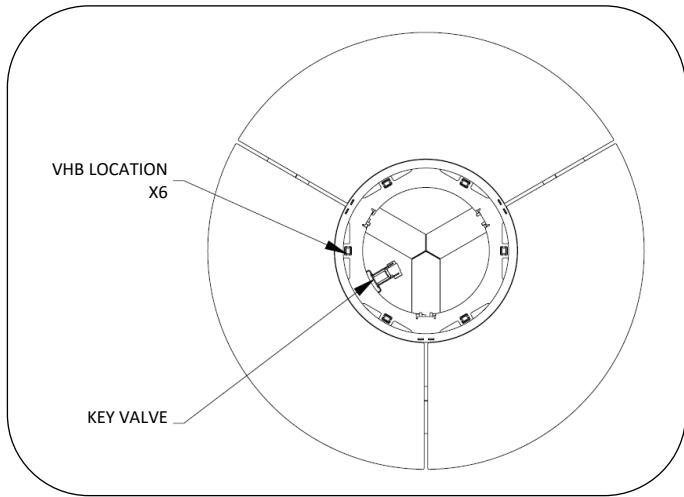


Fig. 3 – key valve and VHB locations

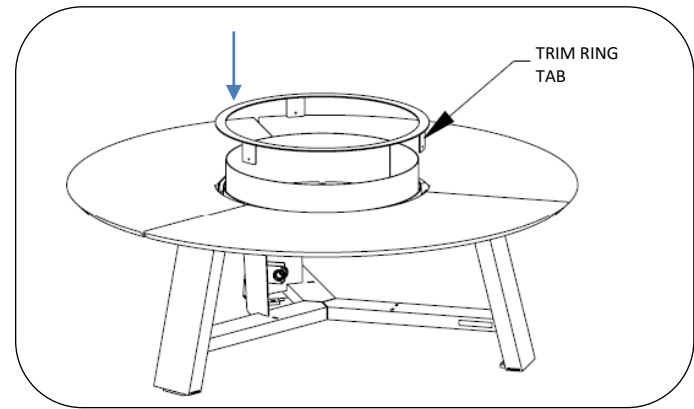


Fig. 4A – install trim ring

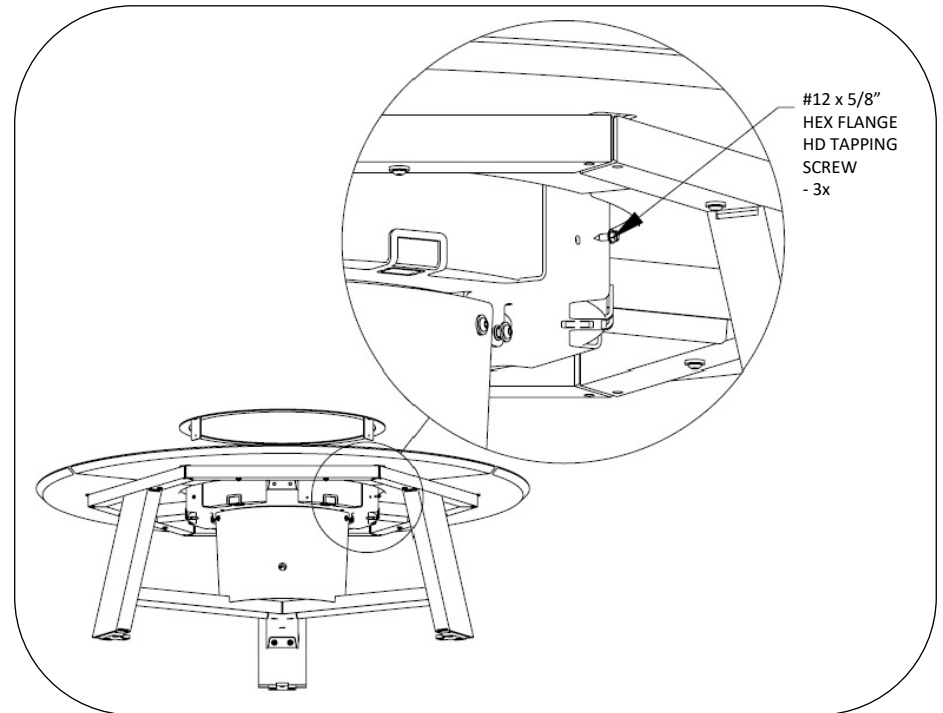


Fig. 4B – install trim ring screws