69in (1.75m)
table118in (3m)
table

Tools required:

• Surface mount option:

- (4) non-corrosive anchors, maximum $\varnothing 3/8''$ diameter, not included, for 69in table
- (6) non-corrosive anchors, maximum $\varnothing 3/8''$ diameter, not included, for 118in table

ASSEMBLE WITH CARE! Powdercoat is a strong, long-lasting finish. To protect this finish during assembly, place unwrapped powdercoated parts on packaging foam or other non-marring surface. Do not place or slide powdercoated parts on concrete or other hard or textured surface – this will damage the finish causing rust to occur. Use touch-up paint on any gouges in the finish caused by assembly tools.

INSTALLATION:

Note: Table ships fully assembled.

SURFACE MOUNT INSTALLATION:

1. Set unit in position.
2. Mark hole locations (choose one hole per support foot).
3. Move unit to allow access for drilling holes.
4. Drill holes according to anchor manufacturer's recommendations and clear holes of debris. Refer to Fig. 1 and Fig. 2 for anchor sizing guidelines.
5. Set unit back in position and install anchors.

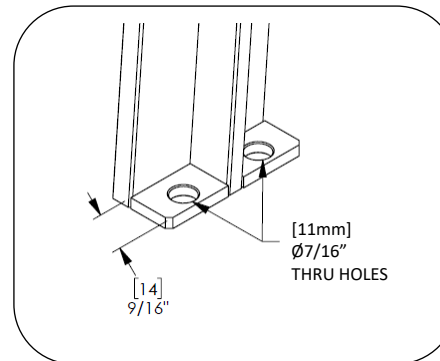


Fig. 1 – Surface mount tab detail

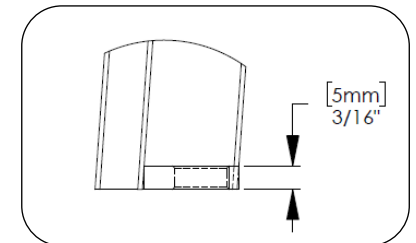


Fig. 2 – surface mount tab thickness