



Chaise Lounge, single



Chaise Lounge, double

Tools required:

- Surface mount option: (4) non-corrosive anchors, maximum $\varnothing 3/8"$ diameter, not included

ASSEMBLE WITH CARE! Powdercoat is a strong, long-lasting finish. To protect this finish during assembly, place unwrapped powdercoated parts on packaging foam or other non-marring surface. Do not place or slide powdercoated parts on concrete or other hard or textured surface – this will damage the finish causing rust to occur. Use touch-up paint on any gouges in the finish caused by assembly tools.

INSTALLATION:

Note: Chaise lounge ships fully assembled with nylon glides installed. Freestanding unit may be set in position.

SURFACE MOUNT INSTALLATION:

1. Remove glides.
2. Set unit in position.
3. Mark hole locations.
4. Move unit to allow access for drilling holes.
5. Drill holes according to anchor manufacturer's recommendations and clear holes of debris. Refer to Fig. 1 for anchor sizing guidelines.
6. Set unit back in position and install anchors.

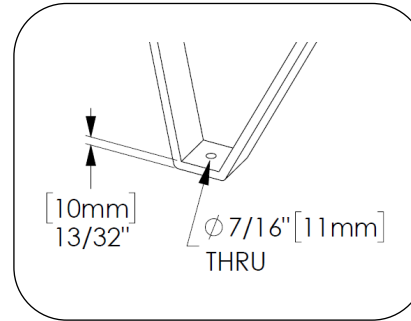


Fig. 1 – Surface mount tab detail