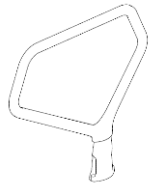
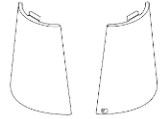


Bike Rack

Included components



1x - Frame



1x - 2pc cover plate



2x - M4 x 0.7 x 12mm
Socket button head
Cap screw with thread
patch



2x - Threaded rod
M12 x 1.75, 120mm long

EMBEDDED
OPTION



2x - M12 washer



2x - M12 x 1.75
hex nut

Tools Required

- Unit ships assembled
- 2.5mm hex key
- 19mm wrenches for embedded option
- Hammer drill with masonry bits
- For embedded mount option: chemical anchoring adhesive (Hilti HIT RE 500 or equivalent)
- For surface mount option: stainless steel anchoring hardware, (2) required per unit (not included). Landscape Forms, Inc. recommends maximum 12mm dia bolt, with a minimum embedded depth of 80mm (see Fig. 4 for bolt clearances).

WARNING! Unit must be anchored.

HANDLE WITH CARE! The finish can be scuffed by contact with tools, concrete, or other abrasive surfaces. Protect the finish from damage during installation.

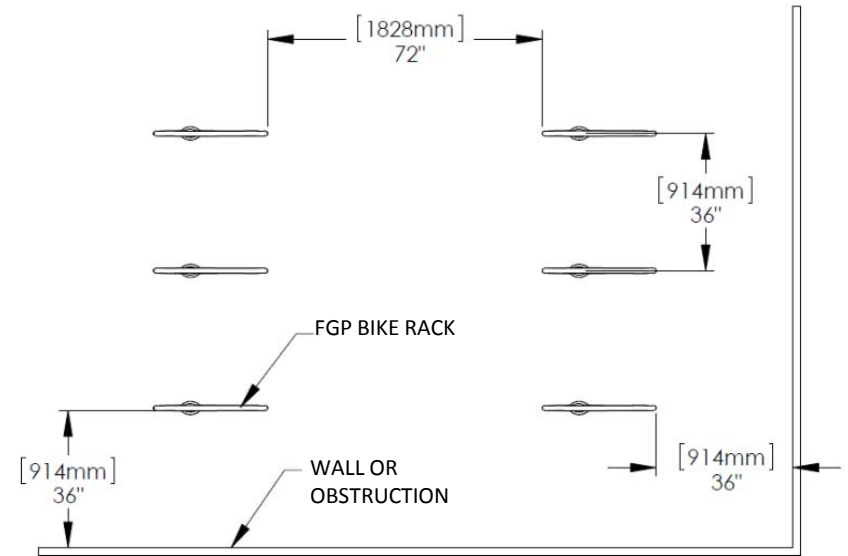


Fig. 1 - Recommended spacing, according to Association of Pedestrian and Bicycle Professionals (APBP), 2nd edition

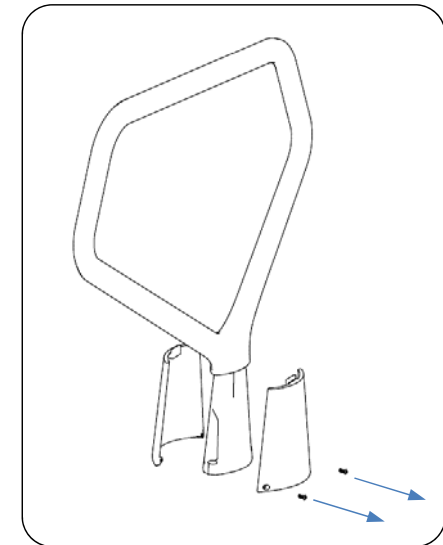


Fig. 2 - remove cover plates

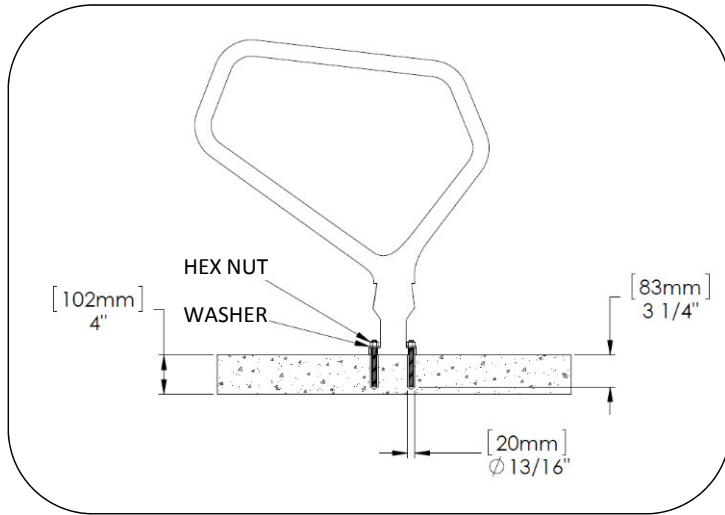


Fig. 3 – Hole size for embedded bike rack

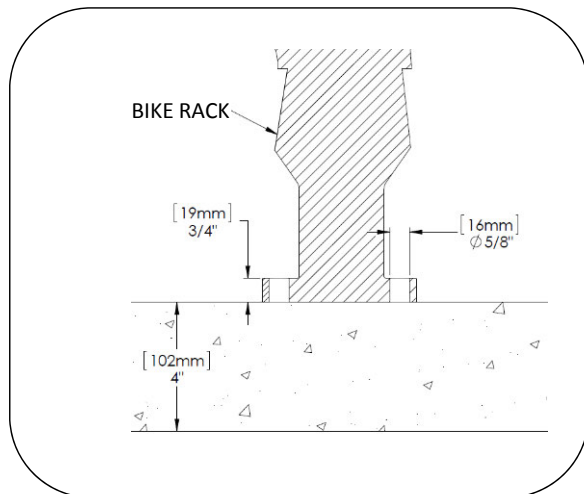


Fig. 4. – Anchor hole clearance for surface mount

INSTALLATION PROCEDURE:

WARNING! Unit must be anchored.

1. Remove cover plates. See Fig. 2. Set aside on non-marring surface. Retain the two screws used to secure the cover plates together.
2. Set bike rack in position..
3. Mark hole locations. See Fig. 1 for recommended spacing.
4. Move bike rack and drill holes. Clear debris from holes.

FOR EMBEDDED MOUNT:

1. Fill holes with adhesive to level recommended by adhesive manufacturer.
2. Set threaded rods in place and wipe away excess adhesive.
3. Test fit unit over threaded rods to ensure accurate placement.
4. Remove unit and allow adhesive to fully cure per adhesive manufacturer's recommendations.
5. Once adhesive is fully cured, set unit in position over threaded rods.
6. Install washer and hex nut as shown in Fig. 3.
7. Reinstall the cover plates.

FOR SURFACE MOUNT:

1. Set unit in place and install anchor bolts (not supplied by Landscape Forms) according to anchor manufacturer's instructions. See Fig. 4 for anchor hole clearances.
2. Reinstall the cover plates.