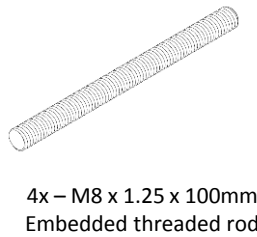
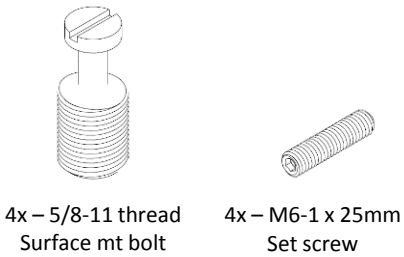


Included components (surface mount)

Included components (embedded)



Tools Required

- Hammer drill with masonry bits

For surface mount option:

- (4) zinc-plated drop-in anchors for 5/8-11 thread size, for use with Magni-coated bolts
- 3mm hex key
- Slotted screw driver

For embedded option:

- For embedded mount option: chemical anchoring adhesive (Hilti HIT RE 500 or equivalent)

**INSTALLATION PROCEDURE:**

Bench ships fully assembled. Freestanding unit can be set in place.

**FOR EMBEDDED MOUNT:**

1. Turn bench upside down on protective surface.
2. Remove four outer screws from glides as shown in Fig. 1. Leave glides installed.
3. Install four threaded rods as shown in Fig. 2.
4. Set unit in position and mark hole locations.
5. Move unit aside.
6. Drill holes according to Fig. 3. Clear holes of debris.
7. Set unit back in position, ensuring that threaded rods are not resting on the bottom of the hole. If necessary, move unit and drill holes deeper.
8. Fill holes with adhesive to level recommended by adhesive manufacturer.
9. Set unit in position. Wipe away excess adhesive before it cures.

**FOR SURFACE MOUNT:**

1. Turn bench upside down on protective surface.
2. Install surface mount bolts and set screws as shown in Fig. 4.
3. Set unit in position and mark hole locations.
4. Move unit aside. Remove surface mount bolts and set screws.
5. Drill holes according to concrete anchor manufacturer's recommendations.
6. Clear holes of debris.
7. Install concrete anchors (not included).
8. Install surface mount bolts into concrete anchors.
9. Set bench in position over surface mount bolts.
10. Install set screws as shown in Fig. 5.

**HANDLE WITH CARE!** The finish can be scuffed by contact with tools, concrete, or other abrasive surfaces. Protect the finish from damage during installation.

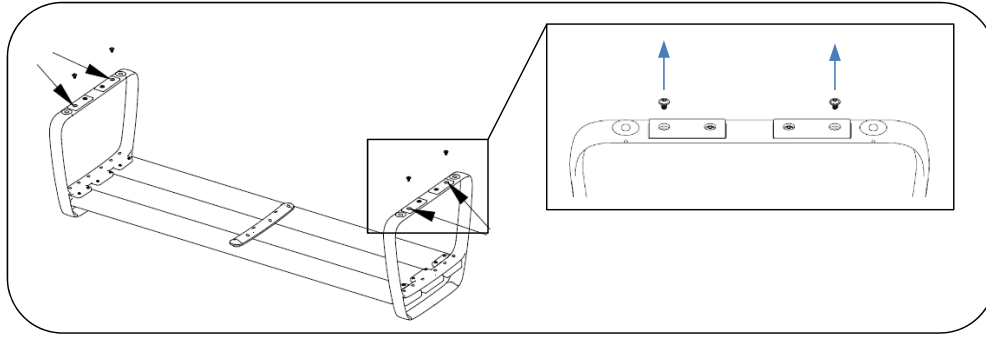


Fig. 1 – Remove screws for threaded rod install

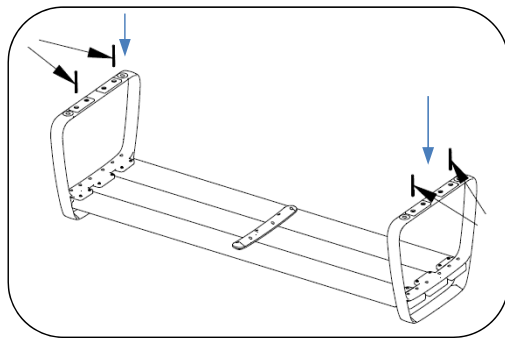


Fig. 2 – Install threaded rods

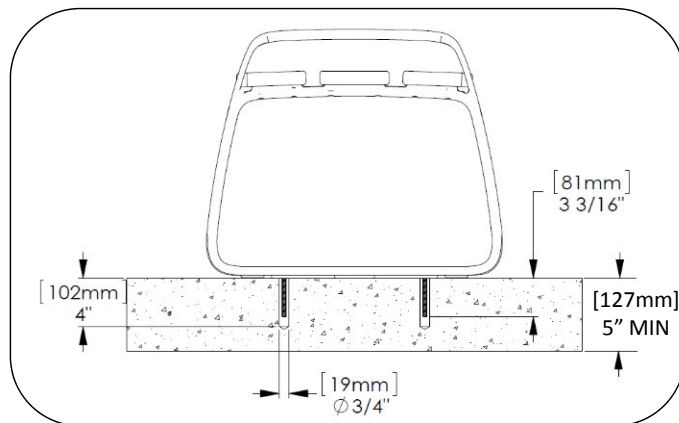


Fig. 3 – Embedded section detail for holes

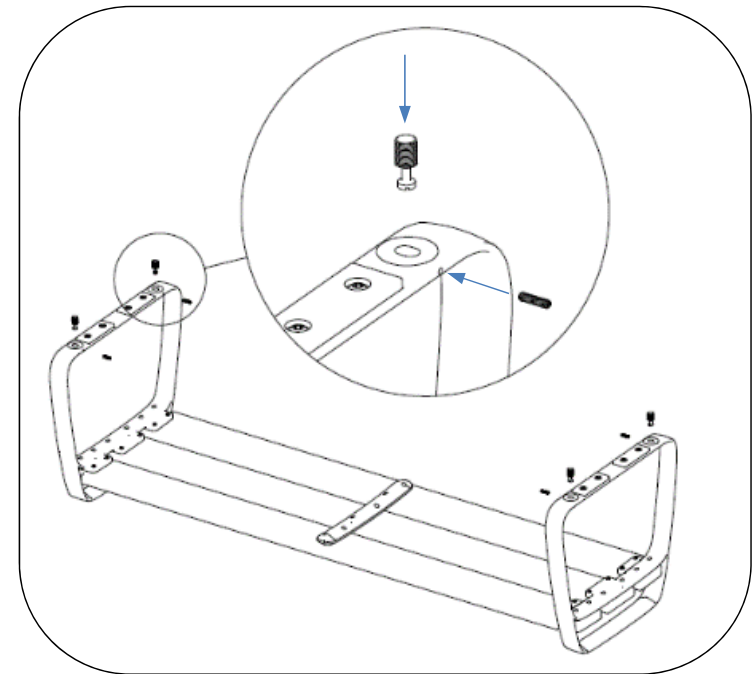


Fig. 4 – Install surface mount bolts and set screws

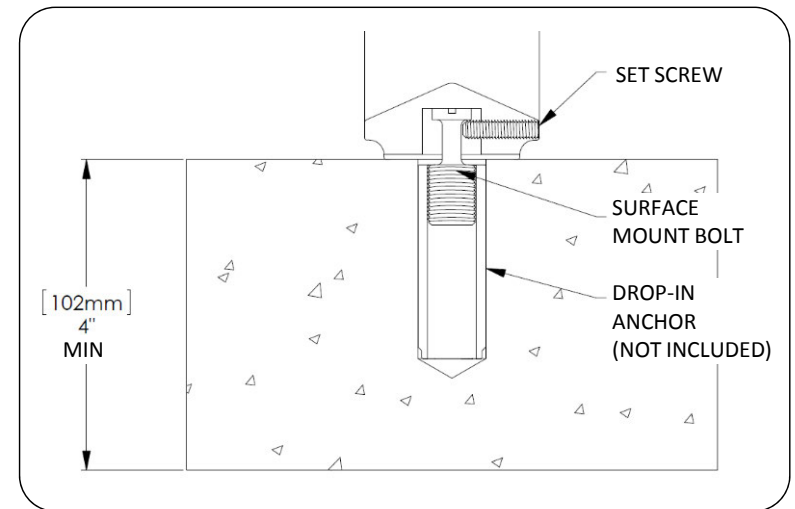


Fig. 5 – Surface mount bolt section view