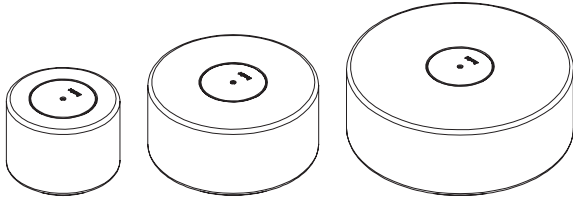


SOC



Units include (3) M12 x 140mm bolts for anchoring.
Units must be anchored

Tools Required:

- Crane or proper equipment to move 493 lbs to 2383 lbs
- Non-Marring Straps
- Wrench, 24mm
- Chemical Anchoring Adhesive
- Hammer drill with Ø12 dia x 140mm masonry drill bit

NOTE: Items will deliver on pallets in closed freight containers. Appropriate equipment will be required to offload from a closed container. Flatbed delivery is possible upon request and for an additional charge. Strapping is indicated as a method of placing the item on the project site.

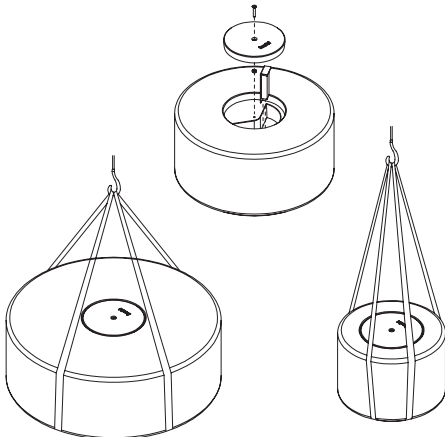


Fig. 1 Crane Install - Strap Locations (anchored)

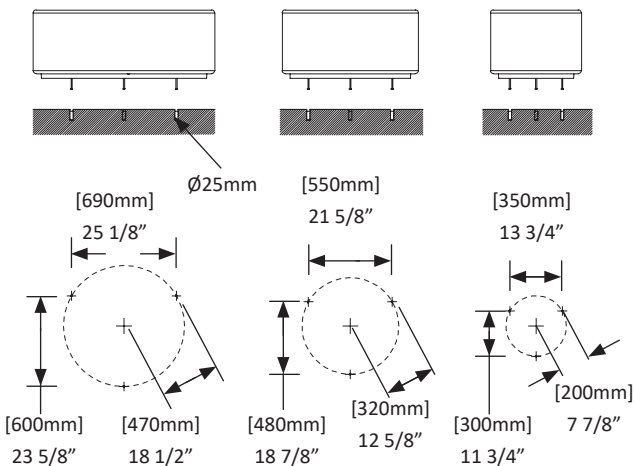


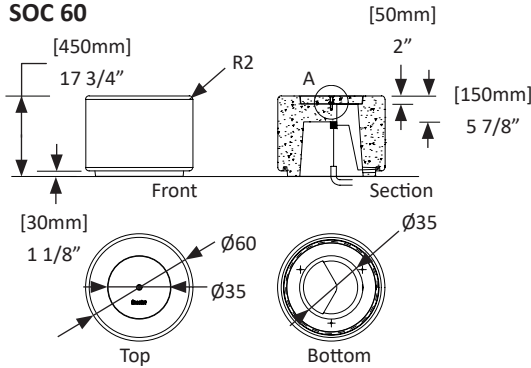
Fig.2 - Hole locations

Installation (must be anchored)

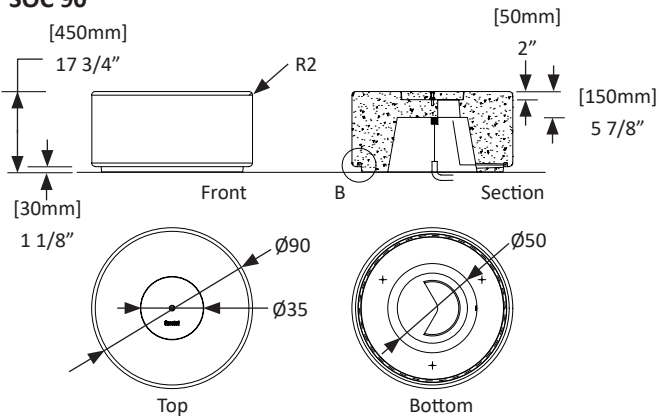
1. Determine placement of Bench.
2. Set in place with proper equipment such as a crane. See Fig. 1
2. Mark hole locations.
3. Drill holes according to Fig. 2.
4. Lift unit and install M12 x 140mm bolts (Qty 3). Thread in until tight.
5. Fill holes with chemical anchoring adhesive
6. Lower unit over holes.
7. Caulk around entire bench foot bottom of the bench.

Configurations

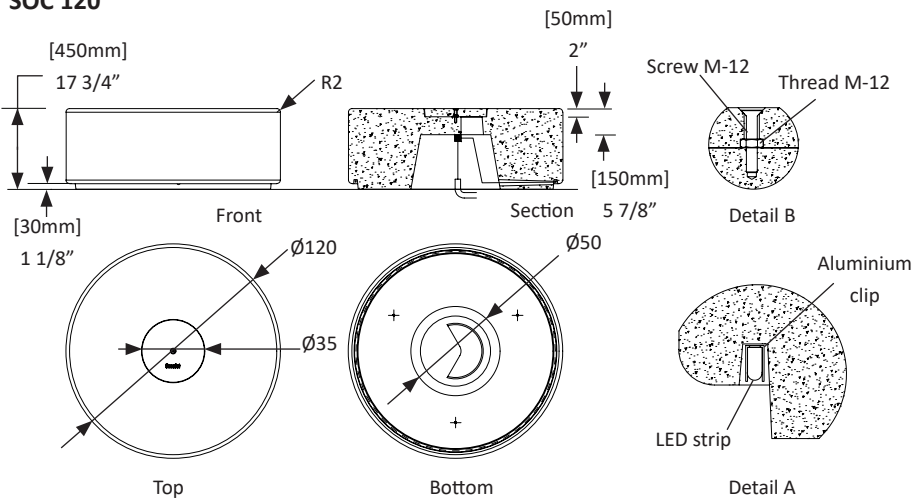
SOC 60



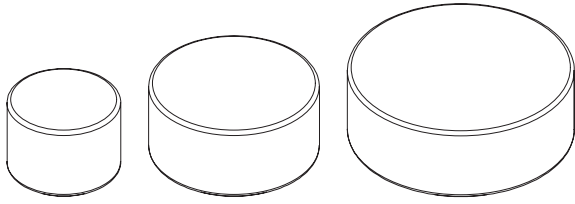
SOC 90



SOC 120



SOC MONOBLOC



Units include (3) M12 x 140mm bolts for anchoring.
Units must be anchored

Tools Required:

- Crane or proper equipment to move 493 lbs to 2383 lbs
- Non-Marring Straps
- Wrench, 24mm
- Chemical Anchoring Adhesive
- Hammer drill with $\varnothing 12$ dia x 140mm masonry drill bit

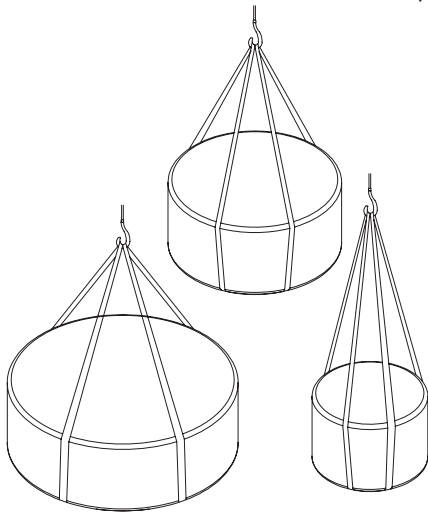


Fig. 1 Crane Install - Strap Locations (anchored)

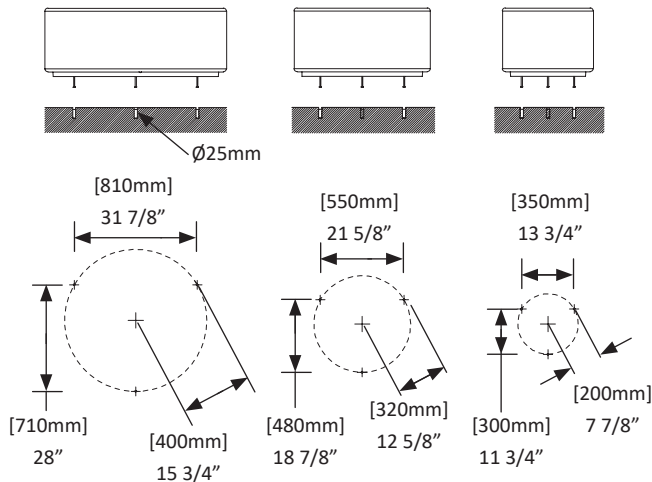


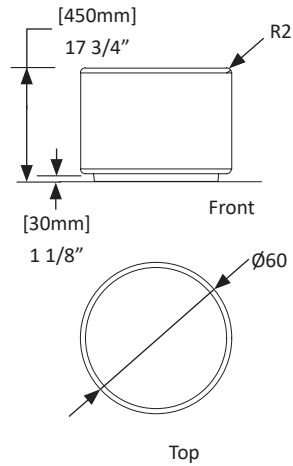
Fig. 2 - Hole locations

Installation (must be anchored)

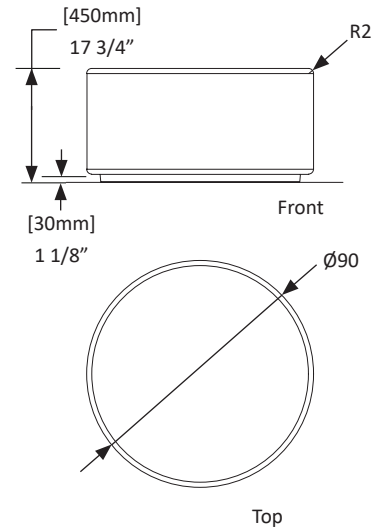
1. Determine placement of Bench.
2. Set in place with proper equipment such as a crane. See Fig. 1
2. Mark hole locations.
3. Drill holes according to Fig. 2.
4. Lift unit and install M12 x 140mm bolts (Qty 3). Thread in until tight.
5. Fill holes with chemical anchoring adhesive
6. Lower unit over holes.
7. Caulk around entire bench foot bottom of the bench.

Configurations

SOC-M 60



SOC-M 90



SOC-M 120

