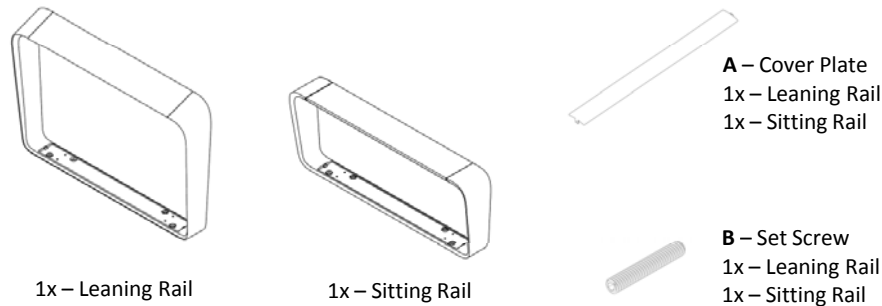


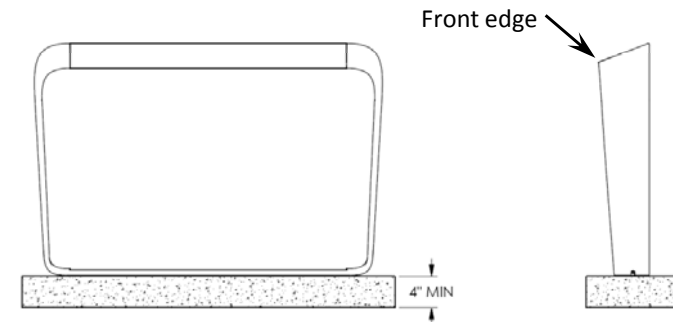
Included components



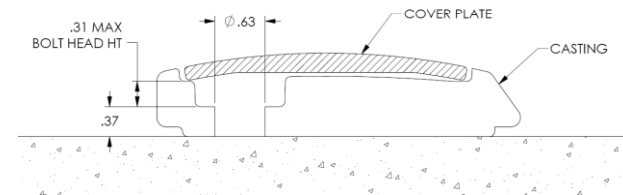
Tools Required

- Safety glasses
- 1/8" Hex key wrench
- 3/16" Hex key wrench
- Hammer drill with 1/2" diameter masonry bits
- Socket wrench or hammer for anchoring hardware
- Blanket or other padded material, for protecting powdercoat finish
- Stainless steel anchoring hardware, (4) required per unit (not included).
Landscape Forms, Inc. recommends maximum 1/2" dia bolt, with a minimum embedded depth of 3" (see section view of anchoring hole for clearances).

ASSEMBLE WITH CARE! Pangard II® Polyester Powdercoat is a strong, long-lasting finish. To protect this finish during assembly, place unwrapped powdercoated parts on packaging foam or other non-marring surface. Do not place or slide powdercoated parts on concrete or other hard or textured surface – this will damage the finish causing rust to occur. Use touch-up paint on any gouges in the finish caused by assembly tools.



Recommended concrete slab:
Reinforced concrete, minimum rating 3000 PSI



Section view of anchoring hole

Installation:

WARNING! Units must be surface mounted.

1. Place unit in position and mark the hole locations.
2. Set unit aside and drill holes according to the anchor manufacturer's recommendations. Clear holes of debris.
3. Install set screw (**B**) in one end of the unit. Allow for access to set screw once unit has been installed.
4. Move unit back in place and install anchor bolts according to anchor manufacturer's recommendations. **Do not fully tighten at this time.**
5. Using the 3/16" hex wrench, adjust the (4) leveling glides to level and plumb the unit (see Figures 1, 4).
6. Fully tighten the anchor hardware per the manufacturer's recommendations. Anchor hardware should not interfere with cover plate once installed.
7. Install cover plate (**A**) by inserting tab end into base casting at the opposite end of the set screw location (see Figure 2).
8. Using a 1/8" hex wrench, tighten set screw until cover plate is fully engaged (see Figures 3, 4).

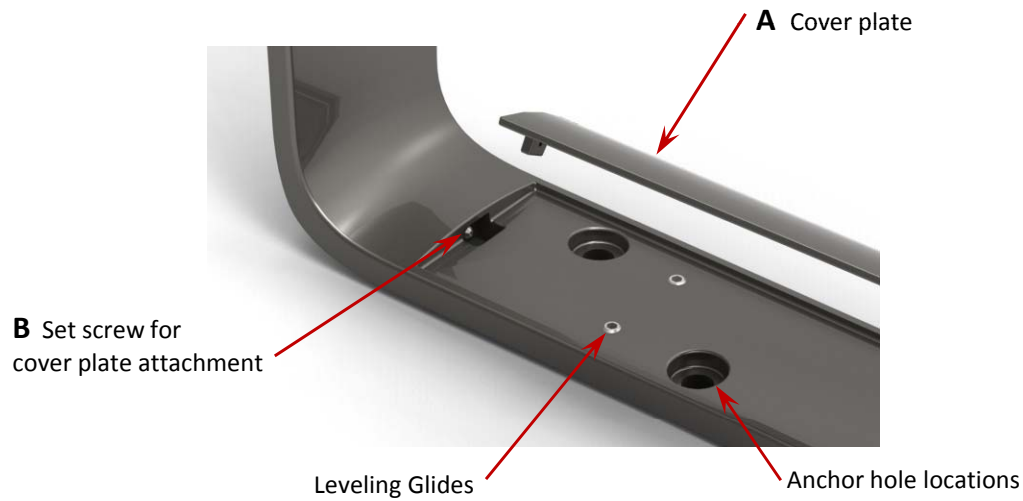


Figure 1



Figure 2. Tab end of cover plate, inserted in end opposite of set screw

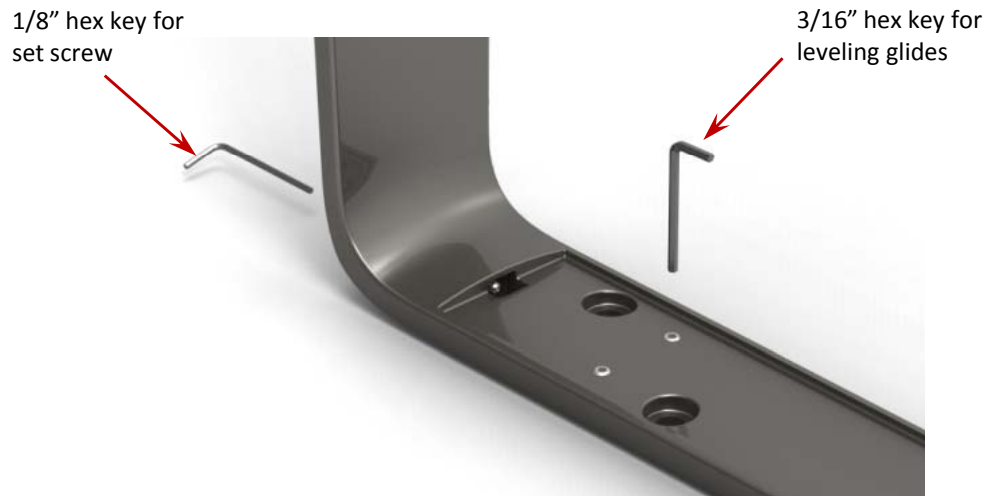


Figure 3



Figure 4. End view of set screw, for securing cover plate