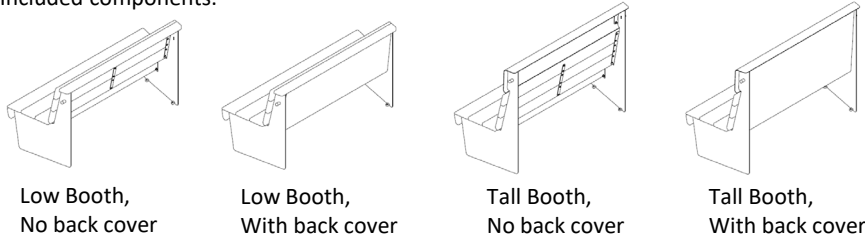


Included components:



Tools required for optional surface mounting:

- Safety glasses
- (4) non-corrosive anchors, maximum  $\varnothing 3/8''$  size

**ASSEMBLE WITH CARE!** Pangard II® Polyester Powdercoat is a strong, long-lasting finish. To protect this finish during assembly, place unwrapped powdercoated parts on packaging foam or other non-marring surface. Do not place or slide powdercoated parts on concrete or other hard or textured surface – this will damage the finish causing rust to occur. Use touch-up paint on any gouges in the finish caused by assembly tools.

INSTALLATION:

**Note:** Unit ships fully assembled with glides installed. Freestanding unit can be set in place.

SURFACE MOUNT:

1. Tip unit onto protective padding. Remove glides.
2. Set unit in position. Mark hole locations. Dimensions given in Fig. 1 are for reference only and should not be used to locate anchors.
3. Move unit out of position. Drill holes according to anchor manufacturer's recommendations. Anchors should include enough length for thickness of surface mount tab, see Fig. 2. Maximum washer diameter (if used) is 1".
4. Clear holes of debris.
5. Move unit back into position and install anchors.

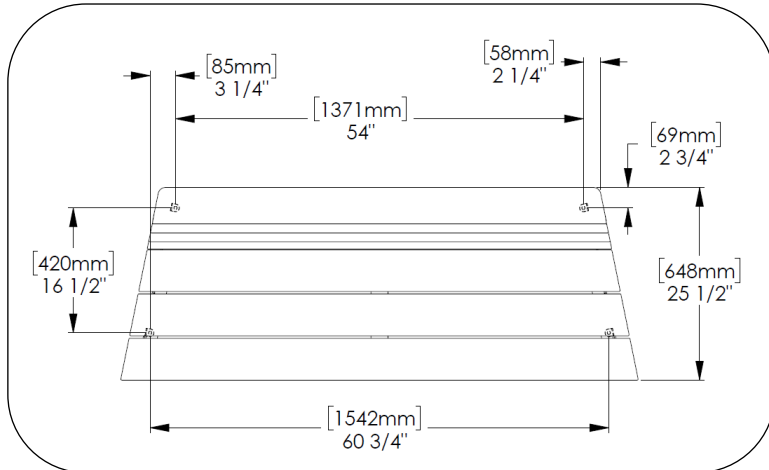


FIG. 1 – ANCHOR TAB LOCATIONS – PLAN VIEW FOR REFERENCE ONLY

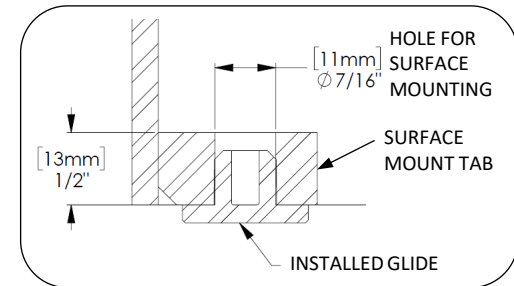


FIG. 2 – ANCHOR TAB SECTION