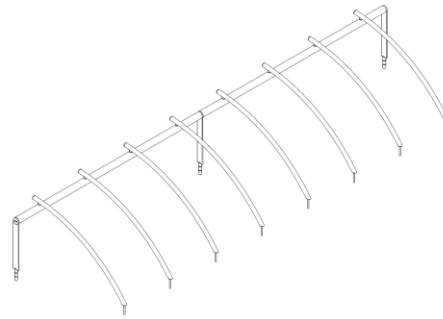
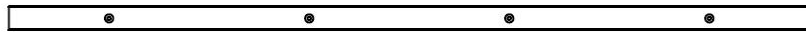


Bicilinea Bike Rack, 10ft length



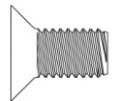
Bicilinea Bike Rack, 20ft length

Included components



A

1x - 10ft
2x - 20ft



C

4x - 10ft
8x - 20ft



D

4x - 10ft
8x - 20ft



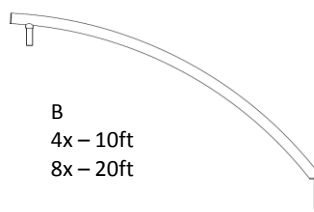
E

2x - 10ft
2x - 20ft



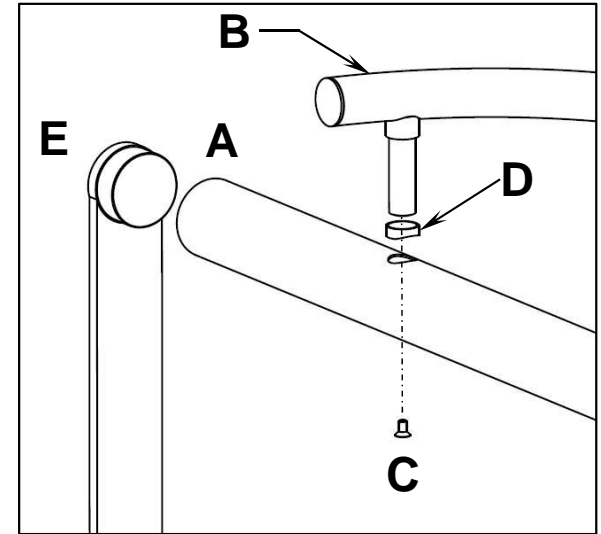
F

1x - 20ft

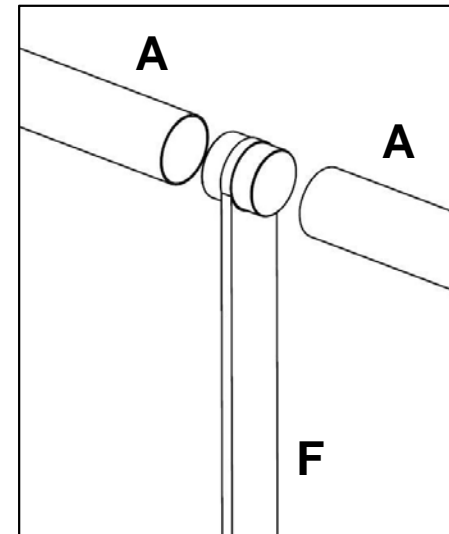


B

4x - 10ft
8x - 20ft



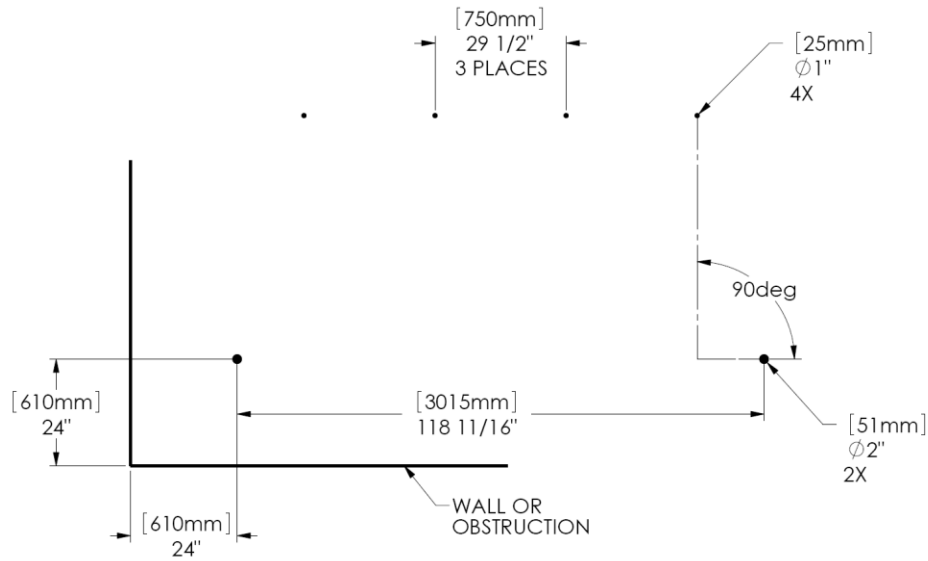
End support, 10ft and 20ft lengths
Curved tube connections, 10ft and 20ft lengths



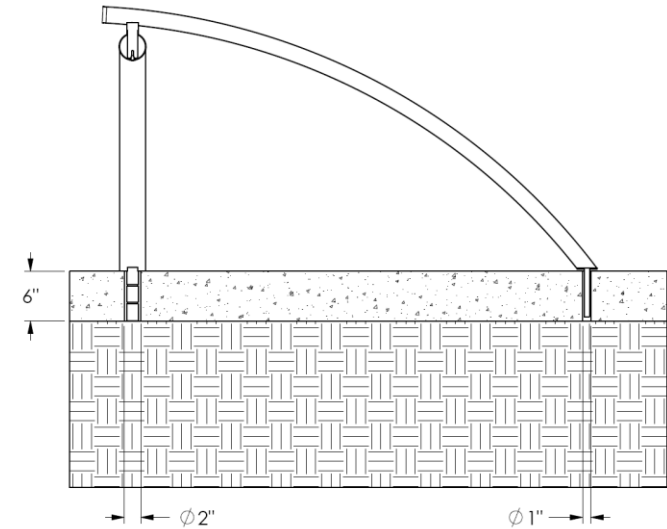
Connecting Support, 20ft length only

Tools Required

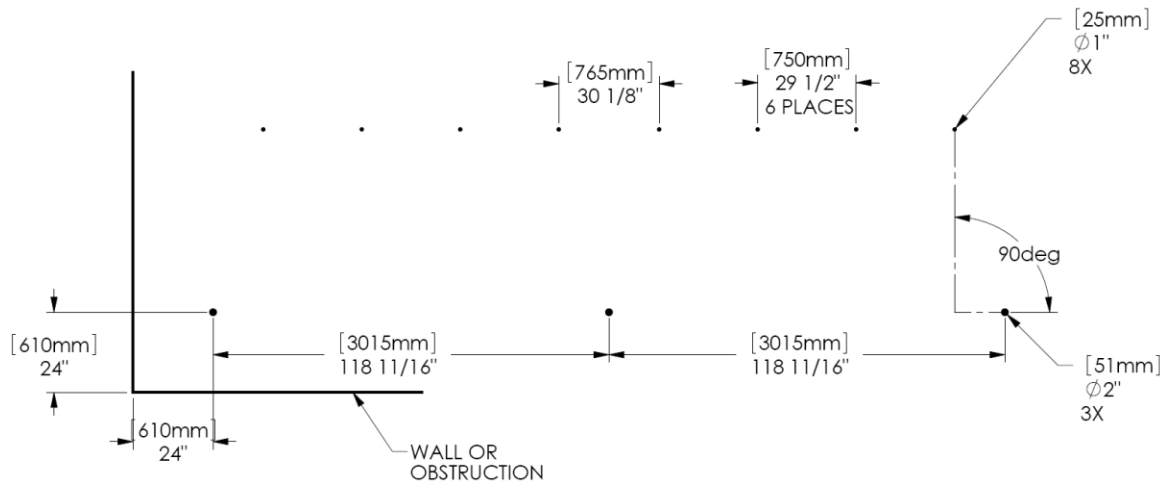
- Safety glasses
- M5 Hex key wrench
- Adhesive anchoring system. Powers Fasteners AC100 PLUS™ or Hilti HIT RE 500 are recommended.
- Hammer drill with 2" and 1" dia bits



Bicilinea Bike Rack, 10ft length



Side Elevation, showing core drill sizes



Bicilinea Bike Rack, 20ft length

INSTALLATION:

NOTE: This product requires a level grade for proper installation.

1. Assemble unit in place and mark hole locations.
2. Move unit and drill holes.
3. Set unit in place, using adhesive anchoring system. Powers Fasteners AC100 PLUS™ or Hilti HIT RE 500 are recommended. Follow the manufacturer's instructions for dispensing adhesive.