

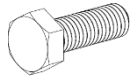


Surface Mount

Included items:



1x – Light assembly



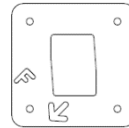
2x – M8 x 25mm hex head cap screw



2x – M8 washer



2x – M4 x 14mm button head cap screw



1x – anchor template

Hardware ships installed on unit

Tools Required

- Safety glasses
- Wiring tools and connectors
- Anchoring hardware – (4) Ø5/16 [8mm] (maximum), with bolt head and washer not to exceed dimensions in Fig. 3. Maximum washer O.D. is 0.734".
- Hammer drill
- 13mm ratchet wrench
- 2.5mm hex key

LIGHTING LAYOUT RECOMMENDATIONS:

Refer to the Product Data Sheet

ASSEMBLE WITH CARE! Pangard II® Polyester Powdercoat is a strong, long-lasting finish. To protect this finish during assembly, place unwrapped powdercoated parts on packaging foam or other non-marring surface. Do not place or slide powdercoated parts on concrete or other hard or textured surface – this will damage the finish causing rust to occur. Use touch-up paint on any gouges in the finish caused by assembly tools.

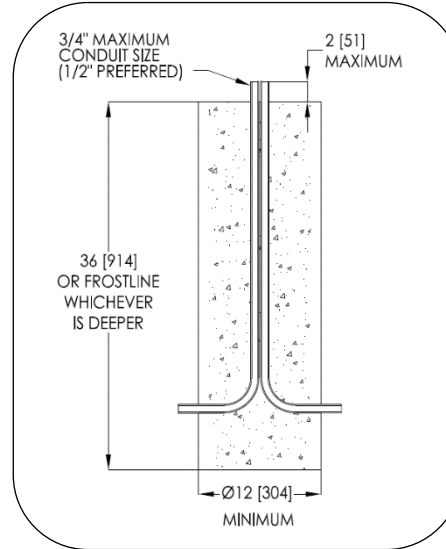


Fig. 1 – Minimum footing recommendation

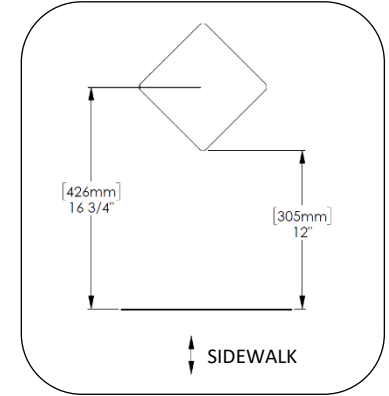


Fig. 2 – Recommended setback from sidewalk

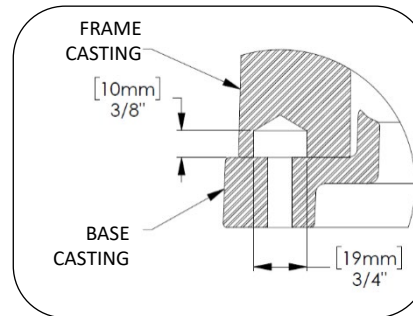


Fig. 3 – Base plate section view

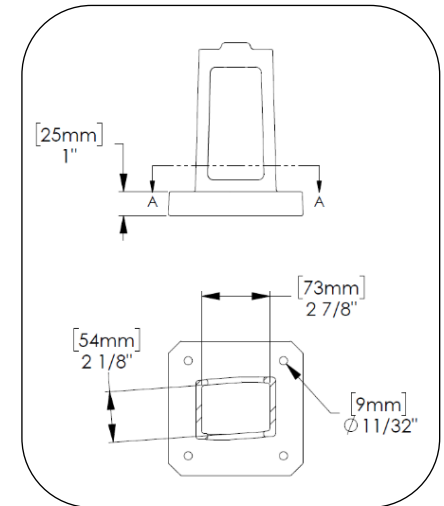


Fig. 4 – conduit clearance

Landscape Forms is not responsible for site preparation and footings. Footing recommendations are included in these instructions.

INSTALLATION PROCEDURE FOR PATHLIGHT:

1. Prepare footing as required by local codes, see Fig. 1 and Fig. 2 for recommendations.
2. Set wooden anchor template in position over conduit. 'F' on the template indicates the Front of the unit. Make sure the 'F' faces up.
3. Mark four anchor hole locations and remove the template.
4. Drill holes according to anchor size and depth. Clear holes of debris.
5. Using the 2.5mm hex key, remove two screws to remove cabinet cover as shown in Fig. 5.
6. Using the 13mm ratchet wrench, remove the two screws that attach the unit frame to the base plate, as shown in Fig. 6.
7. Set base plate in position, ensuring that base sits flat on concrete, and install anchors according to anchor manufacturer's recommendations. The base plate is marked to indicate the front of the unit.
8. Set unit body over base plate, see Fig. 8. Attach using two screws as shown in Fig. 6.
9. Make wiring connections.
10. Install cabinet cover as shown in Fig. 5.

WARNING!: LED cartridge and driver are not rated for connection or disconnection while energized. Doing so may damage LEDs and will void the warranty. Disconnect incoming power before making or breaking any electrical connections.

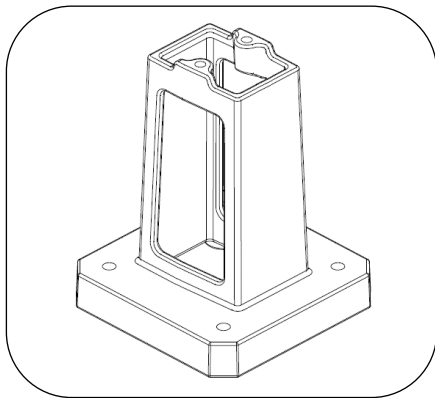


Fig. 7 – Base plate

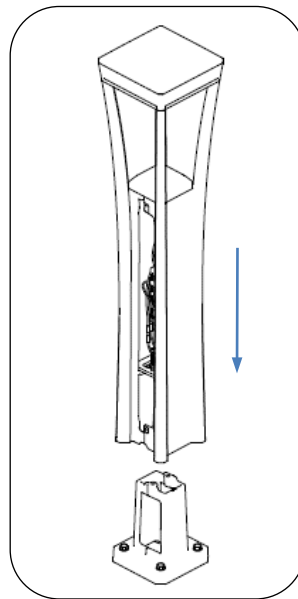


Fig. 8 – Install unit body over installed base plate



Fig. 5 – Remove access panel

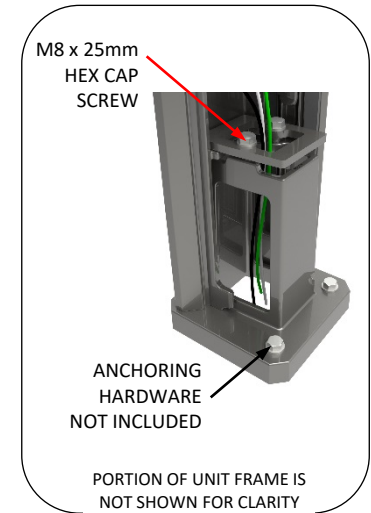


Fig. 6 – Remove/install base to body

PROCEDURE FOR WIRING ASHBERY PATHLIGHT:

The Ashbery path light is assembled at the factory. The light cartridge is mounted into the head of the pole and will not need to be removed during installation. The LED cartridge is wired to the driver (located in the cabinet) at the factory.

The following schematics are to be used to connect the unit to line voltage. It is the responsibility of the installer to make sure that all connections are made in accordance with the NEC and local building codes. Connection hardware not included.

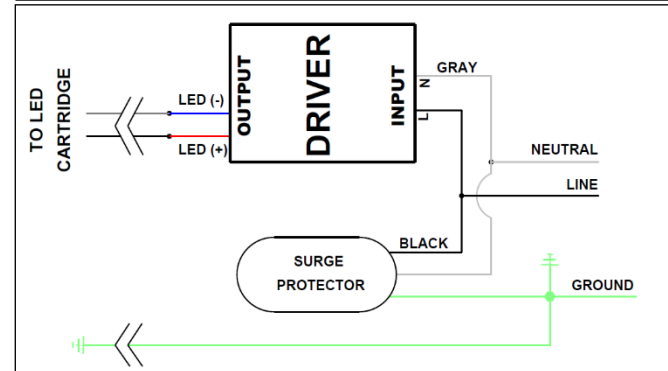


Fig. 9 – Ashbery Pathlight wiring schematic